

800-743-0772

www.shoprider.com

Seating by:



Client:

Account Number:

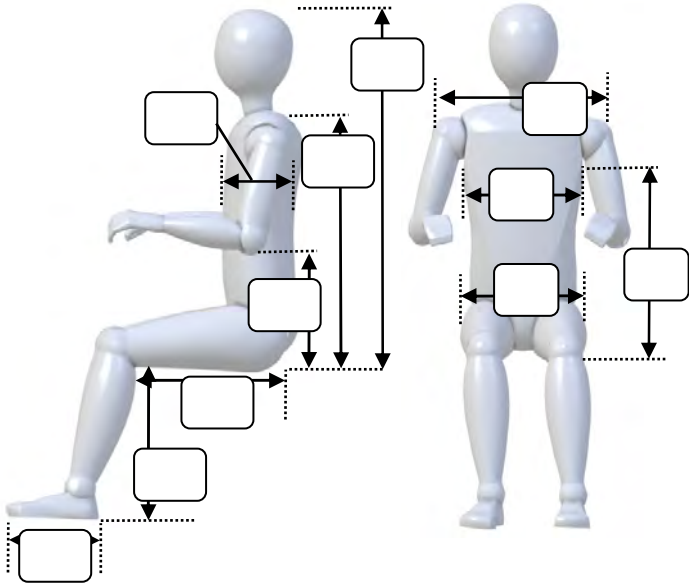
Shipping Address:

Mark For:

ATP:

PO#:

Patient Dimensions



Chair Manuf.

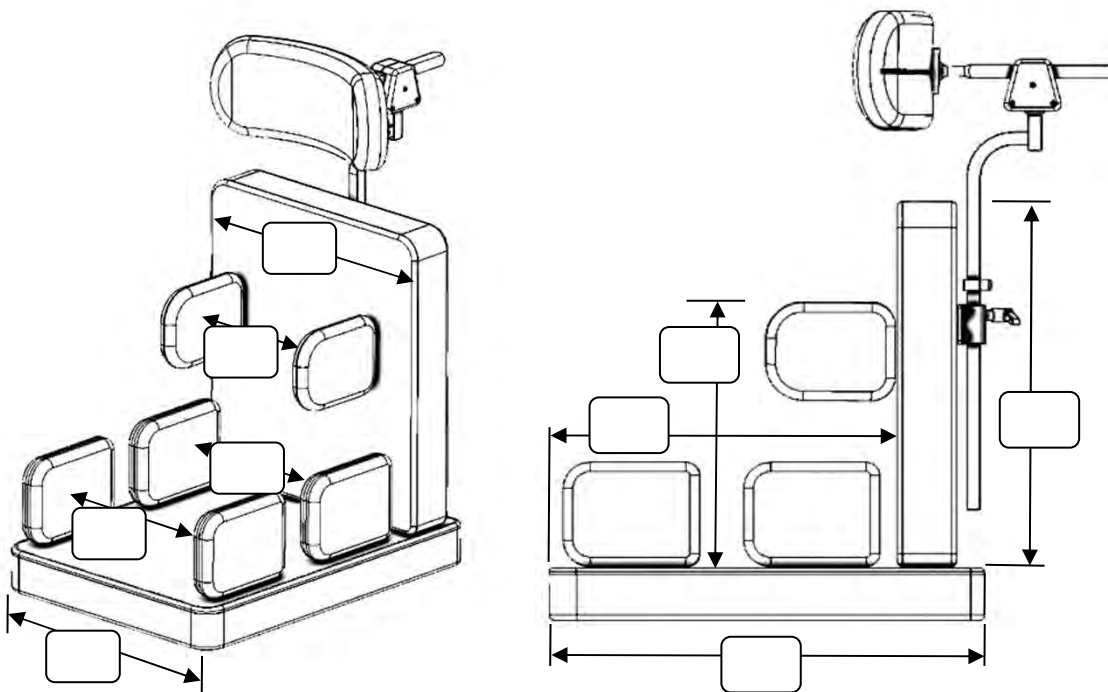
Chair Model

Chair Width

Chair Depth

- No Assembly
- Include Assembly

Seat Dimensions



Monogram Style

N/C

Monogram Text

Light green rectangular box for monogram text input.

Monogram Color

N/C

Fabric Color and Type

N/C

Contact Selection

Non-Contact Selection

Design Custom Seat

Choose Seat Fit

- Drop In Seat (Equals Chair width minus 2.75")
- Full Width Seat

Choose Seat Type E2609

- 71046 Seat including Base, Foam & Cover \$529
- 71055 Base Only \$529
- 71047 Cushion Only (includes hook and loop) \$529
- 71072 Vinyl covered base with separate cushion \$798

Select for Transit (Please select Seat Type First)

- 72054 Transit Seat (Must select Transit seat hdwr)

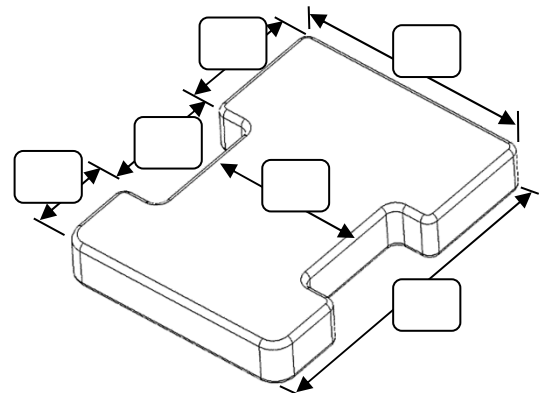
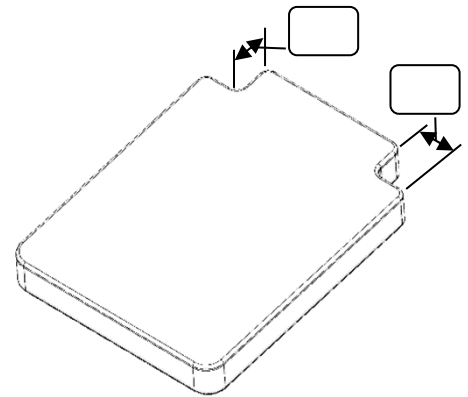
Select Shape Modifications

Back Post Notch

- 71085 Growth Notches on base only (Hidden) \$0
- 71009 Growth Notches on base & seat \$93

I Shape

- 71026 I Seat Modification \$116



Asymmetrical Shape

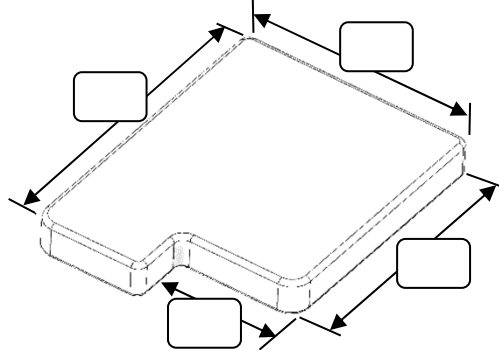
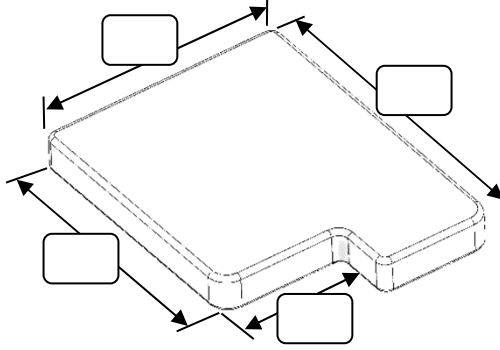
71008 Asymmetrical Seat \$105

Right Leg Shortened (use diagram below)

Include T-Nuts for Medial Thigh Support

Left Leg Shortened (use diagram below)

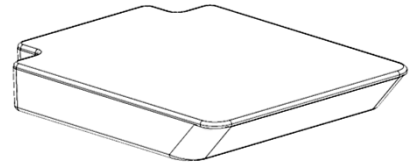
Include T-Nuts for Medial Thigh Support



Hamstring Relief

72060 Extended Foam \$116

72061 Shortened Base \$116



Extended Foam



User Seat Depth PLUS 2" Foam Extended Out Front

Shortened Base



User Seat Depth Cut Back 2"

Select Contour Modifications

Anti-Thrust Seat

71027 Anti-Thrust Seat \$93

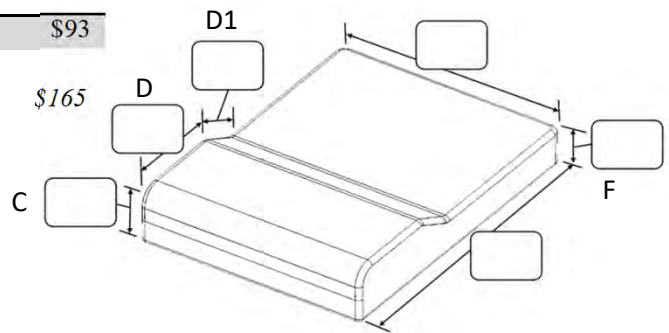
72065 Add Depth Adjustability to Contour \$165
Standard contours

Shallow Contour (1/2" Riser; C=2, F= 1.5) - provide D & D1

Medium Contour (1" Riser; C=2.5, F= 1.5)- provide D & D1

Deep Contour (1 1/2" Riser C=3 F= 1.5)- provide D & D1

Custom - provide dimensions on diagram



Contoured Seats

71028 Contoured Seat With Leg Wells: \$192

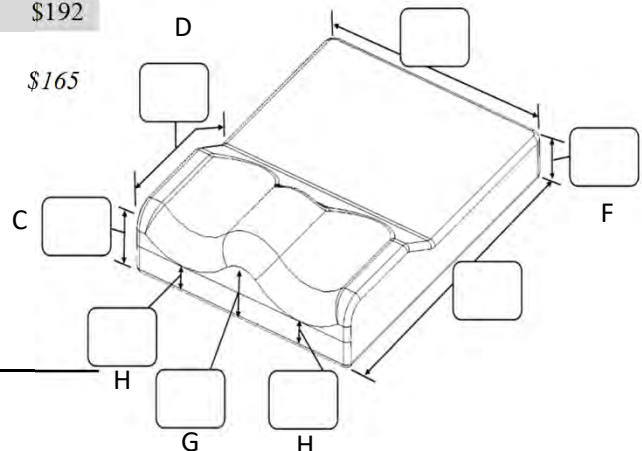
72065 Add Depth Adjustability to Contour \$165
Standard contours

Shallow (1/2" Riser/1/2" wedge; C=2.5, F= 1.5, G=2, H=2.5) - provide D

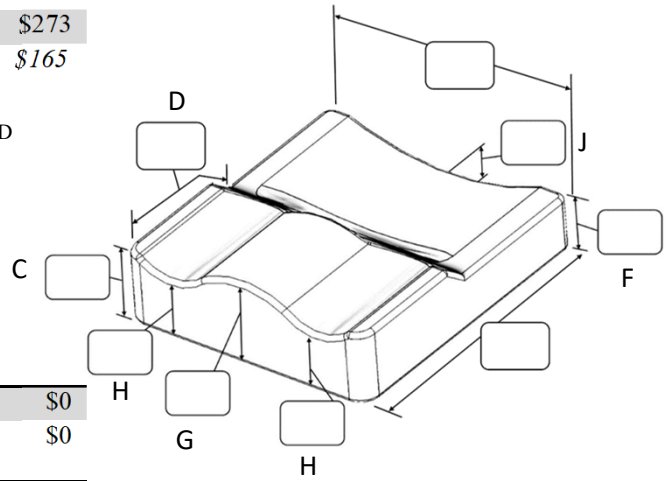
Medium (1" Riser/1/2" wedge; C=3, F= 1.5, G=2.5, H=3) - provide D

Deep (1" Riser/1" wedge; C=3.5, F= 1.5, G=2.5, H=3.5) - provide D

Custom - provide dimensions on diagram



- 71029 Contoured Seat With Leg and Pelvic Wells: \$273
 - 72065 Add Depth Adjustability to Contour \$165
- Standard contours**
- Shallow (1/2" Riser/1/2" wedge; C=2.5, F= 2, G=2, H=2.5, J-1.5) - provide D
 - Medium (1" Riser/1/2" wedge; C=3, F= 2, G=2.5, H=3, J-1.5) - provide D
 - Deep (1" Riser/1" wedge; C=3.5, F= 2.5, G=2.5, H=3.5, J=11.5) - provide D
 - Custom - provide dimensions on diagram



Foam Modifications

Standard Foam

- Standard Foam: 1" soft over 1" medium (visco) \$0
- Standard Contoured Foam: 1/2" soft over 1" medium \$0
- 72062 Use Poly Foam Instead of Visco Foam \$0
 - 1/2"
 - 1"
 - 1 1/2"
 - 2"

Additional Foam

- 71016 Additional 1/2" Visco Foam \$79
 - XX-Soft T-Foam
 - X-Soft
 - Soft
 - Medium
 - 71017 Additional 1" Visco Foam \$116
 - XX-Soft T-Foam
 - X-Soft
 - Soft
 - Medium
 - 71018 Additional 1/2" Pudgee Type Visco Foam \$192
 - 71019 Additional 1" Pudgee Type Visco Foam \$247
 - 71020 1/2" Gel Overlay, Flat \$247
 - 71095 1/2" Gel Overlay, Cubed \$279
- * note if gel is greater than 18x18 additional charges apply*

Foam Modification

- 71032 Mushroom Foam for Seat \$247

Custom Foam Layering

Top Layer

Middle Layer

Bottom Layer

*All foam up to 2" total thickness is included in base price of seat. Cost for custom foams is **only** applied when total thickness is greater than 2"*

Cover Modifications

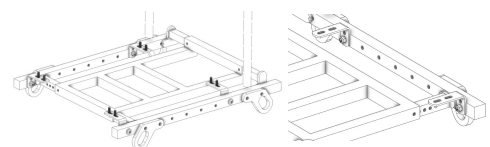
Cover Modifications

- 71023 2" Hook-n-Loop Strips, sewn, pair \$93
- 50252 Shower Cap Seat Cover \$275
- 50252 Additional Cover for Seat (Identical cover) \$275
- 72056 Dureflex Liner (Seat) \$69

Hardware

Mounting Hardware Shoprider

- 35100 Shoprider Mounting Hardware \$185



Design Custom Back

Back Fabric Color and Type

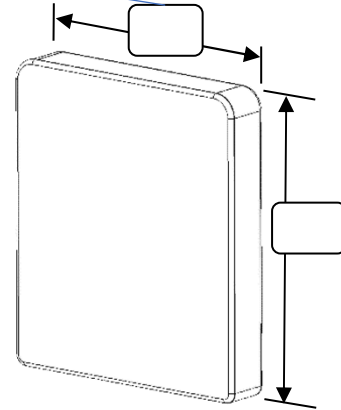
N/C

Contact

Non-Contact

This dimension reduced by 2.75" if "Drop In Back" is selected

R Back Dimensions (synchronized with diagram on page 1)



Choose Back Fit

- Drop In Back (Equals Chair width minus 2.75")
- Full Width Back (Same as wheelchair width)

- 71013 Custom T Back Dimensions
select box above and input dimensions

Choose Back Type and Shape E2609

Base Foam and Cover - This is the most common back

- 71051 Rectangular Back including Base, Foam & Cover \$529
- 71052 T Back including Base, Foam & Cover \$529
- 71036 I Back including Base, Foam & Cover \$529

Base Only (Covered) - Plywood base no foam

- 71077 Rectangular Back Base Only \$529
- 71078 T Back Base Only \$529
- 71056 I Back Base Only \$529

Cushion Only (Covered) - No Plywood base

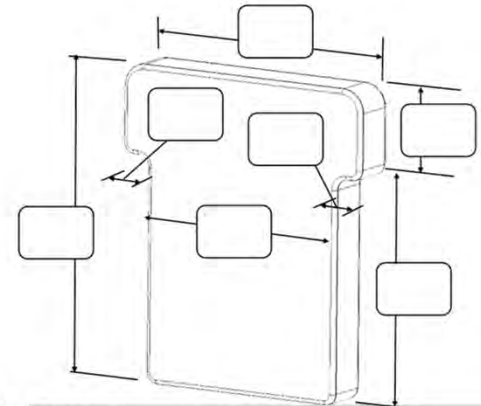
- 71080 Rectangular Cushion Only \$529
- 71081 T Back Cushion Only \$529
- 71079 I Back Cushion Only \$529

Vinyl Covered Base with Separate Cushion (Covered)

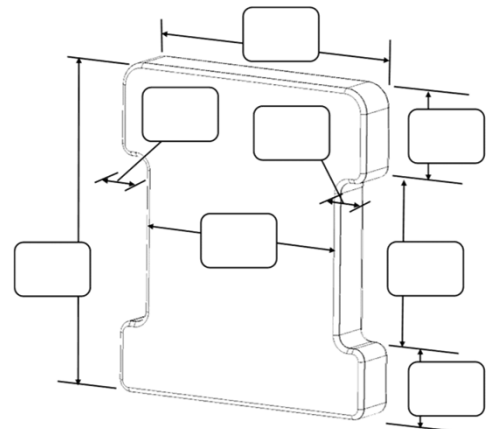
- 71075 Rectangular Base with Vinyl cover and Cushion \$798
- 71076 T Back Base with Vinyl cover and Cushion \$798
- 71073 I Back Base with Vinyl cover and Cushion \$798

Select for Transit (Please select Back Type)

- 72055 Transit Seat (Must select Transit seat hdwr)



- 71011 Custom I Back Dimensions
select box above and input dimensions



Select Contour Modification

Curved Back Modification (Base is curved)

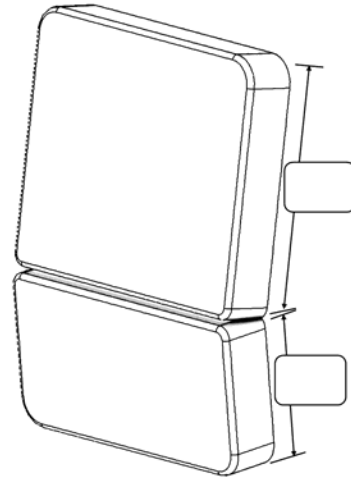
- 70169 Modify Rectangular Back for Curved Base \$205
- 70167 Modify T Back for Curved Base \$263
- 70166 Modify I Back for Curved Base \$278

Contoured (Curved) Foam Modification (Base is flat)

<input type="checkbox"/>	71002	Modify with 1/2" Contour	\$79
<input type="checkbox"/>	71003	Modify with 1" Contour	\$116
<input type="checkbox"/>	71004	Modify with Full Contour	\$126

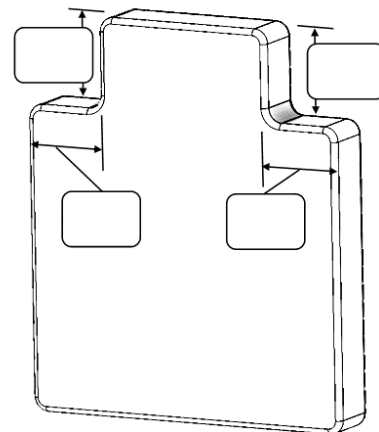
Bi-Angular Back

<input type="checkbox"/>	71050	Bi-Angular Back Modification	\$402
--------------------------	-------	------------------------------	-------



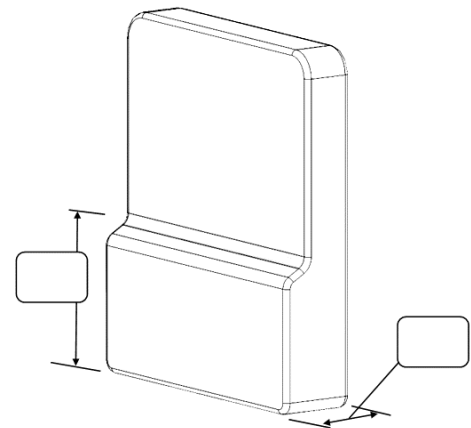
Scapular Relief (Cutouts)

<input type="checkbox"/>	71035	Scapular Relief Modification	\$158
--------------------------	-------	------------------------------	-------



Sacral Buildup

<input type="checkbox"/>	72059	Sacral Buildup Modification	N/C
--------------------------	-------	-----------------------------	-----



Foam Modifications

Standard Foam

<input type="checkbox"/>		Standard Foam: 1 1/2" soft (visco)	\$0
<input type="checkbox"/>	72062	Use Poly Foam Instead of Visco Foam	\$0

- 1/2"
- 1"
- 1 1/2"
- 2"

Additional Foam

- | | | | |
|--------------------------|--------------------------|--|-------|
| <input type="checkbox"/> | 71016 | Additional 1/2" Visco Foam | \$79 |
| | <input type="checkbox"/> | XX-Soft T-Foam | |
| | <input type="checkbox"/> | X-Soft | |
| | <input type="checkbox"/> | Soft | |
| | <input type="checkbox"/> | Medium | |
| <input type="checkbox"/> | 71017 | Additional 1" Visco Foam | \$116 |
| | <input type="checkbox"/> | XX-Soft T-Foam | |
| | <input type="checkbox"/> | X-Soft | |
| | <input type="checkbox"/> | Soft | |
| | <input type="checkbox"/> | Medium | |
| <input type="checkbox"/> | 71018 | Additional 1/2" Pudgee Type Visco Foam | \$192 |
| <input type="checkbox"/> | 71019 | Additional 1" Pudgee Type Visco Foam | \$247 |
| <input type="checkbox"/> | 71020 | 1/2" Gel Overlay, Flat | \$247 |
| <input type="checkbox"/> | 71095 | 1/2" Gel Overlay, Cubed | \$279 |
- * note if gel is greater than 18x18 additional charges a,*

Foam Modifications

- | | | | |
|--------------------------|-------|--------------------------------------|-------|
| <input type="checkbox"/> | 71032 | Mushroom Foam for Back | \$247 |
| <input type="checkbox"/> | 71074 | Grid Foam, 2" | \$378 |
| <input type="checkbox"/> | 71091 | Grid Foam, 3" | \$415 |
| <input type="checkbox"/> | 50224 | 1/2 Unit Foam In Place Kit (w/bag) | \$110 |
| <input type="checkbox"/> | 50226 | 1 Unit Foam In Place Kit (w/bag) | \$219 |
| <input type="checkbox"/> | 50228 | 1 1/2 Unit Foam In Place Kit (w/bag) | \$274 |

Standard foam used with Foam-in-Place Kits = 1" soft visco glued to

Custom Foam Layering

Top Layer

Middle Layer

Bottom Layer

*Select Foam-In-Place Cover
Modification In Cover Modification
Section*

*All foam up to 2" total thickness is
included in base price of seat.
Cost for custom foams is **only**
applied when total thickness is
greater than 2"*

Cover Modifications

Cover Modifications

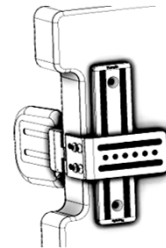
- | | | | |
|--------------------------|-------|---|-------|
| <input type="checkbox"/> | 71007 | Foam-In_Place Cover (Specify Cover thickness) | \$93 |
| <input type="checkbox"/> | 72056 | Dureflex Liner | \$69 |
| <input type="checkbox"/> | 50251 | Additional Cover for Back (Identical cover) | \$275 |
| <input type="checkbox"/> | | Top Zipper Placement | N/C |
| <input type="checkbox"/> | 71005 | Bottom Zipper Placement | N/C |

Other Modifications

- | | | | |
|--------------------------|-------|--|------|
| <input type="checkbox"/> | 71025 | Attach Channels to Back (<i>Channels Selected Below</i>) | \$93 |
| <input type="checkbox"/> | 50080 | Spreader Bar | \$66 |

Select Back Channel

\$153

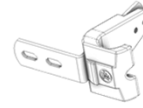


Back Mounting Hardware

Hardware WITH Seat/Back Hinge

FLUSH Seat/Back Hinge (qty 2) (Incl with E2617)

Molded J&L		
<input type="checkbox"/>	51097	Molded J&Ls w/ Flush Hinges \$ 268

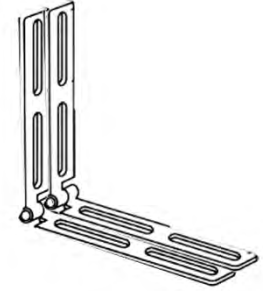
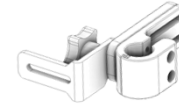


2 Knob Hardware		
<input type="checkbox"/>	50460	2 Knob w/ Flush Hinges \$ 413

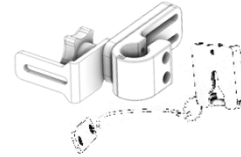
Back width

2 Knob Hardware for Curved Back (Curved Base)

12-13	<input type="checkbox"/>	50732	2 Knob w/ Flush Hinges (Curved Back) \$ 470
14-15	<input type="checkbox"/>	50740	2 Knob w/ Flush Hinges (Curved Back) \$ 470
16-17	<input type="checkbox"/>	50748	2 Knob w/ Flush Hinges (Curved Back) \$ 470
17-18	<input type="checkbox"/>	50756	2 Knob w/ Flush Hinges (Curved Back) \$ 470

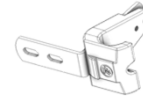


2 Knob Hardware TRANSIT		
<input type="checkbox"/>	51082	2 Knob Transit w/ Flush Hinges \$ 448



OFFSET Seat/Back Hinge: 2" Rise, 1" O/S (Incl with E2617)

Molded J&L		
<input type="checkbox"/>	51098	Molded J&Ls w/2" Rise, 1" O/S Hinge \$ 268

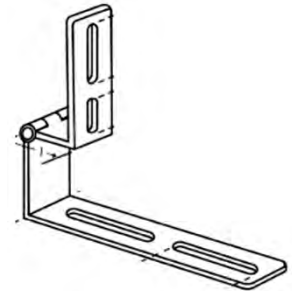
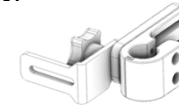


2 Knob Hardware		
<input type="checkbox"/>	50461	2 Knob w/2" Rise, 1" O/S Hinge \$ 413

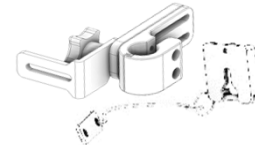
Back width

2 Knob Hardware for Curved Back (Curved Base)

12-13	<input type="checkbox"/>	50733	2 Knob w/2" Rise, 1" O/S Hinge \$ 470
14-15	<input type="checkbox"/>	50741	2 Knob w/2" Rise, 1" O/S Hinge \$ 470
16-17	<input type="checkbox"/>	50749	2 Knob w/2" Rise, 1" O/S Hinge \$ 470
17-18	<input type="checkbox"/>	50757	2 Knob w/2" Rise, 1" O/S Hinge \$ 470

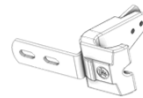


2 Knob Hardware TRANSIT		
<input type="checkbox"/>	51083	2 Knob Transit w/2" Rise, 1" O/S Hinge \$ 448



OFFSET Seat/Back Hinge: 2" Rise, 2" O/S (Incl with E2617)

Molded J&L		
<input type="checkbox"/>	51099	Molded J&Ls w/2" Rise, 2" O/S Hinge \$ 268

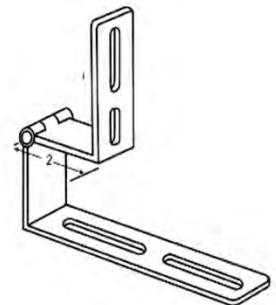
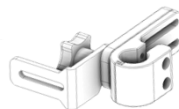


2 Knob Hardware		
<input type="checkbox"/>	50462	2 Knob w/2" Rise, 2" O/S Hinge \$ 413

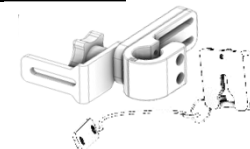
Back width

2 Knob Hardware for Curved Back (Curved Base)

12-13	<input type="checkbox"/>	50734	2 Knob w/2" Rise, 2" O/S Hinge \$ 470
14-15	<input type="checkbox"/>	50742	2 Knob w/2" Rise, 2" O/S Hinge \$ 470
16-17	<input type="checkbox"/>	50750	2 Knob w/2" Rise, 2" O/S Hinge \$ 470
17-18	<input type="checkbox"/>	50758	2 Knob w/2" Rise, 2" O/S Hinge \$ 470



2 Knob Hardware TRANSIT		
<input type="checkbox"/>	51084	2 Knob Transit w/2" Rise, 2" O/S Hinge \$ 448



OFFSET Seat/Back Hinge: 2" Rise, 3" O/S (Incl with E2617)

Molded J&L

<input type="checkbox"/>	51100	Molded J&Ls w/2" Rise, 3" O/S Hinge	\$ 268
--------------------------	-------	-------------------------------------	--------

2 Knob Hardware

<input type="checkbox"/>	50463	2 Knob w/2" Rise, 3" O/S Hinge	\$ 413
--------------------------	-------	--------------------------------	--------

Back width

2 Knob Hardware for Curved Back (Curved Base)

12-13	<input type="checkbox"/>	50735	2 Knob w/2" Rise, 3" O/S Hinge	\$ 470
-------	--------------------------	-------	--------------------------------	--------

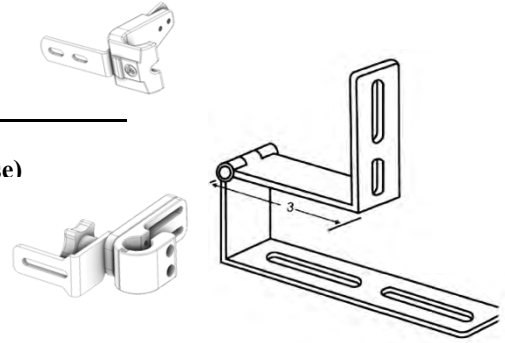
14-15	<input type="checkbox"/>	50743	3 Knob w/2" Rise, 3" O/S Hinge	\$ 470
-------	--------------------------	-------	--------------------------------	--------

16-17	<input type="checkbox"/>	50751	2 Knob w/2" Rise, 3" O/S Hinge	\$ 470
-------	--------------------------	-------	--------------------------------	--------

17-18	<input type="checkbox"/>	50759	2 Knob w/2" Rise, 3" O/S Hinge	\$ 470
-------	--------------------------	-------	--------------------------------	--------

2 Knob Hardware TRANSIT

<input type="checkbox"/>	51085	2 Knob Transit w/2" Rise, 3" O/S Hinge	\$ 448
--------------------------	-------	--	--------



OFFSET Seat/Back Hinge: 3" Rise, 1" O/S (Incl with E2617)

Molded J&L

<input type="checkbox"/>	51102	Molded J&Ls w/3" Rise, 1" O/S Hinge	\$ 268
--------------------------	-------	-------------------------------------	--------

2 Knob Hardware

<input type="checkbox"/>	50464	2 Knob w/3" Rise, 1" O/S Hinge	\$ 413
--------------------------	-------	--------------------------------	--------

Back width

2 Knob Hardware for Curved Back (Curved Base)

12-13	<input type="checkbox"/>	50736	2 Knob w/3" Rise, 1" O/S Hinge	\$ 470
-------	--------------------------	-------	--------------------------------	--------

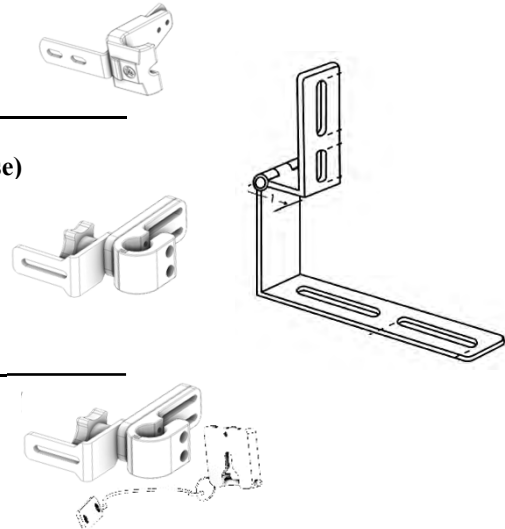
14-15	<input type="checkbox"/>	50744	2 Knob w/3" Rise, 1" O/S Hinge	\$ 470
-------	--------------------------	-------	--------------------------------	--------

16-17	<input type="checkbox"/>	50752	2 Knob w/3" Rise, 1" O/S Hinge	\$ 470
-------	--------------------------	-------	--------------------------------	--------

17-18	<input type="checkbox"/>	50760	2 Knob w/3" Rise, 1" O/S Hinge	\$ 470
-------	--------------------------	-------	--------------------------------	--------

2 Knob Hardware TRANSIT

<input type="checkbox"/>	51086	2 Knob Transit w/3" Rise, 1" O/S Hinge	\$ 448
--------------------------	-------	--	--------



OFFSET Seat/Back Hinge: 3" Rise, 2" O/S (Incl with E2617)

Molded J&L

<input type="checkbox"/>	51103	Molded J&Ls w/3" Rise, 2" O/S Hinge	\$ 268
--------------------------	-------	-------------------------------------	--------

2 Knob Hardware

<input type="checkbox"/>	50465	2 Knob w/3" Rise, 2" O/S Hinge	\$ 413
--------------------------	-------	--------------------------------	--------

Back width

2 Knob Hardware for Curved Back (Curved Base)

12-13	<input type="checkbox"/>	50737	2 Knob w/3" Rise, 2" O/S Hinge	\$ 470
-------	--------------------------	-------	--------------------------------	--------

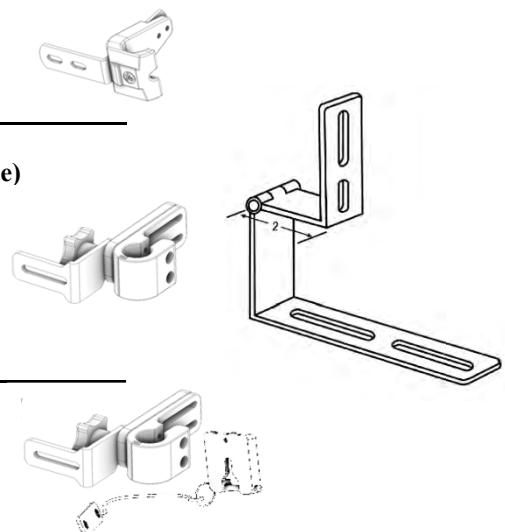
14-15	<input type="checkbox"/>	50745	2 Knob w/3" Rise, 2" O/S Hinge	\$ 470
-------	--------------------------	-------	--------------------------------	--------

16-17	<input type="checkbox"/>	50753	2 Knob w/3" Rise, 2" O/S Hinge	\$ 470
-------	--------------------------	-------	--------------------------------	--------

17-18	<input type="checkbox"/>	50761	2 Knob w/3" Rise, 2" O/S Hinge	\$ 470
-------	--------------------------	-------	--------------------------------	--------

2 Knob Hardware TRANSIT

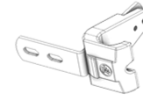
<input type="checkbox"/>	51087	2 Knob Transit w/3" Rise, 2" O/S Hinge	\$ 448
--------------------------	-------	--	--------



OFFSET Seat/Back Hinge: 3" Rise, 3" O/S (Incl with E2617)

Molded J&L

<input type="checkbox"/>	51104	Molded J&Ls w/3" Rise, 3" O/S Hinge	\$ 268
--------------------------	-------	-------------------------------------	--------



2 Knob Hardware

<input type="checkbox"/>	50466	2 Knob w/3" Rise, 3" O/S Hinge	\$ 413
--------------------------	-------	--------------------------------	--------

2 Knob Hardware for Curved Back (Curved Base)

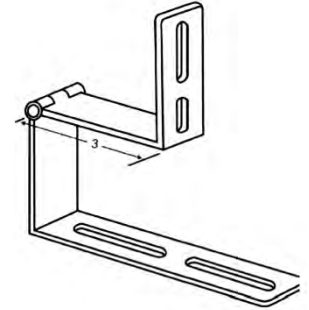
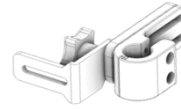
Back width

12-13	<input type="checkbox"/>	50738	2 Knob w/3" Rise, 3" O/S Hinge	\$ 470
-------	--------------------------	-------	--------------------------------	--------

14-15	<input type="checkbox"/>	50746	2 Knob w/3" Rise, 3" O/S Hinge	\$ 470
-------	--------------------------	-------	--------------------------------	--------

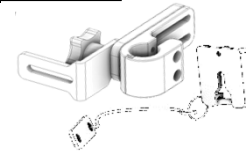
16-17	<input type="checkbox"/>	50754	2 Knob w/3" Rise, 3" O/S Hinge	\$ 470
-------	--------------------------	-------	--------------------------------	--------

17-18	<input type="checkbox"/>	50762	2 Knob w/3" Rise, 3" O/S Hinge	\$ 470
-------	--------------------------	-------	--------------------------------	--------



2 Knob Hardware TRANSIT

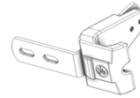
<input type="checkbox"/>	51088	2 Knob Transit w/3" Rise, 3" O/S Hinge	\$ 448
--------------------------	-------	--	--------



OFFSET Seat/Back Hinge: 2.5" Rise, Adjustable O/S (Incl with E2617)

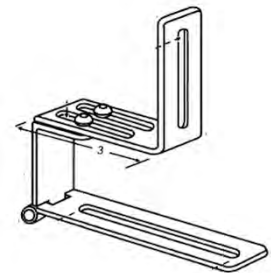
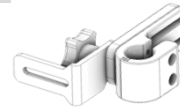
Molded J&L

<input type="checkbox"/>	51101	Molded J&Ls w/2.5" Rise, Adj O/S Hin	\$ 441
--------------------------	-------	--------------------------------------	--------



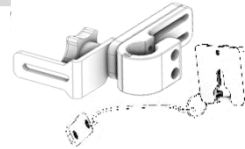
2 Knob Hardware

<input type="checkbox"/>	51093	2 Knob w/2.5" Rise, Adj O/S Hinge	\$ 525
--------------------------	-------	-----------------------------------	--------



2 Knob Hardware TRANSIT

<input type="checkbox"/>	51090	2 Knob Transit w/2.5 Rise, Adj O/S Hin;	\$ 593
--------------------------	-------	---	--------



OFFSET 2 Seat/Back Hinges: 2.5" Rise, Adjustable O/S (Incl with E2617)

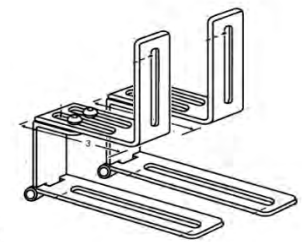
2 Knob Hardware

<input type="checkbox"/>	51092	2 Knob w/2.5" Rise, Adj O/S Hinge	\$ 525
--------------------------	-------	-----------------------------------	--------



2 Knob Hardware TRANSIT

<input type="checkbox"/>	51089	2 Knob w/2.5" Rise, Adj O/S Hinge	\$ 593
--------------------------	-------	-----------------------------------	--------

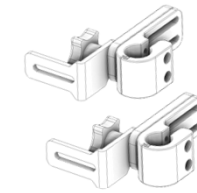


Hardware WITHOUT Seat/Back Hinge

4 Knob Hardware (Incl with E2617)

4 Knob Hardware

<input type="checkbox"/>	50473	4 Knob Hardware	\$ 475
--------------------------	-------	-----------------	--------



4 Knob Hardware for Curved Back (Curved Base)

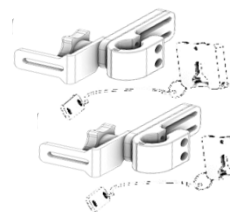
Back width

12-13	<input type="checkbox"/>	50739	4 Knob Hardware (Curved Back)	\$ 540
-------	--------------------------	-------	-------------------------------	--------

14-15	<input type="checkbox"/>	50747	4 Knob Hardware (Curved Back)	\$ 540
-------	--------------------------	-------	-------------------------------	--------

16-17	<input type="checkbox"/>	50755	4 Knob Hardware (Curved Back)	\$ 540
-------	--------------------------	-------	-------------------------------	--------

17-18	<input type="checkbox"/>	50763	4 Knob Hardware (Curved Back)	\$ 540
-------	--------------------------	-------	-------------------------------	--------

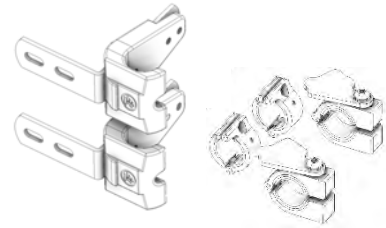


4 Knob Hardware TRANSIT

<input type="checkbox"/>	51076	4 Knob Transit	\$ 655
--------------------------	-------	----------------	--------

4 Molded J and L Hardware (Incl with E2617)

<input type="checkbox"/>	50475	Slotted L Brackets, w/ Swingtabs	\$ 268
<input type="checkbox"/>	50499	Heavy Duty, w/ Swingtabs	\$ 297
<input type="checkbox"/>	50469	Long Slotted L Brackets, w/ Swingtabs	\$ 340

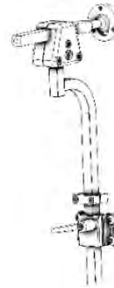


Head Supports

Brackets

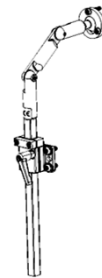
Multi-Axis Offset E1028

<input type="checkbox"/>	50215	Headrest Hardware, Multi-Axis	\$255.00
--------------------------	-------	-------------------------------	----------



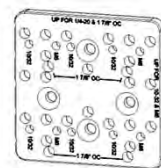
Surelock E1028

<input type="checkbox"/>	50218	Headrest Hardware, Surelock Square Bar	\$249.00
--------------------------	-------	--	----------



Bracket Options K0108

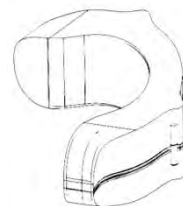
<input type="checkbox"/>	32825	Headrest Universal Adaptor Plate	\$117.00
--------------------------	-------	----------------------------------	----------



Pads

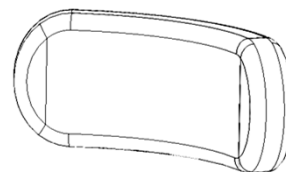
Profit Adjust E0955

<input type="checkbox"/>	50361	Pro-Fit Adjust w/ Knit Cover, Large	\$305.00
<input type="checkbox"/>	50363	Pro-Fit Adjust w/ Knit Cover, Small	\$305.00
<input type="checkbox"/>	50368	Pro-Fit Adjust w/ Smooth Cover, Small	\$305.00
<input type="checkbox"/>	50369	Pro-Fit Adjust w/ Smooth Cover, Large	\$305.00



Profit Soft Pad E0955

<input type="checkbox"/>	50365	Pro-Fit Soft Pad w/ Smooth Cover, 5 x 8	\$157.00
<input type="checkbox"/>	50366	Pro-Fit Soft Pad w/ Smooth Cover, 5 x 10	\$157.00
<input type="checkbox"/>	50367	Pro-Fit Soft Pad w/ Smooth Cover, 5 x 14	\$157.00
<input type="checkbox"/>	50374	Pro-Fit Soft Pad w/ Knit Cover, 4 x 8	\$157.00
<input type="checkbox"/>	50375	Pro-Fit Soft Pad w/ Knit Cover, 4 x 10	\$157.00
<input type="checkbox"/>	50376	Pro-Fit Soft Pad w/ Knit Cover, 4 x 14	\$157.00



Lateral Thoracic Supports

VALUE Lateral Thoracic Pad E0956 Ea.

FLAT

These pads have Black Smooth Dartex Face and Neoprene Knit Back Side

LEFT

RIGHT *Molded Pads are self skinning molded foam with Neoprene cover*



CURVED

These pads have Black Smooth Dartex Face and Neoprene Knit Back Side

LEFT

RIGHT *Molded Pads are self skinning molded foam with Neoprene cover*



NEOPRENE/VINYL Lateral Thoracic Pad E0956 Ea.

FLAT

These pads have Black Neoprene Face and Vinyl Back Side

LEFT

RIGHT



TRU SPEC Lateral Thoracic Pad E0956 Ea.

FLAT

These pads can have custom fabrics and colors

LEFT

RIGHT *Select fabrics and colors on next page*



CURVED

These pads can have custom fabrics and colors

LEFT

RIGHT *Select fabrics and colors on next page*



CUSTOM Lateral Thoracic Pad E0956 Ea.

LEFT

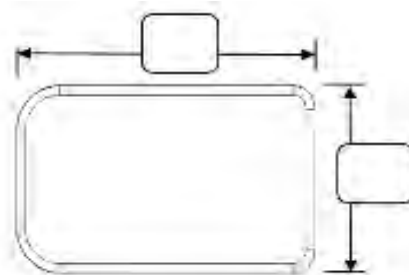
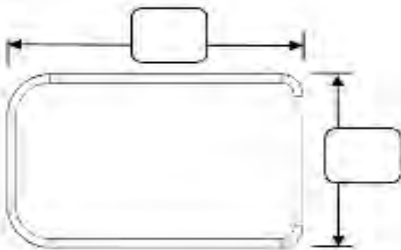
RIGHT

For Custom Pad select fabrics and colors below

<input type="checkbox"/> None	<input type="checkbox"/> None		
<input type="checkbox"/> 50055	<input type="checkbox"/> 50055	Flat Custom Pad	\$ 145
<input type="checkbox"/> 50060	<input type="checkbox"/> 50060	Curved Custom Pad	\$ 169

LEFT

RIGHT



Pad Modifications Ea.

<input type="checkbox"/> 71068	Modification Extra Foam	\$ 26
	<input type="checkbox"/> XX-Soft	
	<input type="checkbox"/> X-Soft	
	<input type="checkbox"/> Soft	
	<input type="checkbox"/> Medium	

Pad Modifications Ea. (Continued)

<input type="checkbox"/>	71067	Modification add Gel 1/4"	\$	39
<input type="checkbox"/>	71092	Modification add 1/2" Pudgee Foam	\$	37
<input type="checkbox"/>	71069	Mushroom Foam on Pad	\$	39

Custom Foam Layering

Top Layer

Middle Layer

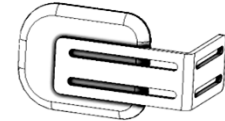
Lateral Thoracic Pad Fabric Color and Type

N/C

Contact Non-Contact

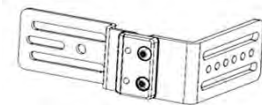
Fixed Bracket Each E0956 (Must select Flat Pad)

LEFT RIGHT *Fixed Brackets CANNOT be used with a curved pad*



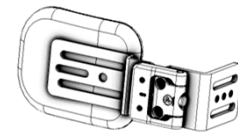
Fixed MODULAR Bracket Each E0956 (Must select Flat Pad)

LEFT RIGHT *Part numbers will sometime vary depending on bracket setup needs*



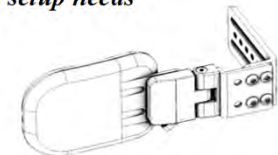
Swing Away Hardware Each E1028

LEFT RIGHT *Part numbers wil sometime vary depending on bracket setup needs*



Proximal Swing Away Hardware Each E1028

LEFT RIGHT *Part numbers wil sometime vary depending on bracket setup needs*



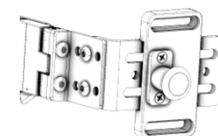
Spacers (1/2" Each) Each K0108

LEFT		RIGHT			
Qty		Qty			
	50098		50098	Spacer (1/2")	\$ 25



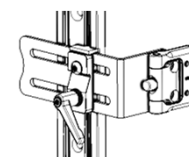
Pin Style Summer/Winter Hardware Each K0108

LEFT		RIGHT			
<input type="checkbox"/>	50325	<input type="checkbox"/>	50325	Summer/Winter Hardware	\$ 100
<i>(Must order channels on back)</i>					



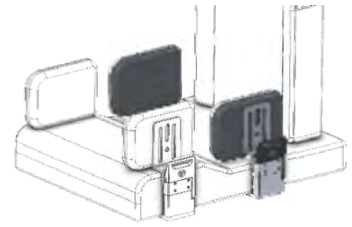
Low Profile Summer/Winter Hardware Each K0108

LEFT		RIGHT			
<input type="checkbox"/>	50324	<input type="checkbox"/>	50324	Summer/Winter Hardware	\$ 73
<i>(Must order channels on back)</i>					



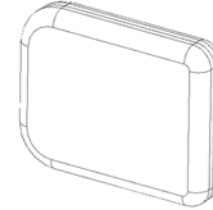
REAR Lateral Hip Supports

For FRONT Setup see section two pages below



Standard Lateral Hip Pad E0956 Ea.

LEFT	RIGHT	<i>These pads have Black Smooth Dartex Face and Neoprene Knit Back Side</i>	
<input type="checkbox"/> 50146	<input type="checkbox"/> 50146	Hip Guide, Flat, 4 x 5	
<input type="checkbox"/> 50147	<input type="checkbox"/> 50147	Hip Guide, Flat, 4 x 6	\$ 83
<input type="checkbox"/> 50148	<input type="checkbox"/> 50148	Hip Guide, Flat, 4 x 8	\$ 83
<input type="checkbox"/> 50246	<input type="checkbox"/> 50246	Hip Guide, Flat, 4 x 10	\$ 83
<input type="checkbox"/> 50247	<input type="checkbox"/> 50247	Hip Guide, Flat, 4 x 12	\$ 83
<input type="checkbox"/> 50268	<input type="checkbox"/> 50268	Hip Guide, Flat, 4 x 14	\$ 89
<input type="checkbox"/> 50276	<input type="checkbox"/> 50276	Hip Guide, Flat, 4 x 16	\$ 89
<input type="checkbox"/> 50343	<input type="checkbox"/> 50343	Hip Guide, Flat, 4 x 18	\$ 93

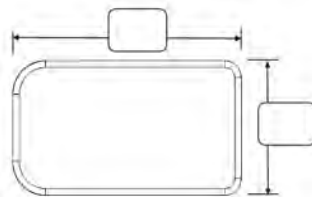
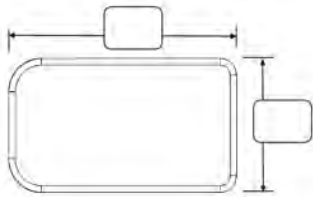


Custom Lateral Hip Pad E0956 Ea.

LEFT	RIGHT	<i>For Custom Pad select fabrics next page</i>	
<input type="checkbox"/> 73001	<input type="checkbox"/> 73001	Hip Pad, TrU-Spec Non-Contoured	\$ 121

LEFT

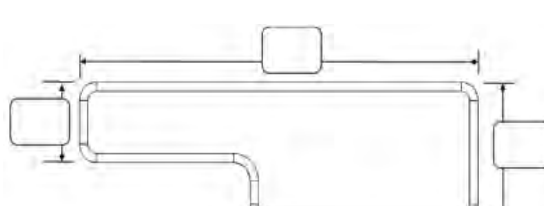
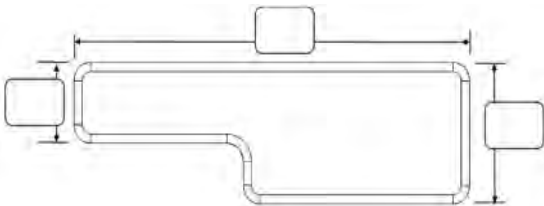
RIGHT



LEFT	RIGHT	<i>For Custom Pad select fabrics next page</i>	
<input type="checkbox"/> 73002	<input type="checkbox"/> 73002	Hip Guide, Custom Contoured	\$ 155

LEFT

RIGHT



Pad Modifications Ea.

<input type="checkbox"/> 71068	Modification Extra Foam	\$ 26
	<input type="checkbox"/> XX-Soft	
	<input type="checkbox"/> X-Soft	
	<input type="checkbox"/> Soft	
	<input type="checkbox"/> Medium	
<input type="checkbox"/> 71067	Modification add Gel 1/4"	\$ 39

Set Pad FLUSH with Front of Seat N/C

Set Pad BACK from Front Edge *Indicate distance in Box at right* N/C

Set Pad BEYOND of Front Edge *Indicate distance in Box at right* N/C

Distance

Distance

Rear Hip Pad Fabric Color and Type

N/C

Contact

Non-Contact

Spacers (1/2" Each) Each K0108

LEFT RIGHT

Qty		Qty			
50098		50098	Spacer (1/2")	\$	25

Fixed Bracket Each E0956

LEFT RIGHT

Adjustable Angle Bracket Each E0956

LEFT RIGHT

Removable Bracket (Non-Locking) Each E1028

LEFT RIGHT

CHANNEL KIT FOR SHOPRIDER

35101 \$155

SEAT MOUNT Locking Removable Bracket Each E1028

Select Offset, and Seat Thickness - Pad Mount Bracket is 3" Long

LEFT RIGHT

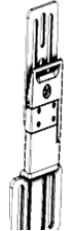
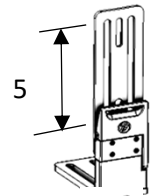
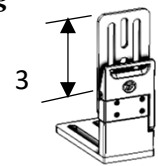
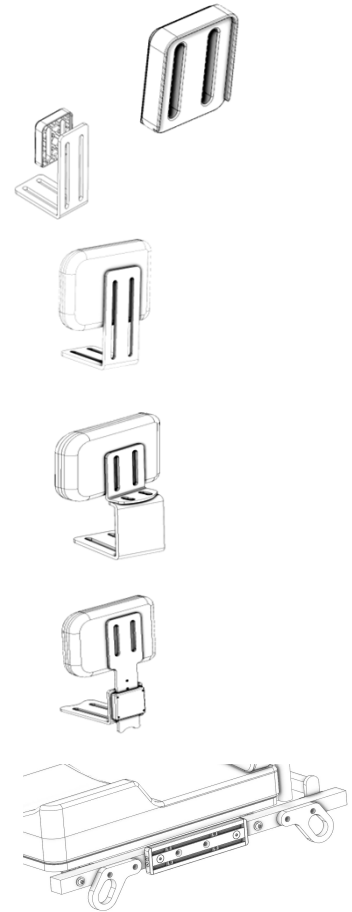
Select Offset, and Seat Thickness - Pad Mount Bracket is 5" Long

LEFT RIGHT

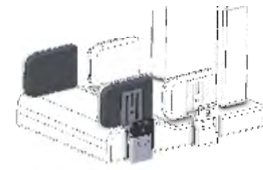
CHANNEL MOUNT Locking Removable Bracket Each E1028

Select Offset, and Seat Thickness - Pad Mount Bracket is 3" Long

Select Offset, and Seat Thickness - Pad Mount Bracket is 5" Long



FRONT Lateral Hip Supports



Standard Lateral Hip Pad E0956 Ea.

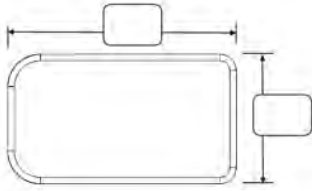
LEFT	RIGHT	<i>These pads have Black Smooth Dartex Face and Neoprene Knit Back Side</i>	
<input type="checkbox"/> 50270	<input type="checkbox"/> 50270	Hip Guide, Flat, 3 x 4	\$ 84
<input type="checkbox"/> 50271	<input type="checkbox"/> 50271	Hip Guide, Flat, 3 x 5	\$ 84
<input type="checkbox"/> 50272	<input type="checkbox"/> 50272	Hip Guide, Flat, 4 x 5	\$ 84
<input type="checkbox"/> 50273	<input type="checkbox"/> 50273	Hip Guide, Flat, 4 x 6	\$ 84
<input type="checkbox"/> 50275	<input type="checkbox"/> 50275	Hip Guide, Flat, 4 x 8	\$ 84



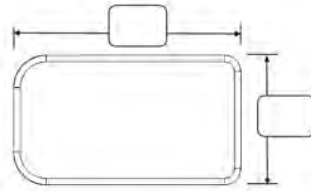
Custom Lateral Hip Pad E0956 Ea.

LEFT	RIGHT	<i>For Custom Pad select fabrics next page</i>	
<input type="checkbox"/> 73004	<input type="checkbox"/> 73004	Hip Pad, TrU-Spec Non-Contoured	\$ 121

LEFT

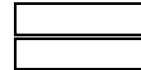


RIGHT



Pad Modifications Ea.

<input type="checkbox"/> 71068	Modification Extra Foam	\$ 26	
	<input type="checkbox"/> XX-Soft		
	<input type="checkbox"/> X-Soft		
	<input type="checkbox"/> Soft		
	<input type="checkbox"/> Medium		
<input type="checkbox"/> 71067	Modification add Gel 1/4"	\$ 39	
<input type="checkbox"/>	Set Pad FLUSH with Front of Seat	N/C	
<input type="checkbox"/>	Set Pad BACK from Front Edge <i>Indicate distance in Box at right</i>	N/C	Distance
<input type="checkbox"/>	Set Pad BEYOND of Front Edge <i>Indicate distance in Box at right</i>	N/C	Distance



Front Hip Pad Fabric Color and Type N/C

Contact

Non-Contact

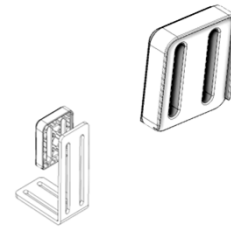
Spacers (1/2" Each) Each K0108

LEFT	RIGHT		
Qty	Qty		
50098	50098	Spacer (1/2")	\$ 25

Fixed Bracket Each E0956

LEFT

RIGHT



Adjustable Angle Bracket Each E0956

LEFT

RIGHT



Removable Bracket (Non-Locking) Each E1028

LEFT

RIGHT



Medial Thigh Supports

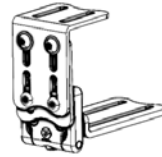
Flipdown Hardware Kits w/Pad Only (no cover) E0957 and E1028

- 31495L Abductor Flip-Down w/ Large Molded Pad \$ 257
- 31495M Abductor Flip-Down w/Medium Molded Pad \$ 257
- 31495P Abductor Flip-Down w/ Narrow Gel Pad \$ 289
- 31495S Abductor Flip-Down w/ Small Molded Pad \$ 257



Flipdown Bracket (no Pad) E1028

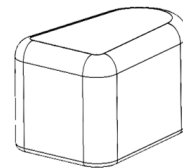
- 50180 Abductor Hardware, Stainless Steel Flip-Dow \$ 185



Medial Thigh Pads E0957

Pad with Cover

- 50285 Pad, Molded w/ Cover, Small \$ 144
- 50286 Pad, Molded w/ Cover, Medium \$ 144
- 50287 Pad, Molded w/ Cover, Large \$ 145



Pad without Cover

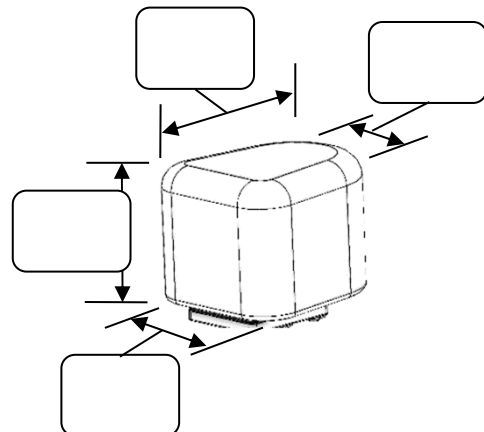
- 31429 Abductor Pad, Molded, Small \$ 92
- 31430 Abductor Pad, Molded, Medium \$ 92
- 31431 Abductor Pad, Molded, Large \$ 92

Gel Pads

- 50288 Abductor Pad, Narrow Molded Gel w/ Remov \$ 155

Custom Pad

- 50037 Custom Abductor Pad \$ 397



Special Instructions

Enter Any Special Instructions in the area below