

Ordered By: _____ Clinician/ATP/RTS: _____ Phone Number: _____
 Acct. Number: _____ PO Number: _____ Address: _____
 City: _____ State: _____ Zip Code: _____ Email: _____ Marked For: _____
 Ship to: _____ Phone Number: _____
 Address: _____ City: _____ State: _____ Zip Code: _____

XLR 14 - RS | K0835

Rehab Back Solid Seat
 Group 2 Single Power Option
 300lb Weight Capacity

DME providers are responsible for determining appropriate billing codes when submitting for insurance reimbursement. HCPCS codes should not be considered legal advice. All prices are MSRP. Prices subject to change without notice.



BASE MODEL ELECTRONICS

DESCRIPTION	PRICE	HCPCS CODE
<input type="checkbox"/> XLR14-RS	\$7,127	K0835

BASE COLOR OPTIONS

Choose one color option to be installed

DESCRIPTION	PRICE
<input type="checkbox"/> Burgundy	N/C
<input type="checkbox"/> Blue	N/C
<input type="checkbox"/> Pewter	N/C
<input type="checkbox"/> Black	N/C

BATTERY CHARGER

DESCRIPTION	PRICE
8 Amp Off-Board	Standard

DRIVE WHEELS

DESCRIPTION	PRICE
<input type="checkbox"/> 14" Flat-Free, Pair	Standard
<input type="checkbox"/> 14" Pneumatic Tires Pair; Gray	\$200

SEATING SYSTEM

DESCRIPTION	PRICE	HCPCS CODE
Required Option		
SHOPRIDER Power Tilt (Required)	\$5,830	E1002

Required Option - Choose a single or dual actuator option

DESCRIPTION	PRICE	HCPCS CODE
60 Amp VR2 Power Module	Standard	
<input type="checkbox"/> VR2 6-Key Joystick ¹ w/ 1 Actuator Function	\$1899	E2310
¹ Required for tilt function.		
<input type="checkbox"/> VR2 6-Key Joystick ² w/ 2 Actuator Function	\$2999	E2311
² Required for tilt and AFP function. When choosing two actuator function, do not check off VR2 6-Key w/ 1 Actuator option listed above.		

JOYSTICK MOUNTING BRACKETS

DESCRIPTION	PRICE	HCPCS CODE
<input type="checkbox"/> Fixed, Inline	Standard	
<input type="checkbox"/> Left <input type="checkbox"/> Right		
<input type="checkbox"/> Swing-Away, Fixed Length with pin	\$235	E1028
<input type="checkbox"/> Left <input type="checkbox"/> Right		
<input type="checkbox"/> Swing-Away, Magnetic Length Adjustable	\$235	E1028
<input type="checkbox"/> Left <input type="checkbox"/> Right		

ARMRESTS

DESCRIPTION	PRICE	HCPCS CODE
<input type="checkbox"/> Flip Back, Height Adjustable	No Charge	
<input type="checkbox"/> Left Arm Trough	\$160	E2209
<input type="checkbox"/> Right Arm Trough	\$160	E2209

XLR 14 - RS | K0835

Captain Back Solid Seat
Group 2 Single Power Option
300lb Weight Capacity

For easy ordering and information, please contact Customer Care Toll Free at 1(800) 743-0772 Fax: 1(877) 797-7081 or Email to quotes@shoprider.com

DME providers are responsible for determining appropriate billing codes when submitting for insurance reimbursement. HCPCS codes should not be considered legal advice. All prices are MSRP.

LAPBELTS

DESCRIPTION	PRICE
<input type="checkbox"/> 66" Lap Belt	Standard

FRONT RIGGINGS

DESCRIPTION	PRICE
<input type="checkbox"/> Seat Mounted Foot Platform (11 1/2" - 18 1/2") of adjustment ³	Standard



<input type="checkbox"/> Extra Large Footplate 12.5" x 15.5" (D x W)	\$160.00
--	----------



<input type="checkbox"/> Omit Seat Mounted Foot Platform	No Charge
--	-----------

<input type="checkbox"/> Swing Away Foot Rests Pair; (17" - 19 1/2") of adjustment ⁴	\$250
---	-------



<input type="checkbox"/> Swing Away Elevating Leg Rests Pair; (18" - 21") of adjustment ⁵	\$180 E0990
--	----------------



<input type="checkbox"/> Residual Limb Support	\$340 ea E1020
--	-------------------



Rigging Selections:

- Limb Supports Side ⁶
 Left Right

³ Measurements are from top edge of seat cushion to top of footplate heel. Adjustments range from 11 1/2" to 18 1/2" in 1" increments.

⁴ Swing Away foot rests can be adjusted from 17" to 19 1/2" in 1/2" increments. Swing away length adjustment is measured from top edge of seat cushion to top of foot plate heel. Swing Away lengths cannot be preset from the factory.

⁵ ELR lengths are measured from the top front edge of the seat cushion to the top of the footplate heel position. Adjustments are 18" to 21" in 1/2" increments. ELR lengths cannot be preset from the factory.

⁶ If two supports are required, please select both left and right.

CENTER MOUNT AFP

Required Option - Choose a dual actuator option

DESCRIPTION	PRICE	HCPCS CODE
<input type="checkbox"/> Power Articulating Foot Platform ^{7,8} Part: 800914-044-01(K)	\$2,999	E1012

⁷ When choosing this option, select VR2 6-Key w/2 Actuators in Electronics.

⁸ When AFP is selected, other front rigging options should not be selected due to fitment restrictions.



AFP Setup Measurements

Measurements	Inches
Posterior Knee to Bottom of Heel	
Cushion Thickness (Subtract)	
Cushion Compression (Add)	
Seat Pan to Footplate (Total)	

- | | |
|--------------------------------|--|
| <input type="checkbox"/> 8" | <input type="checkbox"/> 13.5" |
| <input type="checkbox"/> 8.5" | <input type="checkbox"/> 14" |
| <input type="checkbox"/> 9.5" | <input type="checkbox"/> 14.5" |
| <input type="checkbox"/> 10.5" | <input type="checkbox"/> 15" |
| <input type="checkbox"/> 11.5" | <input type="checkbox"/> 15.5" ¹¹ |
| <input type="checkbox"/> 12.5" | |

¹¹ STFH must be a minimum of 19" to meet the 2" ground clearance requirement.

BATTERIES

DESCRIPTION	PRICE	HCPCS CODE
<input type="checkbox"/> No Batteries	No Charge	
<input type="checkbox"/> Group 34, 60 Amp Gel Batteries ⁹	\$498 ea	E2359
<input type="checkbox"/> Group 24, 75 Amp Gel Batteries ⁹	\$520 ea	E2363
<input type="checkbox"/> 22NF, 50 Amp AGM Batteries	\$200 ea	E2361

⁹ MK is currently the exclusive battery offered for the XLR 14. Two Batteries are required for this model, all options have inset battery terminals.

XLR 14 - RS | K0835

Captain Back Solid Seat
Group 2 Single Power Option
300lb Weight Capacity

For easy ordering and information, please contact Customer Care Toll Free at 1(800) 743-0772 Fax: 1(877) 797-7081 or Email to quotes@shoprider.com

DME providers are responsible for determining appropriate billing codes when submitting for insurance reimbursement. HCPCS codes should not be considered legal advice. All prices are MSRP.

ACCESSORIES

Transit Tie-Down Kit Unoccupied**

**Must be installed at time of purchase

SERVICE EMBLEMS

DESCRIPTION

MSRP

MARINE CORP

\$5



ARMY

\$5



NAVY

\$5



COAST GUARD

\$5



AIR FORCE

\$5



LIGHTING KIT

Lighting Kit* \$500

Lighting Kit includes joystick mounted control box with left, right, hazard and main lighting switches.

*Kit must be selected at time of purchase, and cannot be added onto a unit order once it has shipped.



SEAT-TO-SPEC*

Please Supply Client Information:

Client Height: _____

Client Weight: _____

Seat to Floor Height (Check one below)

Seating System	Seat to Floor Heights*	
	17 1/2" min	20" max
Pan Seating		

17 1/2"

19"

18"

19 1/2"

18 1/2"

20"

Seat to floor height is adjustable from 17 1/2" to 20" in 1/2" increments.

* While every effort will be taken to ensure STFH dimensions will be preset to your specifications prior to shipping, variations in options may affect final settings.

STFH is measured from top of seat pan to floor.

Note: This does not account for seat cushion height.



XLR 14 - RS | K0835

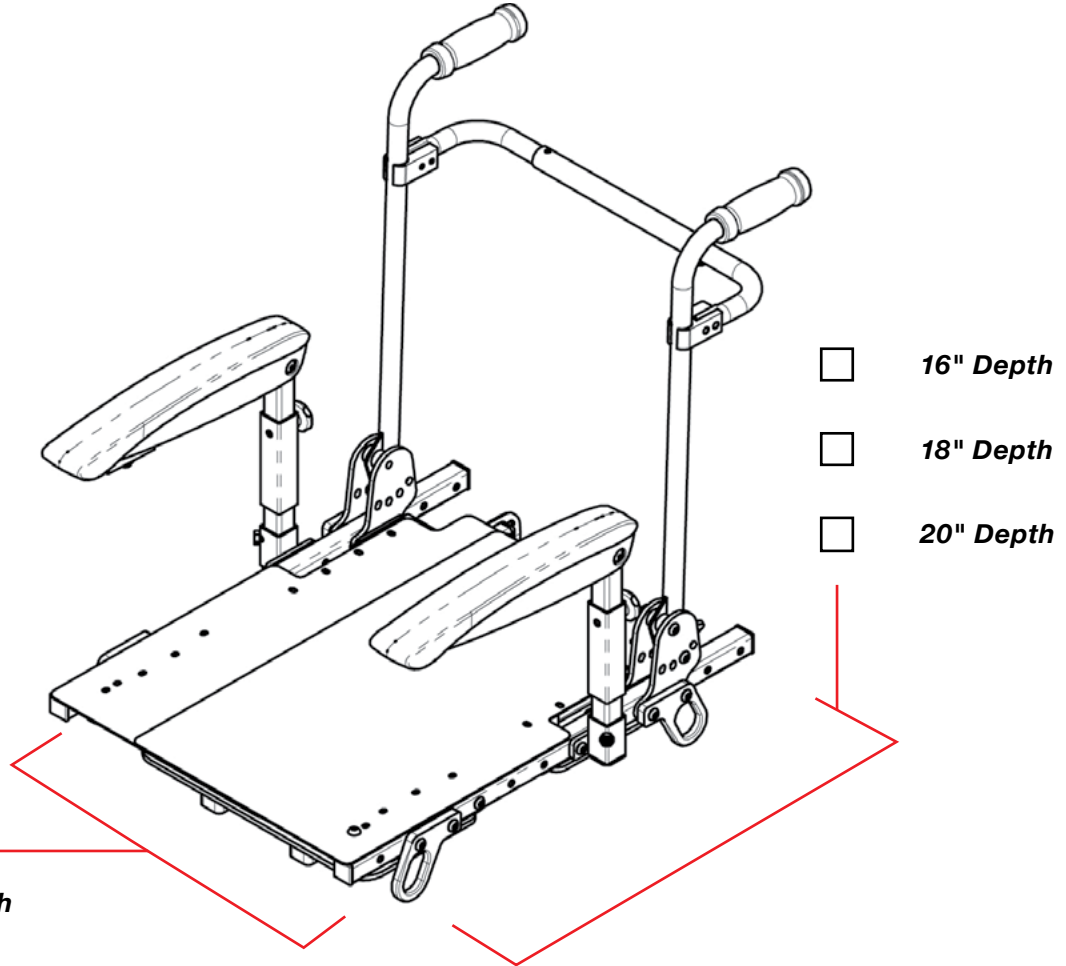
Captain Back Solid Seat
Group 2 Single Power Option
300lb Weight Capacity

For easy ordering and information, please contact Customer Care Toll Free at 1(800) 743-0772 Fax: 1(877) 797-7081 or Email to quotes@shoprider.com

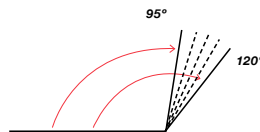
DME providers are responsible for determining appropriate billing codes when submitting for insurance reimbursement. HCPCS codes should not be considered legal advice. All prices are MSRP.

REHAB SEAT SPEC

Rehab Back w/ Solid Seat Pan and Adjustable Width & Length



Rehab solid seats have a set by hardware recline, with a range of approximately 95° to 120° as illustrated below. Adjustment of the recline angle requires tools to reset.



The Rehab System does not include the individual seating and positioning components. Shoprider chose to work with Therafin to insure that their components interfaced properly with the Shoprider Rehab Seat Frame on our XLR-RS version of the XLR Series of Group 2 Complex Rehab Systems. However, You are free to choose the manufacturer of your choice for your seating components.

Our Rehab seat is equipped with 7/8" OD Seat Back Cane tubing.

*The back-mounted spreader bar extends 4" in depth.
The square tubing seat rail has mounting holes positioned 2" apart.*