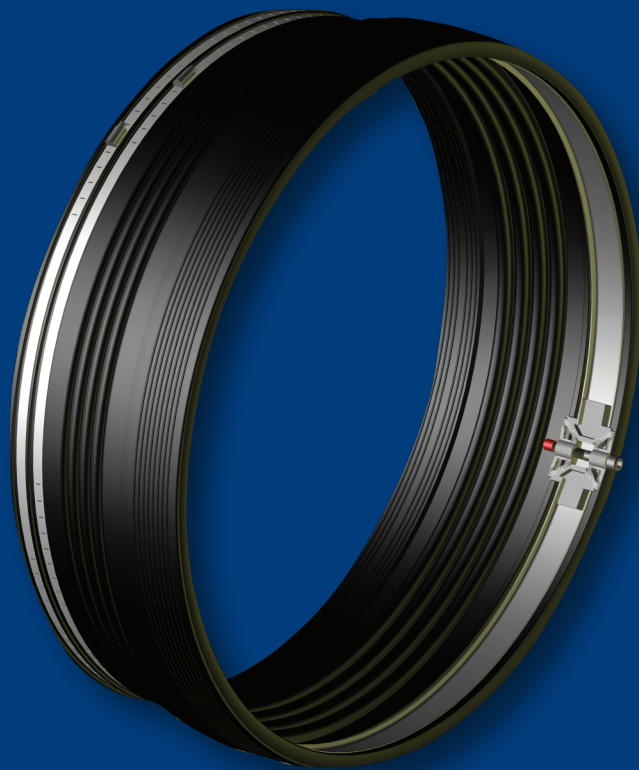


Kor-N-Seal® II

206 Series Pipe-to-Manhole Connector

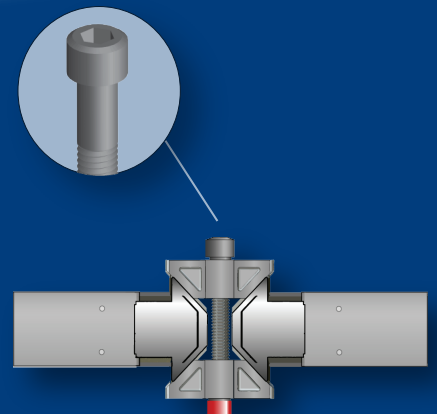


CORRUGATED RUBBER DESIGN

- *Corrugated profile for easier installation and positioning of the pipe in trench*
- *Designed for larger pipe sizes 18" - 51"*
- *Meets the specifications of ASTM C923*

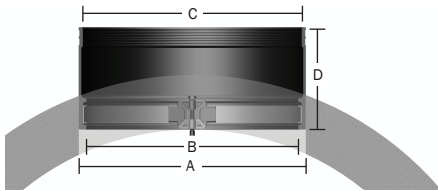


The 206 Series Connector is designed with an Allen Head Wedge Bolt for easier installation of the connector into the manhole.



Kor-N-Seal II

206 Series Pipe-to-Manhole Connector



- To fit larger sized pipe into smaller diameter manholes, please refer to our Kor-N-Seal II 306 Series Connectors.

- Using Corrugated Pipe: Adapters are required when using Corrugated Pipe. Refer to the Corrugated Pipe Adapter Data Sheet for details.

P/N	Suggested Pipe O.D. Range	Hole Size Range		Connector Dimension			Pipe Clamps		Minimum Manhole Size Required
		A	B	C	D	Qty	P/N		
S206-18L	15.000 — 15.625	17.98	18.13	15.875	16	10.50	2	I-282	48/4
S206-20 S206-20L	15.625 — 17.000 17.000 — 17.625	19.98	20.13	17.875	17 18	10.50	2 2	I-282 I-306	48/4
S206-22 S206-22L	17.625 — 19.000 19.000 — 19.625	21.98	22.13	19.875	19 20	10.50	2 2	I-318 I-348	48/4
* S206-24A	18.000 — 19.500	23.98	24.13	21.875	18.75	10.00	4	I-180	48/5
S206-24 S206-24L	19.625 — 21.000 21.000 — 21.625	23.98	24.13	21.875	21 22	10.50	4 4	I-180	48/5
S206-26 S206-26L	21.625 — 23.000 23.000 — 23.625	26.00	26.20	23.875	23 24	10.50	4 4	I-190 I-218	48/5
S206-28 S206-28L	23.625 — 25.000 25.000 — 25.625	28.00	28.20	25.875	25 26	10.50	4 4	I-218	48/5
S206-30 S206-30L	25.625 — 27.000 27.000 — 27.625	30.00	30.20	27.875	27 28	10.50	4 4	I-218 I-242	48/6
S206-30L-32	27.000 — 27.625	32.00	32.20	27.875	28	10.50	4	I-242	60/6
S206-32 S206-32L	27.625 — 29.000 29.000 — 29.625	32.00	32.20	29.875	29 30	10.50	4 4	I-242	60/6
S206-34 S206-34L	29.625 — 31.000 31.000 — 31.625	34.00	34.20	31.875	31 32	10.50	4 4	I-258	60/6
S206-36 S206-36L	31.625 — 33.000 33.000 — 33.625	36.00	36.20	33.875	33 34	10.50	4 4	I-282	60/7
S206-38 S206-38L	33.625 — 35.000 35.000 — 35.625	38.00	38.20	35.875	35 36	10.50	4 4	I-282 I-306	60/7
S206-40 S206-40L	35.625 — 37.000 37.000 — 37.625	40.00	40.20	37.875	37 38	10.50	4 4	I-306	60/8
S206-42 S206-42L	37.625 — 39.000 39.000 — 39.625	42.00	42.20	39.875	39 40	10.50	4 4	I-318 I-348	60/8
S206-44 S206-44L	39.625 — 41.000 41.000 — 41.625	44.00	44.20	41.875	41 42	10.50	4 4	I-348	72/8
S206-44L-46	41.000 — 41.625	46.00	46.20	41.875	42	10.50	4	I-348	84/8
S206-46 S206-46L	41.625 — 43.000 43.000 — 43.625	46.00	46.20	43.875	43 44	10.50	4 4	I-348 I-242	84/8
S206-48 S206-48L	43.625 — 45.000 45.000 — 45.625	48.00	48.20	45.875	45 46	10.50	6 6	I-242 I-258	84/8
S206-50 S206-50L	45.000 — 45.625 45.625 — 47.000	50.00	50.25	47.250	46 47	10.50	6 6	80667	84/9
S206-52 S206-52L	47.000 — 47.625 47.625 — 49.000	52.00	52.25	49.250	48 49	10.50	6 6	80667	84/9
S206-54 S206-54L	49.000 — 49.625 49.625 — 51.000	54.00	54.25	51.250	50 51	10.50	6 6	80667	96/8.5

Larger sizes quoted upon request.

