

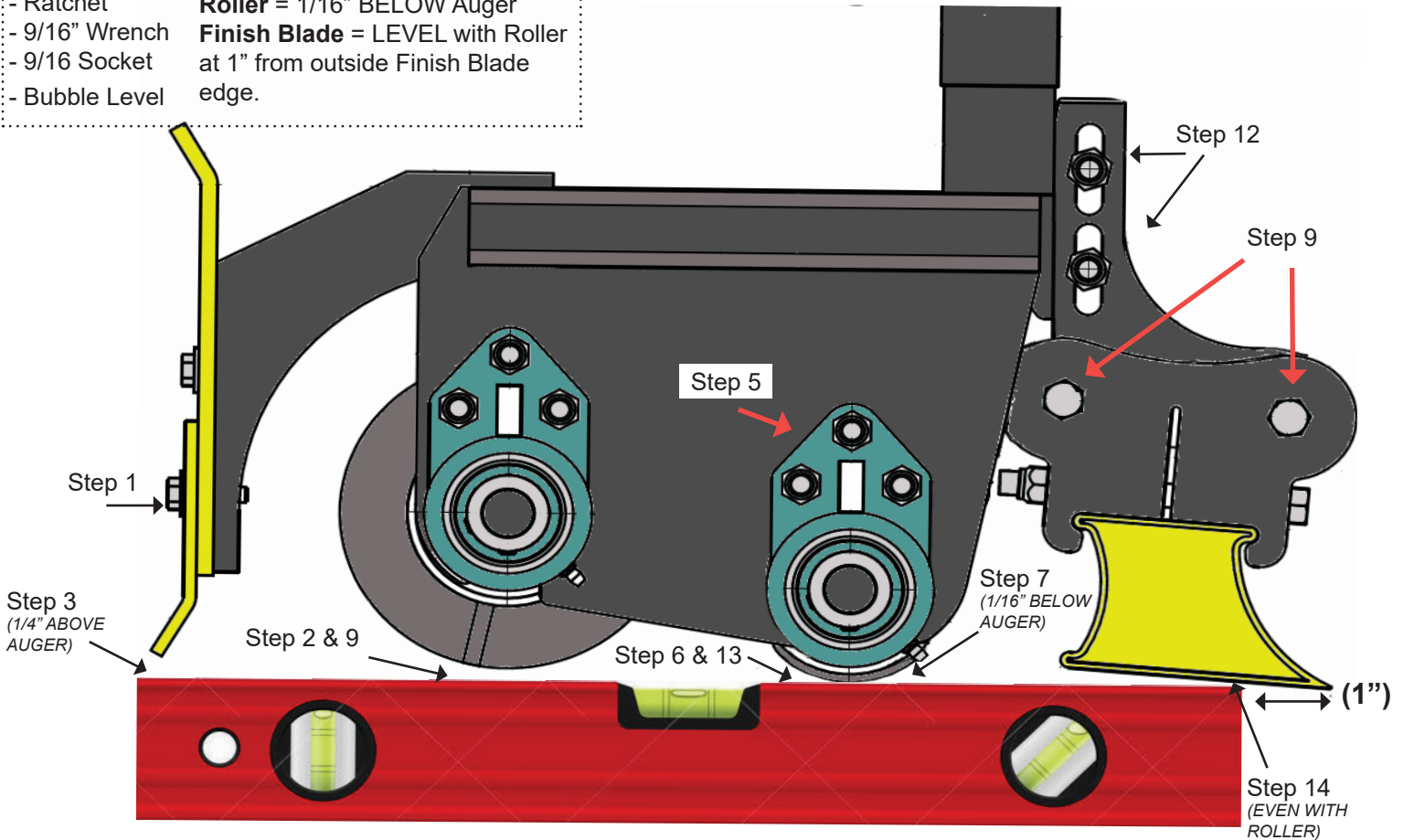
**Quick Reference**

**Tools needed:**

- 7/16" Socket
- Ratchet
- 9/16" Wrench
- 9/16 Socket
- Bubble Level

**Settings:**

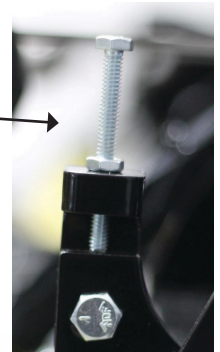
- Plow** = 1/4" ABOVE Auger
- Roller** = 1/16" BELOW Auger
- Finish Blade** = LEVEL with Roller at 1" from outside Finish Blade edge.



**Note:** The screed head has to be level for all adjustments to be accurate.

To level the screed head, boom out until a bubble level can be placed on the 6" boom section. Adjust downriggers until boom is level and screed head is relatively level from side to side.

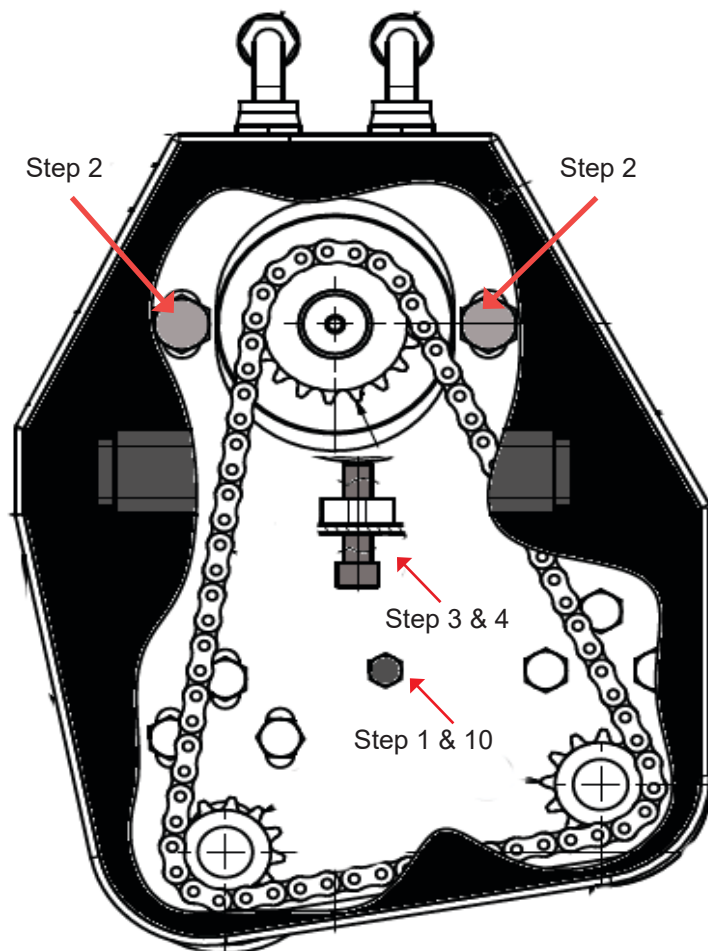
1. Loosen but do not remove all the lower bolts on the lower section of the adjustable plow. Do not loosen upper bolts.
2. Place the bubble level so it rests on the flight of the auger and sits level.
3. Set the lower section of the plow 1/4" above the bubble level and tighten the nearest lower plow bolt. Recheck for accuracy.
4. Repeat plow adjustment (Steps 2 & 3) for opposite side of the screed head. Retighten all plow bolts.
5. Loosen the bolts (3) on the roller bearing.  
(NOTE: If removing the paver screed head chain cover, see page 2 for instructions.)
6. Place the bubble level so it rests on the roller and sits level.
7. Set the roller so it sits 1/16" BELOW the auger flighting. Retighten bolts.
8. Repeat roller adjustment (Steps 5, 6, 7) on opposite side of screed head
9. Loosen the outer lock nuts on the finish blade bushings.
10. Torque the finish blade down so the outer bushing's stud in the slotted hole of the bracket is at its lowest position. (See picture for orientation). Then retighten bushing lock nuts.
11. Repeat finish blade pitch (Steps 9 & 10) for the opposite side of the screed head.
12. Loosen the bolts & lock nuts from the finish blade height adjustment bracket.  
(NOTE: Some newer style paver heads come with a finish blade height adjustment screw (pictured). To adjust height, loosen the jam nut and turn the screw clockwise to raise and counter clockwise to lower the finish blade.)
13. Place the bubble level so it rests on the roller and sits level.
14. Set the finish blade height so it is EVEN with the roller at a distance of 1" in from the finish blade edge (bubble level edge MUST touch finish blade at 1" in from finish blade edge). Retighten bolts & lock nuts. Recheck for accuracy.
15. Repeat finish blade height adjustment (Steps 12, 13, & 14) for the opposite side of the screed head.



## Quick Reference

### Tools needed:

- 7/16" Socket & Ratchet
- 7/16" Wrench
- 9/16" Wrench
- 3/4" Wrench (2)
- 5/16 Hex Key
- Grease
- Silicone sealant



To remove the paver screed head chain cover:

1. Remove the bolt and lock nut holding the cover into place. The lock nut is located inside of the paver screed head frame. The cover is sealed with silicone from the factory and may require additional force to remove.

To adjust the paver screed head chain:

2. Loosen the bolts and locks nuts (2) on the auger motor.
3. Loosen the jam nut on the auger motor tension bolt. (See picture)
4. Using the hex key, loosen the auger motor tension bolt located inside the paver screed head frame to relieve tension on the auger motor/chain. (See picture)
5. To tighten chain/motor, use reverse of loosening procedure. Chain has to be taut (less than 1/4" total lateral movement) before installing cover.
6. Apply grease to chain.

To install the paver head chain cover:

7. Remove silicone sealant from the groove around the inside perimeter of the paver head chain cover if cover had been previously installed.
8. Test fit cover to screed head to be certain that it is a flush fit.
9. Apply silicone sealant to the groove around the inside perimeter of the paver screed head chain cover.
10. Install cover bolt and lock nut.

