

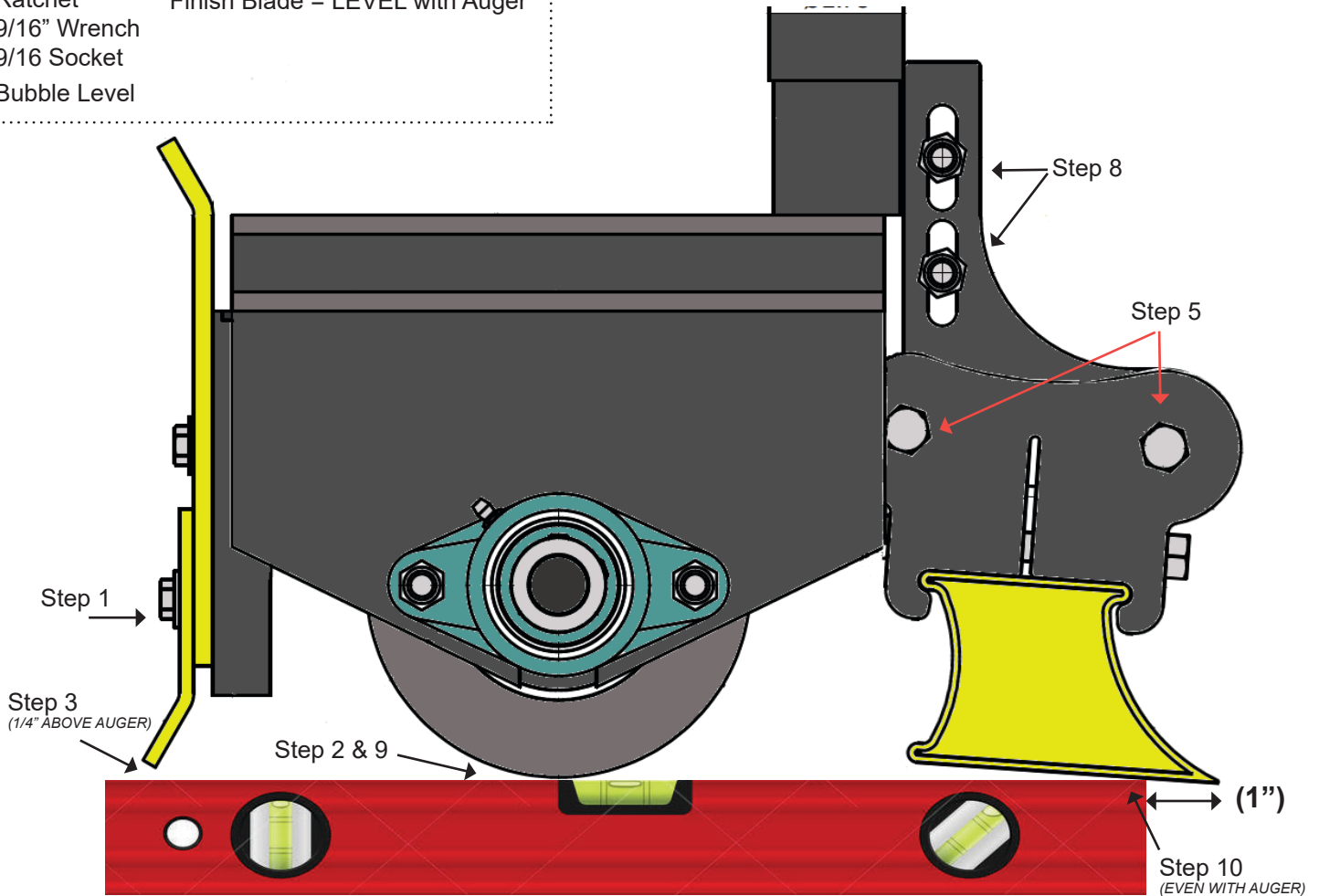
Quick Reference

Tools needed:

- 7/16" Socket
- Ratchet
- 9/16" Wrench
- 9/16 Socket
- Bubble Level

Settings:

- Plow = 1/4" ABOVE Auger
- Finish Blade = LEVEL with Auger



Note: The screed head has to be level for all adjustments to be accurate.

To level the screed head, boom out until a bubble level can be placed on the 6" boom section. Adjust downriggers until boom is level and screed head is relatively level from side to side.

1. Loosen but do not remove all the lower bolts on the lower section of the adjustable plow. Do not loosen upper bolts.
2. Place the bubble level so it rests on the flight of the auger and sits level.
3. Set the lower section of the plow 1/4" above the bubble level and tighten the nearest lower plow bolt. Recheck for accuracy.
4. Repeat plow adjustment (Steps 2 & 3) for opposite side of the screed head. Retighten all plow bolts.
5. Loosen the outer lock nuts on the finish blade bushings.
6. Torque the finish blade down so the outer bushing's stud in the slotted hole of the bracket is at its lowest position. (See picture for orientation). Then retighten bushing lock nuts.
7. Repeat finish blade pitch (Steps 5 & 6) for the opposite side of the screed head.
8. Loosen the bolts & lock nuts from the finish blade height adjustment bracket.
- (NOTE: Some newer style screedheads come with a finish blade height adjustment screw (pictured). To adjust height, loosen the jam nut and turn the screw clockwise to raise and counter clockwise to lower the finish blade.)
9. Place the bubble level so it sits on the flight of the auger and sits level.
10. Set the finish blade height so it is EVEN with the auger flighting at a distance of 1" in from the finish blade edge (bubble level edge MUST touch finish blade at 1" in from finish blade edge). Retighten bolts & lock nuts. Recheck for accuracy.
11. Repeat finish blade height adjustment (Steps 8, 9, & 10) for the opposite side of the screed head.

