

Door Controls

ASSA ABLOY

Experience a safer
and more open world

NORTON

Price List

USA and Canada Prices Effective March 16, 2020

Tools And Rules

Business Hours.....	4
2020 Holiday and Inventory Schedule	4
Ordering Tips and Checklist	5
Order Form	6
How to Sign up for:	
eBusiness	7
Fax Program – Order Acknowledgements and Invoices.....	7
Terms and Conditions	8-9
Limited Warranty.....	10
Trademark Use Policy.....	11
Finishes and Fasteners	12
*#2 Door Holder.....	13
*78-B/F Series Closers and Accessories	13-14
160 Series Closers	15
210 Series Closers	15
410 Series Closers	16
1600BC Series.....	17
1601 Series Closers.....	18
1600BC, 1601 Accessories.....	20
1700 Series Closers and Accessories	21
*2800ST Cam Action Closers and Accessories	21
7500 Series Closers.....	22-23
7500 Accessories	24-25
Special Application Closers	25
7900 Overhead Concealed Closers.....	27
8101 Series Closers.....	28
8301 Series Closers.....	29-30
8501 Series Closers.....	31-32
8000 Accessories.....	33-34
9300BC Series Closers and Accessories	35-36
9500 Series Closers.....	37-38
9540 Series Closers.....	39
Corrosion Resistant Closers	
*1600BCSS and 1601SS.....	19
*7500SS	23
Security Closers	
*7570.....	26
*7970 Overhead Closers	27

Electrified

Operators	
5600 Series	40
5700 Series	41
5800 Series	42
6000 Series	43-45
6300 Series	46
Accessories	47-48
*7100SZ SafeZone®.....	49
7200 Electromechanical Closers	50-51
7700PT Power Track®.....	52
Parts	
Closer Bodies	53
Fasteners	54-55
Arm and Arm Assemblies	
1600BC, 1601, 7500, 8000, 9300BC.....	56-58
9500.....	58
9540.....	58
Low Profile.....	59
Parallel Rigid, CloserPlus®, CloserPlus Ramp™ CloserPlus Spring™, and Rigid.....	59-60
1700.....	60
Stainless Steel.....	60
Security.....	61
Unitrol® (Parallel and Top Jamb)	61-62
Slide Track	63
78-B/F	63-64
2800ST	64
7900, 7970	64

Electrified

Operators	
5600 Series	65
5700 Series	65
6000 Series	66-67
6300 Series	68
SafeZone®.....	69
Electromechanical.....	70
Power Track®	71

* Unique products offered by Norton®

For special application needs, please contact Technical Product Support at 877-974-2255

USA & Canada Prices Effective March 16, 2020

Norton and Rixson are brands associated with ASSA ABLOY Accessories and Door Controls Group, Inc., an ASSA ABLOY Group company. Copyright © 2002-2020, ASSA ABLOY Accessories and Door Controls Group, Inc. All rights reserved. Reproduction in whole or in part without the express written permission of ASSA ABLOY Accessories and Door Controls Group, Inc. is prohibited. Contact Norton: 877-974-2255 or visit www.nortondoорcontrols.com; Contact RIXSON: 800-457-5670 or visit www.rixson.com. In Canada contact us at: 800-461-3007 or visit www.assaabloydss.ca

Tools and Rules		Overhead Concealed Closers	107
Service Center Business Hours.....	74	Commodity Grade 608 Series	
Holiday Schedule.....	74	Architectural Grade 700 & 800 Series	
Ordering Protocol.....	74	Architectural Grade 91 Series	
Trademark Use Policy.....	75	Pivots and Pivot Sets	115
E-Business.....	76	Offset Pivot Sets	
Fax Program.....	77	117-1/4, 117, 173, 147, L147, 117-1/2, L117	
Limited Warranty	78	Intermediate Pivots	
Terms and Conditions	79	Pocket Pivots	
Finish Definitions	81	Electrified Pocket Pivots	
Heavy Duty Floor Closers	82	Electrified Intermediate Pivots	
Offset Hung		Center Hung Pivot Sets	
27, 127, 427, 327, L27, Q27, HM27, 20		127-3/4, 128-3/4, 370, 375, 117-3/4, H117-3/4,	
Single Acting Center Hung		178, 176	
28, H28, 328, 428, EH28		Center Hung Top Pivots	
Double Acting Center Hung		Electrified Center Hung Top Pivots	
30, 40, H40		Checkmate® Stops & Holders	125
Shallow Depth Floor Closers	93	Thresholds	131
Offset Hung		Electromagnetic Door Holder/Releases	135
51, 53, Q51, HM51		Electrified Closer/Holders	137
Single Acting Center Hung		Smok-Chek® V	
50, 5040		Smok-Chek® VI	
Double Acting Center Hung		Checkmate® 99	
5020		Parts	141
Specialty Closers	101		
Duo Chek® Double Acting Floor Closers			
10, 12, 15, 16			
Gate Closers			
354, 355, 356, 357, 359			
Security Closers			
SEC27			
Exterior Gate Closers			
1351			
Door Control Accessories	105		
Caster			
Special Cement Cases			
Cover Pans			
Applied Stop			
Installation Tools			

SERVICE CENTER BUSINESS HOURS

ASSA ABLOY Door Security Solutions
Customer Service – Monroe
1902 Airport Road
Monroe, NC 28110
Tel: (800) 438-1951
Fax: (800) 338-0965

Hours of Operation
8:00 a.m. – 4:30 p.m. (Eastern)

ASSA ABLOY Service Center Inc. – Southwest
5678 Concours Street
Ontario, CA 91764
Tel: (909) 593-2100
Fax: (909) 593-2500

Hours of Operation
7:30 a.m. - 4:00 p.m. (Pacific)

Norton Technical Product Support
3000 Highway 74 East
Monroe, NC 28112
Tel: (877) 974-2255
Fax: (704) 233-1608

Hours of Operation
8:00 a.m. – 4:30 p.m. (Eastern)

ASSA ABLOY Door Security Solutions Canada
Customer Service – Vaughan
160 Four Valley Drive
Vaughan ON L4K 4T9
Telephone #: (800) 461-3007
Fax #: (800) 461-8989

Hours of Operation
8:00 a.m. – 4:30 p.m. (Eastern)

HOLIDAY AND INVENTORY SCHEDULE*

Norton Door Controls will be CLOSED on the following dates:

USA

April 10
May 25
July 3
September 7
October 30, 31 (Inventory)
November 26, 27
December 24, 25

Canada

April 10: Good Friday
May 18: Victoria Day
July 1: Canada Day
August 3: Civic Holiday
September 7: Labour Day
October 12: Thanksgiving Day
December 25: Christmas Day
December 26: Boxing Day

* Dates subject to change

ASSA ABLOY

Experience a safer
and more open world

USA & Canada Prices Effective March 16, 2020

Norton and Rixson are brands associated with ASSA ABLOY Accessories and Door Controls Group, Inc., an ASSA ABLOY Group company. Copyright © 2002-2020, ASSA ABLOY Accessories and Door Controls Group, Inc. All rights reserved. Reproduction in whole or in part without the express written permission of ASSA ABLOY Accessories and Door Controls Group, Inc. is prohibited. Contact Norton: 877-974-2255 or visit www.nortondoortools.com; Contact RIXSON: 800-457-5670 or visit www.rixson.com. In Canada contact us at: 800-461-3007 or visit www.assaabloydss.ca

ORDERING TIPS

- Please submit Quick Ship Product Orders and Factory Product Orders on separate order forms.
- If you have a Quote, please include it with the purchase order. Orders without this information included may be delayed.
- Be sure to include Finish for all Closers and Most Accessories.
- Be sure to include Voltage on 7100SZ's, 7200's and Power Track® orders.
- Be sure to include Door Width for Unitrol® (UNI's) orders.
- Be sure to include Handing for all #2 Holders, 78-B/F's, 7100SZ's, 7200's, 7900's and Security Closers.
- Be sure to include RA or PA Arms for 78-B/F's.
- Be sure to include Size on 7100SZ's and 7200's.
- Be sure to include Depth of Reveal for Unitrol's Top Jamb (UNIJ's).

CHECKLIST

Before placing your order, check for the following...

- Purchase Order on Company Letterhead
- Purchase Order is Legible
- Purchase Order Number
- Account Number
- Ship To Address
- Contact Person for Additional Information Requirements
- Pricing Requirements – Buying Program or CPQ (please attach)
- Quick Ship Order (Quick Ship Order Form or Stock #'s Included)
- Handing (#2 Holders, 78-B/F's, 7100SZ's, 7200's, 7900's and Security Closers)
- Door Width (UNI's)
- Finish (all Closers, most Accessories)
- Size (7100SZ's, 7200's)
- Voltage (7100SZ's, 7200's, Power Track®)
- Depth of Reveal (UNIJ's)
- Arms (RA or PA for 78B/F's)

ORDER FORM

It is recommended that the Door Closers Order Form included on page 6 of this price book be used when placing orders for Norton® products. Copies of this form can also be printed from our website (www.nortondoорcontrols.com).

ASSA ABLOY

Experience a safer
and more open world

USA & Canada Prices Effective March 16, 2020

Norton and Rixson are brands associated with ASSA ABLOY Accessories and Door Controls Group, Inc., an ASSA ABLOY Group company. Copyright © 2002-2020, ASSA ABLOY Accessories and Door Controls Group, Inc. All rights reserved. Reproduction in whole or in part without the express written permission of ASSA ABLOY Accessories and Door Controls Group, Inc. is prohibited. Contact Norton: 877-974-2255 or visit www.nortondoорcontrols.com; Contact RIXSON: 800-457-5670 or visit www.rixson.com. In Canada contact us at: 800-461-3007 or visit www.assaabloydss.ca

WEBSITE

For the latest information regarding Norton® products, visit our website at www.nortondoorcontrols.com. The site is easy to navigate and gives quick access to catalogs, templates, installation instructions, product bulletins, etc.

TEMPLATES AND INSTALLATION INSTRUCTIONS

All Norton® templates and installation instructions are available on our website.

Extranet

Visit www.nortondoorcontrols.com to sign up for Extranet access. To sign up for Extranet, follow the simple instructions listed below. Register today and start enjoying the many benefits! Extranet offers anytime access to:

- Order Status
- Order Check by P.O.
- Stock Status Check
- Cross Reference Guide
- Newsletters
- Online Store
- Contact Webmaster
- Extended Literature (Price Books, Order Forms)
- Fax Program Sign Up
- Order Acknowledgements
- Invoices
- Return Good Authorizations



How to sign up for Extranet access:

- Step 1: Visit our website at www.nortondoorcontrols.com.
- Step 2: Double-click Extranet icon (top right corner).
- Step 3: Complete ASSA ABLOY Door Security Solutions Extranet sign-up form.

FAX PROGRAM

To receive company Acknowledgements, Invoices and Return Good Authorizations quickly and efficiently, sign up for the Fax Program. Note: eBusiness User ID and Password required (refer to page 7)

- Step 1: Log onto eBusiness
- Step 2: Click on “Customer Service” tab (left side of screen)
- Step 3: Click on “Fax Program Signup”
- Step 4: Fill in appropriate information
- Step 5: Click on “Sign Up For Fax Program”



ASSA ABLOY

Experience a safer
and more open world

USA & Canada Prices Effective March 16, 2020

Norton and Rixson are brands associated with ASSA ABLOY Accessories and Door Controls Group, Inc., an ASSA ABLOY Group company. Copyright © 2002-2020, ASSA ABLOY Accessories and Door Controls Group, Inc. All rights reserved. Reproduction in whole or in part without the express written permission of ASSA ABLOY Accessories and Door Controls Group, Inc. is prohibited. Contact Norton: 877-974-2255 or visit www.nortondoorcontrols.com; Contact RIXSON: 800-457-5670 or visit www.rixson.com. In Canada contact us at: 800-461-3007 or visit www.assaabloyds.com

For Terms & Conditions and Warranty information pertaining to product sales in Canada, please visit www.assaabloy.ca/terms.

ACCEPTANCE

Norton reserves the right to decline an order, in whole or in part, when the type or quantity of goods or credit worthiness of the Purchaser is not satisfactory to us in our sole and absolute discretion. Purchase Orders, Quote Requests, Acknowledgements or the like issued by the Purchaser that have contrary standard terms and conditions are not binding on Norton, unless such terms and conditions are approved in a separate written agreement by Norton® authorized representatives. In the event of an acceptance of Purchaser's Purchase Order by Norton, the Purchaser agrees that such acceptance is solely conditioned on Purchaser's acceptance of the terms and conditions set forth in this instrument, regardless of the terms and conditions specified in Purchaser's Purchase Order. The terms and conditions in Purchaser's Purchase Order which conflict with the terms and conditions of this instrument shall be disregarded and are hereby rejected, and this instrument shall constitute the entire agreement between Norton and the Purchaser.

In the event that Norton does not enforce or require strict performance of any term or condition hereof, or of any other document, instrument or other agreement relating to goods sold, such lack of enforcement or requirement of strict performance will not waive, affect or diminish any right of Norton to enforce or require strict performance of such term or condition in the future.

PRICES

All prices are subject to change without notice and are not guaranteed. All shipments will be made at prices in effect at the time of shipment.

Possession of this price list does not constitute an agreement to sell. We reserve the right to correct clerical, stenographic and other obvious errors at any time.

TERMS

Invoices dated the 1st through the 15th will be due for 2% discount on the *10th of the following month. Invoices dated the 16th through the 31st will be due for 2% discount on the *25th of the following month. *Net immediately thereafter. (Norton retains the right to sell or to decline to sell to any Customer for any reason whatsoever that in its judgment is deemed sufficient.)

It is understood that Norton may impose and charge a finance charge which is the lesser of one and one-half percent (1-1/2%) per month or the highest rate allowed by law on any amount which becomes past due and delinquent. Additionally the Customer shall be responsible for all collection costs, court costs and reasonable attorney's fees (where allowed by law) in connection with the recovery of any delinquent amount.

FREIGHT

All orders are shipped FOB factory/warehouse, except as expressly provided below. When delivered to the Transportation Company, the Purchaser assumes the risk of loss or damage in transit.

Customer orders with net product value in excess of \$3,000.00 will be shipped prepaid by NORTON's carrier of choice to a single destination point in the United States. Orders for Norton and RIXSON goods can be combined on one purchase order to meet the \$3,000.00 minimum value for prepaid shipping.

Customer orders with net product value less than \$3,000.00 will be shipped prepaid by NORTON's carrier of choice and freight and handling charges will be added to the Customer's invoice.

A minimum freight and handling charge of \$25.00 will be charged on orders with net product value of \$600.00 or less.

For orders with net product value greater than \$600.00 and less than \$3,000.00, freight charges will be calculated as a percentage of the net invoice value and will be added to Customer's invoice. The percentage is based on the National U.S. Average On Highway Diesel Fuel Prices as reported by the US Department of Energy in effect at the beginning of each quarter. On the first Monday of each quarter, the new rate will be published on the NORTON and Door Security Solutions extranet and will go into effect on the 2nd Monday of the quarter. Please refer to the NORTON distributor extranet for the rate chart and information on the current freight charge percentage. The percentage in effect at the time of shipment of the order will be charged.

If a customer provides their own freight account # for the freight charges, NORTON will apply a handling fee of \$25.00 to the invoice.

Expedited shipping options – If the customer requests an expedited method of shipment such as "Next Day Air" the charges will be prepaid by NORTON and the full rate for the service, as published by the carrier, will be added to the customer's invoice.

Packing – NORTON will pack, mark and ship the products according to its standard procedures for shipment, unless the parties agree, in writing, that NORTON will comply with any special instructions provided by the customer. Special instructions must be submitted, in writing, at time of order placement. Compliance with special instructions may result in an increased price.

MINIMUM ORDER

Minimum order value for complete product is \$250.00 net product value. The minimum order value for parts orders is \$100.00 net product value. In the event that the net product value does not meet the required net minimum, NORTON may, at its sole discretion (a) apply a minimum order charge, (b) reject the order or (c) waive the minimum requirement provided that the waiver of the requirement for one order shall not constitute a waiver of the requirement for any future orders.

QUOTATIONS

If Norton elects to offer a quote, such quote will be valid for one hundred eighty (180) days. Complete shipment of the order must be accepted by Purchaser within standard lead times.

The quote number must be referenced on the order. Any invoiced order that has the incorrect discount applied to it and did not have the quote number written on the order will have a service fee of \$100.00 net DEDUCTED from any sales credit issued for the difference in discount.

The quote is null and void if the Purchase Order does not include **ALL** product lines listed on the quote or if the quantities for any item covered by the quote deviate by **10%** or more.

With the issuance and acceptance of a quote for the purchase of products, the Purchaser agrees that products so purchased will not be resold or transferred to any Distributor not authorized by Norton to sell its products. This would be inclusive of branches of the quoted Distributor. Failure to abide by this restriction may result in the Distributor's ineligibility for Quotations, or other actions in Norton's discretion.

Norton and its sales representatives reserve the right, in their sole discretion and for any reason, to refuse a Distributor's request to quote a price other than Norton standard list price and regardless of whether Norton or its sales representatives have previously quoted discounted prices to the Distributor on some or all of its orders.

NON-CATALOGED PRODUCTS

Products not cataloged or listed in this price book will be considered as special products, and will not be manufactured without prior written approval from Norton.

A minimum special handling charge of \$50.00 will be added for non-cataloged product. Any additional labor or material required will be charged accordingly.

Special products require special handling, and therefore standard lead times may not apply. Please consult with your Norton® Sales Representative for further details.

CHANGES/CANCELLATION OF ORDERS

Changes or cancellations to an order will result in a charge of costs for material and labor expenses that have been incurred prior to notification from Customer. If products have already been made and are located in the shipping room, the 45% change/cancellation fee will apply. Handling charges are billed on Customer's original order.

All Non-Cataloged Goods and NORTON Quick Ship Orders may not be changed or cancelled.

All change requests for goods, other than for the reasons stated above, must be submitted in writing to Customer Service within two (2) business days of receipt of acknowledgment of the order.

USA & Canada Prices Effective March 16, 2020

ASSA ABLOY

Norton and Rixson are brands associated with ASSA ABLOY Accessories and Door Controls Group, Inc., an ASSA ABLOY Group company. Copyright © 2002-2020, ASSA ABLOY Accessories and Door Controls Group, Inc. All rights reserved. Reproduction in whole or in part without the express written permission of ASSA ABLOY Accessories and Door Controls Group, Inc. is prohibited. Contact Norton: 877-974-2255 or visit www.nortondoorsolutions.com; Contact RIXSON: 800-457-5670 or visit www.rixson.com. In Canada contact us at: 800-461-3007 or visit www.assaabloydss.ca

Experience a safer
and more open world

For Terms & Conditions and Warranty information pertaining to product sales in Canada, please visit www.assaabloy.ca/terms.

ADD-ON ORDERS TO QUOTE

Any new order requesting special pricing to match an existing quote number, which has already been ordered, will be accepted up to sixty (60) days after the acknowledgement of the original order. All add-on orders must reference the original factory order number and the corresponding quote number to receive the quoted pricing discount. Add-on orders for stock will not be accepted.

PACKAGING

Many items are defined as to Case Lot Packaging or Minimum Order. The Case Lot policy does not apply to hardware to be used on a specific hardware project.

DELIVERY

Orders will be acknowledged and given a scheduled delivery date based on estimated manufacturing lead times. Complete information is required to process all orders. Orders with insufficient information for processing (i.e. door sizes, handing, etc.) may be subject to extended lead times which are relative to the time required in obtaining the necessary information for order processing. Manufacturing lead time will begin once all information is received to process an order. Norton will use reasonable efforts to deliver products as estimated, but makes no guarantees as to delivery dates.

Norton will not be liable for back charges incurred based on availability of product or as a result of delays in delivery caused by insufficient information required to process an order.

Norton will not be held responsible for delays in delivery caused by strikes, fires, floods or any other causes beyond our control, including the delivery of material to us. Under no circumstances shall Norton be liable or accountable for consequential damages due to failure of delivery.

CLAIMS

In the event of Company or Customer error, claims for shortages, pricing errors and/or incorrectly filled orders must be submitted in writing to Customer Service within thirty (30) days from receipt of material.

Any claims for shortages or damage by the Carrier must be made by the Customer directly to the Carrier.

INVOICE DEDUCTION

A NORTON Sales Representative or Customer Service Representative must be notified of any disputed invoices within sixty (60) days from the date of invoice. Deductions should only be taken for the disputed amount and the balance of the invoice is due and payable within standard payment terms.

RETURNED GOODS

It is the policy of Norton to not accept returns of any materials that are correctly furnished as per the Distributor's Purchase Order. Return of product due to customer order error or accommodation must be pre-arranged with Norton and approved in writing by Sales Management.

No Returns accepted for the following: Specials, Anything Used, Discontinued, Modified, or Damaged Product, Electrical Products, Incomplete Products (e.g. arms, covers brackets, etc) or 10B Finished products.

All products returned as "Goodwill" must meet the following criteria to be considered a return:

- Be in original, unmarked and undamaged cartons.
- Be valued in excess of \$250.00 net.
- Shipped and invoiced within the previous 120 days.
- Can't be custom, non-cataloged goods, Norton Quick Ship or 10B Finished products.

A **MINIMUM** reprocessing fee of **45%** will be charged. Upon receipt and verification by Norton that the returned merchandise meets the foregoing conditions, a credit will be issued for the original invoice amount less the **MINIMUM 45%** reprocessing fee. Defective goods and "Goodwill" products that meet the foregoing criteria may be returned by fulfilling the following conditions:

- Send an RGA request in writing to the NORTON Sales Representative serving the Purchaser's area.

- Ensure the RGA labels that are sent to Purchaser by Norton are visible on return goods shipment.
- Ensure that the RGA number appears on the return shipment label and is legible.
- Return the authorized merchandise within sixty (60) days from the date of RGA issuance date.
- Return shipments must be freight prepaid to the location specified on the RGA. Norton is not liable for damages to product during shipping.

No credit may be taken or issued prior to RGA approval and receipt of product. All defective goods within the terms of our limited warranty may be returned for credit or replacement.

TAXES

Prices do not include any present or future Federal, State, or Local property, license, privilege, sales, use, excise, gross receipts or other like taxes or assessments, which may result from transactions or any services performed in connection herewith.

GOVERNING LAW

The rights and obligations of the parties shall be governed by the laws of the State of North Carolina, excluding any conflicts of law provisions. The United Nations Convention on Contracts for the International Sale of Goods shall not apply to this Agreement.

LIMITED WARRANTY

The Terms and Conditions outlined above are subject to Norton's Limited Warranty, which is included in this Price List and incorporated herein by reference.

PRODUCT MODIFICATIONS

NORTON products are not designed or intended for aftermarket modification. The warranty on NORTON products becomes void if the product is modified in any way, regardless of whether the modification causes or contributes to any alleged defect. Warranty voiding modifications include, but are not limited to, third-party electrification of non-electric products and/or the installation of non-approved or non-Norton components.

If a NORTON product is modified it no longer meets industry certification and quality control standards applicable to the original product and is no longer a genuine NORTON product. A modified product may not be sold as a NORTON product and no NORTON trademarks or certification marks based on the original NORTON product, such as U.L. or ANSI/BHMA marks, may appear anywhere on the modified product or on any packaging, literature, or instructions sold with the modified product.

All original NORTON packaging and literature carries NORTON trademarks and must be destroyed if the original NORTON product is modified. Portions of the product that carry a NORTON trademark or certification mark must be discarded and/or replaced by the party making the modification. U.L. and other certification testing and marking are also the responsibility of the party making modification. The use of NORTON trademarks on modified products constitutes trademark infringement.

TECHNICAL INFORMATION AND ADVICE

(a) All designs, data, and specifications provided by Company are proprietary and will not be disclosed or reused by Customer without the prior written consent of Company; (b) Company assumes no obligation or liability for any advice given by Company, the results obtained, or damages incurred, and all such advice is given and accepted at Customer's risk.

RETROFITTING FIRE DOOR APPLICATIONS

Any retrofit or other field modification to a fire rated opening can potentially impact the fire rating of the opening and NORTON makes no representations or warranties concerning what such impact may be in any specific situation. When retrofitting any portion of an existing fire rated opening, or specifying and installing a new fire-rated opening, please consult with a code specialist or local code official (Authority Having Jurisdiction) to ensure compliance with all applicable codes and ratings.

USA & Canada Prices Effective March 16, 2020

ASSA ABLOY

Experience a safer
and more open world

Norton and Rixson are brands associated with ASSA ABLOY Accessories and Door Controls Group, Inc., an ASSA ABLOY Group company. Copyright © 2002-2020, ASSA ABLOY Accessories and Door Controls Group, Inc. All rights reserved. Reproduction in whole or in part without the express written permission of ASSA ABLOY Accessories and Door Controls Group, Inc. is prohibited. Contact Norton: 877-974-2255 or visit www.nortondoortcontrols.com; Contact RIXSON: 800-457-5670 or visit www.rixson.com. In Canada contact us at: 800-461-3007 or visit www.assaabloydss.ca

For Terms & Conditions and Warranty information pertaining to product sales in Canada, please visit www.assaabloy.ca/terms.

LIMITED WARRANTY

Yale Security Inc® (the “Company”) warrants that its products sold under the NORTON trade name in the United States of America are free from defects in workmanship and materials under normal use and service.

This warranty does not cover defects or damage arising from improper installation, lack of or improper maintenance, improper storage, shipping and handling, ordinary wear and tear, misuse, abuse, accident, unauthorized service, use with unauthorized non-Norton products or parts or the effects of erosion, or corrosion on the finish. This warranty is void if any modification is made to the product, regardless of whether the modification causes or contributes to the alleged defect. All modifications are made at the risk of the party making the modification.

The only liability of the Company in tort or contract whether under this warranty or otherwise shall be limited to the repair or replacement of any product or component part which shall prove defective as covered by this warranty.

The warranty period after delivery to the original purchaser in all cases is as follows:

NORTON Door Controls:

5600 Series	1 year
5700, 5800 ADAEZ®, 6000, 6300, 7100SZ SafeZone®, 7200 Electromechanical, 7700 PowerTrack® Series	2 years
160, 1700, 9300BC Series	5 years
78B/F, 210, 410, 2800ST, 7900 Series	10 years
7500, 7700 (discontinued Jan. 2015), 8000, 1600, 9500, 9540 Series	25 years*

The Company will not pay for the cost of repair performed other than in accordance with this warranty. Written notice of a product or component part believed to be defective as covered by this warranty should be sent to Yale Security, Inc. 1902 Airport Road, Monroe, NC 28110, and should include your name and address, an identification of the product or component part and a brief description of the defect. Upon receipt of such notice, the Company will inform you where to ship such product or component part, shipping charges prepaid, for examination and, in the event such examination reveals defect covered by this warranty, the product will be repaired or replaced.

THIS WARRANTY IS IN LIEU OF ALL OTHER EXPRESS WARRANTIES. TO THE EXTENT PERMITTED BY LAW, ALL IMPLIED WARRANTIES ARE LIMITED TO THE DURATION OF THIS WARRANTY. YALE SECURITY INC. SHALL NOT BE LIABLE FOR ANY INCIDENTAL OR CONSEQUENTIAL DAMAGES.

SOME STATES DO NOT ALLOW LIMITATIONS ON HOW LONG AN IMPLIED WARRANTY LASTS OR THE EXCLUSION OR LIMITATION OF INCIDENTAL OR CONSEQUENTIAL DAMAGES, SO THE ABOVE LIMITATIONS OR EXCLUSIONS MAY NOT APPLY TO YOU. THIS WARRANTY GIVES YOU SPECIFIC LEGAL RIGHTS, AND YOU MAY ALSO HAVE OTHER RIGHTS, WHICH VARY FROM STATE TO STATE.

*Product must be manufactured after August 1, 2012.

Norton
Limited Warranty

The following policy (“Policy”) of ASSA ABLOY Americas (“ASSA ABLOY”), and all of its affiliated group companies (collectively, the “Group Companies”), applies to the use of certain intellectual property of all such Group Companies, including all trademarks, names, logos, product images, and related information (the “ASSA ABLOY Marks”). ASSA ABLOY Marks are proprietary and critical to the success of ASSA ABLOY and the Group Companies, and may only be used in strict compliance with this Policy. This Policy covers any person or entity reselling any product of any Group Company with the consent of such Group Company (each, an “Approved Reseller”). Each Approved Reseller has a non-exclusive right to use certain of the ASSA ABLOY Marks relating to any of the Group Companies for which it is an Approved Reseller, subject to the following conditions:

- (1) Approved Reseller’s use of ASSA ABLOY Marks must be truthful, fair, and not misleading;
- (2) Approved Reseller’s advertising must clearly indicate that it is advertising of the Approved Reseller, and is not advertising of ASSA ABLOY;
- (3) Approved Reseller may not use any ASSA ABLOY Marks as part of or in connection with a domain name;
- (4) Approved Reseller’s advertising must not imply or suggest an association between the Approved Reseller and ASSA ABLOY other than that of buyer and seller;
- (5) Approved Reseller’s use of ASSA ABLOY Marks must be a positive representation of ASSA ABLOY, the Group Companies, and their products;
- (6) Approved Reseller’s trade name must be more predominant on Approved Reseller’s advertising than the ASSA ABLOY Marks;
- (7) Approved Reseller’s use of ASSA ABLOY Marks must include the trademark symbol ® or TM, as appropriate, along with the following trademark legend printed in legible text on the Web page or document containing ASSA ABLOY Marks: “[describe ASSA ABLOY Marks] are trademarks or registered trademarks of ASSA ABLOY, Inc. or one of its affiliates in the United States and other countries.”;
- (8) Approved Reseller must not make modifications of any ASSA ABLOY Marks; and
- (9) Approved Reseller may use only ASSA ABLOY Marks associated with the Group Companies for which it is an Approved Reseller (e.g., an Approved Reseller that sells Group Company X products but not Group Company Y products may use Group Company X trademarks in connection with its sale of Group Company X products, but may not use Group Company Y trademarks).

ASSA ABLOY reserves the right to review Approved Reseller’s usage of ASSA ABLOY Marks at any time and may:

- (a) require changes to the use of ASSA ABLOY Marks at any time in its sole discretion, which changes must be implemented within 30 days of written notice to Approved Reseller;
- (b) condition the use of ASSA ABLOY Marks on ASSA ABLOY’s prior approval of such use, which approval may be withheld in its sole discretion;
- (c) revoke permission to use ASSA ABLOY Marks at any time for any or no reason upon 30 days prior written notice to Approved Reseller; and
- (d) revoke permission to use ASSA ABLOY Marks immediately upon notice to Approved Reseller in the event Approved Reseller is in violation of this Policy, or of any other agreement with ASSA ABLOY or any Group Company.

Approved Reseller’s right to use ASSA ABLOY Marks in no way conveys to Approved Reseller any proprietary or economic interest in any ASSA ABLOY Marks. Use of ASSA ABLOY Marks in violation of this Policy may result in severe civil and criminal liabilities. ASSA ABLOY will vigorously enforce this Policy by seeking all appropriate legal remedies, including, but not limited to, pecuniary damages and injunctive relief.

Norton offers waterborne acrylic, polyester powder coat and plated finishes. Custom finishes are available on special order. Not every finish is available on every closer series; please refer to product catalog or customer service for confirmation. Prices listed in this book are for waterborne (sprayed) or powder coat finishes. Additional charges apply for plated finishes.

ANSI/BHMA	DESCRIPTION
689	Aluminum
690	Dark Bronze
691	Light Bronze
693	Black
694	Medium Amber
696	Satin Brass
613E	Dark Oxidized Satin Bronze - Equivalent
BSP	Black Suede
WSP	White Suede

Closer bodies and plastic covers are available in waterborne acrylic finishes; arms and metal covers are available in powder coat or plated finishes.

ADDITIONAL PLATING CHARGES	
SERIES 8501, 7500, 9500, 9540	605, 606, 611, 612, 619, 625, 626
Arm	ADD \$330.00
*Cover - Metal	ADD \$227.00
Drop Plates	ADD \$199.00
Sex Nuts	ADD \$31.00
Soffit Plates	ADD \$101.00

ANSI/BHMA	DESCRIPTION
605 [^]	Bright Brass
606 [^]	Satin Brass
611 [^]	Bright Bronze
612 [^]	Satin Bronze
619 [^]	Satin Nickel
625 [^]	Bright Chrome
626 [^]	Satin Chrome

[^] Designates plated finishes.

ADDITIONAL PLATING CHARGES	
SERIES 1600BC, 1601	605, 606, 611, 612, 619, 625, 626
Arm	ADD \$330.00

ADDITIONAL PLATING CHARGES	
SERIES 7900, 7970	605, 606, 611, 612, 619, 625, 626
Arm	ADD \$330.00
Dress Plates	ADD \$330.00

*Metal cover suffix "M" to closer model number. Cost of metal cover included in additional charge.

SPECIAL FINISHES:

* Contact factory for availability * A set-up fee will be added to EACH purchase order that lists non-standard sprayed or powder coat finishes.	ADD \$832.00
Discount 50% only. Fee will appear as a separate line item on invoice: SETUPDCG.	
600 special rust inhibiting prime coat.	ADD \$37.00
LEAD LINED METAL COVER	ADD \$186.00
GROMMET NUTS ¹ : Suffix "TBGN" to model number. Ordered with closer - PKG of 4 each	N/C
SEX NUTS ¹ : Bolts excluded Ordered with closer - Sprayed Steel - PKG of 4 each Ordered with closer - Stainless Steel - PKG of 4 each	ADD \$2.00 ADD \$85.00
Torx [®] TOOL KIT #20-0040-0868-005 Includes one handle/driver and six bits; T10, T15, T20, T25, T27 and T30 Note: Furnished no charge with first 30 closers. Another kit furnished with each additional 52 closers.	ADD \$188.00

¹See page 54 for packages.

DOOR CLOSER PAINT (PRICE PER CAN)

(12 cans per carton)

MODEL NO.	PRODUCT DESCRIPTION	LIST PRICE
1A	Aluminum Spray Paint (689)	\$37.00
2BZ	Light Bronze Spray Paint (691)	
5S	Dark Bronze (STAT) Spray Paint (690)	
6SB	Gold Spray Paint (696)	
78BSP	Black Suede Powder Coat (BSP)	

USA & Canada Prices Effective March 16, 2020

ASSA ABLOY

Norton and Rixson are brands associated with ASSA ABLOY Accessories and Door Controls Group, Inc., an ASSA ABLOY Group company. Copyright © 2002-2020, ASSA ABLOY Accessories and Door Controls Group, Inc. All rights reserved. Reproduction in whole or in part without the express written permission of ASSA ABLOY Accessories and Door Controls Group, Inc. is prohibited. Contact Norton: 877-974-2255 or visit www.nortondoortcontrols.com; Contact RIXSON: 800-457-5670 or visit www.rixson.com. In Canada contact us at: 800-461-3007 or visit www.assaabloydss.ca

Experience a safer
and more open world



#2 DOOR HOLDER

MODEL NO.	PRODUCT DESCRIPTION	APPROX. SHIPPING WEIGHT (lbs)	LIST PRICE (689, 690, 691, 693, 694, 696)
#2	Door Holder	3	\$248.00
#2 x 1618D	Door Holder x 1618D Bracket		
9-B, 9-B/C, 9-E/F	Adaptor Plates		\$107.00



78-B/F SERIES

(4 per case)

NON-HOLD OPEN

MODEL NO.	PRODUCT DESCRIPTION	APPROX. SHIPPING WEIGHT (lbs)	LIST PRICE (689, 690, 691, 693, 694, 696)
78B/D-RA	Regular Arm	10	\$1,217.00
78E/F-RA			
78B/D-PA	Parallel Arm		
78E/F-PA			
78B/D-DA*	Delayed Action (Regular Arm Only)		\$1,263.00
78E/F-DA*			
78B/D-PRA	Parallel Rigid Arm	\$1,241.00	
78E/F-PRA			
^UNI78B/D	Unitrol® Arm	13	\$1,474.00
^UNI78E/F			

HOLD OPEN

78B/D-HA	Regular 90° - 180° Holder Arm	11	\$1,265.00
78E/F-HA			
78B/D-PHA	Parallel 90° - 180° Holder Arm		
78E/F-PHA			
78B/D-PRHA	Parallel Rigid Hold Open Arm		\$1,300.00
78E/F-PRHA			
^UNI78B/D-H	Unitrol® Hold Open Arm	13	\$1,563.00
^UNI78E/F-H			

^When Ordering Specify Door Width. *Specify hand - not field reversible.

ASSA ABLOY

Experience a safer
and more open world

USA & Canada Prices Effective March 16, 2020

Norton and Rixson are brands associated with ASSA ABLOY Accessories and Door Controls Group, Inc., an ASSA ABLOY Group company. Copyright © 2002-2020, ASSA ABLOY Accessories and Door Controls Group, Inc. All rights reserved. Reproduction in whole or in part without the express written permission of ASSA ABLOY Accessories and Door Controls Group, Inc. is prohibited. Contact Norton: 877-974-2255 or visit www.nortondoortools.com; Contact RIXSON: 800-457-5670 or visit www.rixson.com. In Canada contact us at: 800-461-3007 or visit www.assaabloydss.ca

BACKPLATES AND DROP PLATES

MODEL NO.	PRODUCT DESCRIPTION	LIST PRICE (689, 690, 691, 693, 694, 696)
88	Parallel Arm Drop Plate	\$113.10
9-B	Adaptor Plate	\$107.00
9-B/C		
9-E/F		

ACCESSORIES

1-B/F	Soffit Bracket	\$184.00
2-B/F	Corner Bracket	\$194.00
5-B/F		
6-B/F	Adjustable Bracket	
7-B/F	Offset Adjustable Bracket	\$282.00
8-B/F	Combination Bracket	\$194.00
*1618	Standard Soffit Plate, Non-Hold Open	\$32.90
*2018	Soffit Bracket (Mounting Between Doors)	\$46.30
*2018B	Narrow Frame/Removable Stop Soffit Plate	
*2018D	Blade/Applied Stop Soffit Plate	
*2018S	Extra-Clearance Offset Soffit Plate	
*2019L	Flush Rabbeted Transom Angle Bracket	\$34.20
^2019S	Standard Spacer Block	\$10.70
*2022	Flush Transom Angle Bracket	\$46.30
*2403B	Molded/Bull Nose Trim Bracket	
*2403-3/4		
80		
**6190	Unitrol® Soffit Plate Support Bracket	\$50.40
6191	Unitrol® Wide Frame Reinforcing Kit	\$63.20
6890	Narrow Frame Support Bracket	\$57.80
6891	Clearance/Support Blade Stop	

*No charge when ordered with closer.

**Furnished standard with all Parallel Arm Unitrols, no extra.

^ Furnished standard with NHO and HO heavy-duty arms (PRA, PRHA)

When ordering 6191 in place of 6190, no extra.

USA & Canada Prices Effective March 16, 2020

ASSA ABLOY

Experience a safer
and more open world

Norton and Rixson are brands associated with ASSA ABLOY Accessories and Door Controls Group, Inc., an ASSA ABLOY Group company. Copyright © 2002-2020, ASSA ABLOY Accessories and Door Controls Group, Inc. All rights reserved. Reproduction in whole or in part without the express written permission of ASSA ABLOY Accessories and Door Controls Group, Inc. is prohibited. Contact Norton: 877-974-2255 or visit www.nortondoорcontrols.com; Contact RIXSON: 800-457-5670 or visit www.rixson.com. In Canada contact us at: 800-461-3007 or visit www.assaabloydss.ca



160 SERIES

(6 per case)

MODEL NO.	PRODUCT DESCRIPTION	APPROX. SHIPPING WEIGHT (lbs)	LIST PRICE (689, 690)
161BFxTPN	Tri-Packed (Regular, Parallel, Top Jamb Mounting), Adjustable size 1-4, Non-Hold Open	6	\$203.00
161BFxOP2	Tri-Packed (Regular, Parallel, Top Jamb Mounting), Adjustable size 1-4, Non-Hold Open, Packed with Cover		\$227.00
164xTPN	Tri-Packed (Regular, Parallel, Top Jamb Mounting), Size 4, Non-Hold Open		\$190.00
161BFxTPH	Tri-Packed (Regular, Parallel, Top Jamb Mounting), Adjustable size 1-4, Hold Open		\$251.00

ACCESSORIES

160P	Cover	\$20.00
------	-------	---------



210 SERIES

(4 per case)

Adjustable spring sizes 1-6

MODEL NO.	PRODUCT DESCRIPTION	APPROX. SHIPPING WEIGHT (lbs)	LIST PRICE (689, 690)
210xTPN	Tri-Packed (Regular, Parallel, Top Jamb Mounting); Non-Hold Open	6.5	\$245.00
210xTPH	Tri-Packed (Regular, Parallel, Top Jamb Mounting); Hold Open		\$331.00
210xHDN	Heavy-Duty, Non-Hold Open Arm with Removable Stop	7.75	\$351.00
210xHDH	Heavy-Duty, Hold Open Thumbturn Arm with Removable Stop		\$381.00

ACCESSORIES

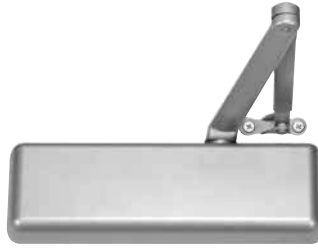
210P	Cover	\$29.00
SP210	Screw pack (TPN arm)	\$12.00

ASSA ABLOY

Experience a safer
and more open world

USA & Canada Prices Effective March 16, 2020

Norton and Rixson are brands associated with ASSA ABLOY Accessories and Door Controls Group, Inc., an ASSA ABLOY Group company. Copyright © 2002-2020, ASSA ABLOY Accessories and Door Controls Group, Inc. All rights reserved. Reproduction in whole or in part without the express written permission of ASSA ABLOY Accessories and Door Controls Group, Inc. is prohibited. Contact Norton: 877-974-2255 or visit www.nortondoortcontrols.com; Contact RIXSON: 800-457-5670 or visit www.rixson.com. In Canada contact us at: 800-461-3007 or visit www.assaabloydss.ca



410 SERIES

(3 per case)

Adjustable spring sizes 1-6

MODEL NO.	PRODUCT DESCRIPTION	APPROX. SHIPPING WEIGHT (lbs)	LIST PRICE (689, 690)
410xTPN	Tri-Packed (Regular, Parallel, Top Jamb Mounting); Non-Hold Open	12	\$431.00
410xTPH	Tri-Packed (Regular, Parallel, Top Jamb Mounting); Hold Open		\$464.00
410DAxTPN	Tri-Packed, Non-Hold Open, Delayed Action		\$475.00
410xHDN	Heavy-Duty, Non-Hold Open Arm with Removable Stop	14	\$488.00
410xHDH	Heavy-Duty, Hold Open Arm with Removable Stop		\$521.00
410xCPS	Heavy-Duty, Non-Hold Open Arm w/ Removable Stop and Spring Buffer		\$617.00
410xCPST	Heavy-Duty, Hold Open Arm w/ Removable Stop and Spring Buffer		\$650.00

BACKPLATES AND DROP PLATES

410RDP	Narrow Frame Drop Plate (Regular Arm)	\$90.00
410PDP	Narrow Top Rail Drop Plate (Parallel Arm)	

ACCESSORIES

410COV	Cover	\$30.00
--------	-------	---------

USA & Canada Prices Effective March 16, 2020

ASSA ABLOY

Experience a safer
and more open world

Norton and Rixson are brands associated with ASSA ABLOY Accessories and Door Controls Group, Inc., an ASSA ABLOY Group company. Copyright © 2002-2020, ASSA ABLOY Accessories and Door Controls Group, Inc. All rights reserved. Reproduction in whole or in part without the express written permission of ASSA ABLOY Accessories and Door Controls Group, Inc. is prohibited. Contact Norton: 877-974-2255 or visit www.nortondoорcontrols.com; Contact RIXSON: 800-457-5670 or visit www.rixson.com. In Canada contact us at: 800-461-3007 or visit www.assaabloydss.ca



1600BC SERIES – Specify Size 3 or 4

(6 per case)

NON-HOLD OPEN

MODEL NO.	PRODUCT DESCRIPTION	APPROX. SHIPPING WEIGHT (lbs)	LIST PRICE (689, 690, 691, 693, 694, 696, 613E, BSP, WSP)
1600BC	Regular, Parallel, Top Jamb to 3" Reveal	8	\$254.00
J1600BC	Top Jamb Only, Reveals 2-3/4" to 7"		
1680BC	Regular Low Profile Arm		
P1680BC	Parallel Low Profile Arm	9	\$278.00
PR1600BC	Parallel Rigid Arm		\$319.00
CLP1600BC	CloserPlus® Arm		\$477.00
CPS1600BC	CloserPlus Spring™ Arm	10	\$511.00
^UNI1600BC	Unitrol® Door Control		\$556.00
*UNIJ1600BC	Top Jamb, Unitrol® Door Control		\$319.00
CA1600BC	Cushion Stop Arm	8	

HOLD OPEN

1600BCH	Regular, Parallel, Top Jamb to 3" Reveal	8	\$302.00
J1600BCH	Top Jamb Only, Reveals 2-3/4" to 6-3/4"		
PR1600BCH	Parallel Rigid Arm (Handed)	9	\$337.00
CLP1600BCT	CloserPlus® Arm		\$380.00
CPS1600BCT	CloserPlus Spring™ Arm		\$539.00
^UNI1600BCH	Unitrol® Door Control	10	\$600.00
*UNIJ1600BCH	Top Jamb, Unitrol® Door Control		\$658.00

*When Ordering Specify Reveal.

^When Ordering Specify Door Width.

Note: Sex Nuts furnished standard with PR, CLP, CPS and UNI arms.

OPTION

P	Cover suffix "P" to model number	Add \$19.00
---	----------------------------------	-------------

Refer to page 12 for plating charges.

1601 SERIES – Adjustable Sizes 1 thru 6

(6 per case)

NON-HOLD OPEN

MODEL NO.	PRODUCT DESCRIPTION	APPROX. SHIPPING WEIGHT (lbs)	LIST PRICE (689, 690, 691, 693, 694, 696, 613E, BSP, WSP)
1601	Regular, Parallel, Top Jamb to 3" Reveal	8	\$254.00
J1601	Top Jamb Only, Reveals 2-3/4" to 7"		
1681	Regular Low Profile Arm		
P1681	Parallel Low Profile Arm		
PR1601	Parallel Rigid Arm	9	\$278.00
CLP1601	CloserPlus® Arm		\$319.00
CPS1601	CloserPlus Spring™ Arm		\$477.00
^UNI1601	Unitrol® Door Control	10	\$511.00
*UNIJ1601	Top Jamb, Unitrol® Door Control		\$556.00
CA1601	Cushion Stop Arm	8	\$319.00

HOLD OPEN

1601H	Regular, Parallel, Top Jamb to 3" Reveal	8	\$302.00
J1601H	Top Jamb Only, Reveals 2-3/4" to 6-3/4"		
PR1601H	Parallel Rigid Arm (Handed)	9	\$337.00
CLP1601T	CloserPlus® Arm		\$380.00
CPS1601T	CloserPlus Spring™ Arm		\$539.00
^UNI1601H	Unitrol® Door Control	10	\$600.00
*UNIJ1601H	Top Jamb, Unitrol® Door Control		\$658.00

*When Ordering Specify Reveal.

^When Ordering Specify Door Width.

Note: Sex Nuts furnished standard with PR, CLP, CPS and UNI arms.

OPTIONS

P	Cover suffix "P" to list number	Add \$19.00
---	---------------------------------	-------------

Refer to page 12 for plating charges.

USA & Canada Prices Effective March 16, 2020

ASSA ABLOY

Experience a safer
and more open world

Norton and Rixson are brands associated with ASSA ABLOY Accessories and Door Controls Group, Inc., an ASSA ABLOY Group company. Copyright © 2002-2020, ASSA ABLOY Accessories and Door Controls Group, Inc. All rights reserved. Reproduction in whole or in part without the express written permission of ASSA ABLOY Accessories and Door Controls Group, Inc. is prohibited. Contact Norton: 877-974-2255 or visit www.nortondoortcontrols.com; Contact RIXSON: 800-457-5670 or visit www.rixson.com. In Canada contact us at: 800-461-3007 or visit www.assaabloydss.ca

1600BCSS SERIES - Specify Size 3 or 4

(6 per case)

NON-HOLD OPEN

MODEL NO.	PRODUCT DESCRIPTION	APPROX. SHIPPING WEIGHT (lbs)	LIST PRICE (689, 690, 691, 693, 694, 696, 613E, BSP, WSP)
1600BCSS	Regular, Top Jamb to 3" Reveal	8	\$642.00
P1600BCSS	Parallel Arm		
J1600BCSS	Top Jamb Only, Reveals 2-3/4" to 7"		

1601SS SERIES - Adjustable Sizes 1 thru 6

(6 per case)

NON-HOLD OPEN

1601SS	Regular, Top Jamb to 3" Reveal	8	\$642.00
P1601SS	Parallel Arm		
J1601SS	Top Jamb Only, Reveals 2-3/4" to 7"		

Stainless Steel Closers not discounted beyond 50%. Excluded from Buying Program.

1601SS OPTIONS ONLY

P	Cover suffix "P" to model number (Stainless Steel cover not available)	Add \$19.00
---	--	-------------

BACKPLATES AND DROP PLATES

MODEL NO.	PRODUCT DESCRIPTION	LIST PRICE
		(689, 690, 691, 693, 694, 696, 613E, BSP, WSP)
1687	Low Ceiling Clearance Drop Plate	\$44.00
1688	Overhead Holder or Narrow Top Jamb Drop Plate	
1688C	Parallel Arm Drop Plate (used when optional cover is supplied)	
1699	Retrofit Adaptor Plate	\$54.00
2017		\$35.80

ACCESSORIES*

*1618A	Standard Soffit Plate, Non-Hold Open	\$27.90
1618A-SS	Stainless Steel Soffit Plate	\$68.70
*1628H	Standard Soffit Plate, Hold Open	\$27.90
1647	Corner Bracket	\$134.00
*2018	Soffit Bracket (Mounting Between Doors)	\$46.30
*2018B	Narrow Frame/Removable Stop Soffit Plate	
*2018D	Blade/Applied Stop Soffit Plate	
*2018S	Extra Clearance Offset Soffit Plate	
*2019L	Flush Rabbeted Transom Angle Bracket	\$34.20
2022	Flush Transom Angle Bracket	\$46.30
^2019S	Standard Spacer Block	\$10.70
2019S-7/8	Spacer Block for use w/ 5/8" Stop and 1/4" Weatherstrip (PR, CLP, CPS only)	\$23.20
2019S-25	Spacer Block for Wide Soffit and 1/4" Weatherstrip (PR, CLP, CPS only)	\$35.20
*2403B	Molded/Bull Nose Trim Bracket	\$46.30
*2403-3/4		
80		
**6190	Unitrol® Soffit Plate Support Bracket	\$50.40
6191	Unitrol® Wide Frame Reinforcing Kit	\$63.20
6191B-25	Unitrol® Wide Frame Reinforcing for Wide Soffit and 1/4" Weatherstrip	\$111.70
6890	Narrow Frame Support Bracket	\$57.80
6891	Clearance/Support Blade Stop	
1600P	Plastic Cover	\$42.00
1639	Pinion Cap	\$5.60

* No charge when ordered with closer.

** Furnished regularly with all Parallel Arm Unitrols, no extra.

^ Furnished standard with NHO and HO heavy-duty arms (PR, CLP, CPS).

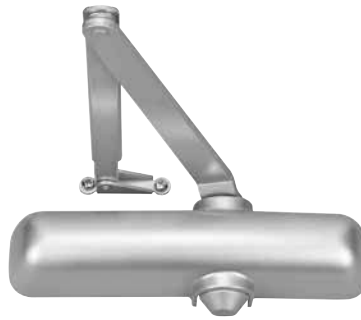
When ordering 6191 in place of 6190, no extra.

USA & Canada Prices Effective March 16, 2020

ASSA ABLOY

Experience a safer
and more open world

Norton and Rixson are brands associated with ASSA ABLOY Accessories and Door Controls Group, Inc., an ASSA ABLOY Group company. Copyright © 2002-2020, ASSA ABLOY Accessories and Door Controls Group, Inc. All rights reserved. Reproduction in whole or in part without the express written permission of ASSA ABLOY Accessories and Door Controls Group, Inc. is prohibited. Contact Norton: 877-974-2255 or visit www.nortondoорcontrols.com; Contact RIXSON: 800-457-5670 or visit www.rixson.com. In Canada contact us at: 800-461-3007 or visit www.assaabloydss.ca



1700 SERIES

(10 per case)

MODEL NO.	PRODUCT DESCRIPTION	APPROX. SHIP WT. (lbs)	LIST PRICE (689, 690)
1700	Regular, Parallel, Top Jamb, Non-Hold Open	3-1/2	\$250.00
1700H	Regular, Parallel, Top Jamb, Hold Open	4	\$286.00

DROP PLATES

N1756,N1757, N1758	Drop Plates		\$81.00
-----------------------	-------------	--	---------



2800ST CAM ACTION

MODEL NO.	PRODUCT DESCRIPTION	APPROX. SHIP WT. (lbs)	LIST PRICE (689, 690, 691, 693, 694, 696)
2800ST	Pull Side, Non-Hold Open	8	\$606.00
2800STH	Pull Side, Hold Open		\$634.00
PS2800ST	Push Side, Non-Hold Open		\$606.00
PS2800STH	Push Side, Hold Open		\$634.00

DROP PLATE AND RETROFIT PLATE

2888	Push Side, Drop Plate		\$51.00
------	-----------------------	--	---------



7500 SERIES - Adjustable Sizes 1 thru 6

(4 per case)

NON-HOLD OPEN

MODEL NO.	PRODUCT DESCRIPTION	APPROX. SHIPPING WEIGHT (lbs)	LIST PRICE (689, 690, 691, 693, 694, 696, 613E, BSP, WSP)
7500	Regular, Parallel or Top Jamb to 3" Reveal	13	\$546.00
S7500	Regular Arm Application Only		
JS7500	Top Jamb Application Only; 3" Maximum Reveal		
P7500	Parallel Arm Application Only		
J7500	Top Jamb Only, Reveals 2-3/4" to 7" (to 150°), 7786 Backplate Included		
JL7500	Top Jamb Only, Reveals 2-3/4" to 7" (to 180°), 7786 Backplate Included		
J7530	Top Jamb Only, Reveals 0-3", 7786 Backplate Included		
7580	Regular Low Profile Arm		
P7580	Parallel Low Profile Arm		
7500ST	Pull Side Slide Track		
7540ST	Pull Side, Low Profile Slide Track		
PS7500ST	Push Side Slide Track		
PS7540ST	Push Side, Low Profile Slide Track		
PR7500	Parallel Rigid Arm	14	\$570.00
CLP7500	CloserPlus® Arm		\$611.00
CPS7500	CloserPlus Spring™ Arm		\$769.00
^UNI7500	Unitrol® Door Control	15	\$803.00
*UNIJ7500	Top Jamb, Unitrol® Door Control		\$848.00

*When Ordering Specify Reveal.

^When Ordering Specify Door Width.

Note: Sex Nuts furnished standard with PR, CLP, CPS and UNI arms.

Refer to page 12 for plating charges.

USA & Canada Prices Effective March 16, 2020

ASSA ABLOY

Norton and Rixson are brands associated with ASSA ABLOY Accessories and Door Controls Group, Inc., an ASSA ABLOY Group company. Copyright © 2002-2020, ASSA ABLOY Accessories and Door Controls Group, Inc. All rights reserved. Reproduction in whole or in part without the express written permission of ASSA ABLOY Accessories and Door Controls Group, Inc. is prohibited. Contact Norton: 877-974-2255 or visit www.nortondoortools.com; Contact RIXSON: 800-457-5670 or visit www.rixson.com. In Canada contact us at: 800-461-3007 or visit www.assaabloydss.ca

Experience a safer
and more open world

7500 SERIES - Adjustable Sizes 1 thru 6

(4 per case)

HOLD OPEN

MODEL NO.	PRODUCT DESCRIPTION	APPROX. SHIPPING WEIGHT (lbs)	LIST PRICE (689, 690, 691, 693, 694, 696, 613E, BSP, WSP)
7500H	Regular, Parallel or Top Jamb to 3" Reveal	13	\$594.00
J7500H	Top Jamb Only, Reveals 2-3/4" to 6-3/4" (to 150°)		
JL7500H	Top Jamb Only, Reveals 2-3/4" to 6-3/4" (to 180°)		
7500STH	Pull Side Slide Track	13	\$654.00
7540STH	Pull Side, Low Profile Slide Track		
PS7500STH	Push Side Slide Track		
PS7540STH	Push Side, Low Profile Slide Track		
PR7500H	Parallel Rigid Arm (Handed)	14	\$629.00
CLP7500R	CloserPlus Ramp™ Arm		\$672.00
CLP7500T	CloserPlus® Arm		\$831.00
CPS7500T	CloserPlus Spring™ Arm	15	\$892.00
^UNI7500H	Unitrol® Door Control		\$950.00
*UNIJ7500H	Top Jamb, Unitrol® Door Control		

*When Ordering Specify Reveal.

Refer to page 12 for plating charges.

^When Ordering Specify Door Width.

Note: Sex Nuts furnished standard with PR, CLP, CPS and UNI arms.

7500SS SERIES (Non-Hold Open Only)

(4 per case)

MODEL NO.	PRODUCT DESCRIPTION	APPROX. SHIPPING WEIGHT (lbs)	LIST PRICE (689, 690, 691, 693, 694, 696, 613E, BSP, WSP)
7500SS	Regular Arm or Top Jamb to 3" Reveal	14	\$1,142.00
P7500SS	Parallel Arm		
J7500SS	Top Jamb, Reveals 2-3/4" to 7"		

Stainless Steel Closers not discounted beyond 50%. Excluded from Buying Program.

OPTIONS

DA	Delayed Action suffix "DA" to model number	Add \$46.00
PRO	Offset Soffit Plate prefix "PRO" to model number (N/A in Stainless Steel)	Add \$28.00
EBC	Enhanced Backcheck suffix "EBC" to model number	Add \$37.00
M	Metal Cover suffix "M" to model number (N/A in Stainless Steel)	Add \$5.00
G	ABS Plastic Cover suffix "G" to model number	
MLL	Lead Lined Metal Cover	Add \$186.00
DE	Double Egress suffix "DE" to Slide Track model number (handed) hinge side only. (N/A in Stainless Steel)	Add \$84.00
R	Regular rigid heavy-duty arm prefix "R" to model number. Torx® screws not included (N/A in Stainless Steel) - See page 55 for Torx® screw packages.	Add \$47.00

ASSA ABLOY

Experience a safer
and more open world

USA & Canada Prices Effective March 16, 2020

Norton and Rixson are brands associated with ASSA ABLOY Accessories and Door Controls Group, Inc., an ASSA ABLOY Group company. Copyright © 2002-2020, ASSA ABLOY Accessories and Door Controls Group, Inc. All rights reserved. Reproduction in whole or in part without the express written permission of ASSA ABLOY Accessories and Door Controls Group, Inc. is prohibited. Contact Norton: 877-974-2255 or visit www.nortondoortcontrols.com; Contact RIXSON: 800-457-5670 or visit www.rixson.com. In Canada contact us at: 800-461-3007 or visit www.assaabloydss.ca

ACCESSORIES

MODEL NO.	PRODUCT DESCRIPTION	LIST PRICE
		(689, 690, 691, 693, 694, 696, 613E, BSP, WSP)
*1618	Standard Soffit Plate, Non-Hold Open	\$32.90
1618A-SS	Stainless Steel Soffit Plate	\$68.70
*1628H	Standard Soffit Plate, Hold Open	\$27.90
*2018	Soffit Bracket (Mounting Between Doors)	\$46.30
*2018B	Narrow Frame/Removable Stop Soffit Plate	
*2018D	Blade/Applied Stop Soffit Plate	
*2018S	Extra-Clearance Offset Soffit Plate	
~*2019L	Flush Rabbeted Transom Angle Bracket	\$34.20
~^2019S	Standard Spacer Block	\$10.70
2019S-7/8	Spacer Block for use w/ 5/8" Stop and 1/4" Weatherstrip (PR, CLP, CPS only)	\$23.20
2019S-25	Spacer Block for Wide Soffit and 1/4" Weatherstrip (PR, CLP, CPS only)	\$35.20
*2022	Flush Transom Angle Bracket	\$46.30
*2403B	Molded/Bull Nose Trim Bracket	
*2403-3/4		
80		
**6190	Unitrol® Soffit Plate Support Bracket	\$50.40
6191	Unitrol® Wide Frame Reinforcing Kit	\$63.20
6191B-25	Unitrol® Wide Frame Reinforcing for Wide Soffit and 1/4" Weatherstrip	\$111.70
~6890	Narrow Frame Support Bracket	\$57.80
~6891	Clearance/Support Blade Stop	

* No charge when ordered with closer.

** Furnished regularly with all Parallel Arm Unitrols, no extra.

^ Furnished standard with NHO and HO heavy-duty arms (PR, CLP, CPS).

When ordering 6191 in place of 6190, no extra.

When ordering 6191 in place of 6190, no extra.

~Also available with 7570 Security Closers.

Refer to page 12 for plating charges.

COVERS

7700P	7500 Series Plastic Covers - Painted	\$40.00
7700PG	7500 Series ABS Plastic Covers - Painted	\$45.00
7700M	7500 Series Metal Covers - Painted	
J7700M	J7500 Series Metal Covers - Painted (Handed)	\$272.00
7700M	7500 Series Metal Covers - Plated	
J7700M	J7500 Series Metal Covers - Plated (Handed)	

USA & Canada Prices Effective March 16, 2020

ASSA ABLOY

Experience a safer
and more open world

Norton and Rixson are brands associated with ASSA ABLOY Accessories and Door Controls Group, Inc., an ASSA ABLOY Group company. Copyright © 2002-2020, ASSA ABLOY Accessories and Door Controls Group, Inc. All rights reserved. Reproduction in whole or in part without the express written permission of ASSA ABLOY Accessories and Door Controls Group, Inc. is prohibited. Contact Norton: 877-974-2255 or visit www.nortondoortcontrols.com; Contact RIXSON: 800-457-5670 or visit www.rixson.com. In Canada contact us at: 800-461-3007 or visit www.assaabloydss.ca

BACKPLATES AND DROP PLATES

MODEL NO.	PRODUCT DESCRIPTION	LIST PRICE	
		(689, 690, 691, 693, 694, 696, 613E, BSP, WSP)	
7786	Narrow Frame Drop Plate	\$93.00	
7786OH	Overhead Door Holder Drop Plate		
7786JP	Slide Track Backplate		
7787	Low Ceiling Clearance Drop Plate		
7788	Narrow Top Rail Drop Plate		
7789	Adapter Plate		
7790	Adaptor Plate for Converting 7404-5-6		
7797	Extra Drop Mounting Bracket	\$238.00	
7798	Standard Drop Corner Bracket		

RETROFIT PLATES

RP75-4040	Replaces LCN 4040	\$87.00	
RP75-4010	Replaces LCN 4010		
RP75-M2020	Replaces Rixson® M2020		

SPECIAL APPLICATION CLOSERS

MODEL NO.	PRODUCT DESCRIPTION	APPROX. SHIPPING WT.	LIST PRICE	
			(689, 690, 691, 693, 694, 696, 613E, BSP, WSP)	
7706STP	Slider Arm Pocket Door	13	\$712.00	
7706EPSTP				
7706DLP	Double Lever Pocket Door (Up to 36" Door)			
7706EPDLP	Double Lever Pocket Door (37" to 48" Door)			

7570 SERIES WITH SECURITY ARM, SECURITY COVER AND TORX® SCREWS
 – Adjustable Sizes 1 thru 6 – Specify Hand

(2 per case)

MODEL NO.	PRODUCT DESCRIPTION	APPROX. SHIPPING WEIGHT (lbs)	LIST PRICE (689, 690, 691, 693, 694, 696, 613E, BSP, WSP)
7570	Regular Rigid Arm	11	\$743.00
PR7570	Parallel Rigid Arm	12	\$767.00
CLP7570	CloserPlus® Arm		\$808.00
CPS7570	CloserPlus Spring™ Arm		\$966.00
CLP7570T	CloserPlus® Arm w/ Thumbturn Hold Open		\$869.00
CPS7570T	CloserPlus Spring™ Arm w/ Thumbturn Hold Open	13	\$1,028.00
UNI7570	Unitrol® Arm		\$1,000.00
7570ST	Pull Side Slide Track	12	\$808.00
PS7570ST	Push Side Slide Track		

OPTIONS

DA	Delayed Action suffix “DA” to model number	Add \$46.00
EBC	Enhanced Backcheck suffix “EBC” to model number	Add \$37.00

SECURITY COVERS

7770MRR	Regular Arm, Right Hand	\$158.00
7770MRL	Regular Arm, Left Hand	
7770MPR	Parallel Arm, Right Hand	
7770MPL	Parallel Arm, Left Hand	

DROP PLATES

7786	Narrow Frame	\$93.00
7788	Narrow Top Rail	

Security Closers are 50% off list only unless special factory quotation applies.
 Security Closers are excluded from buying programs.
 NOTE: Refer to page 24 for Accessories.

MULTI-SIZED 1-3 AND SIZE 4 AVAILABLE

7900 SERIES - Specify Hand (includes Dress Plate)

(4 per case)

NON-HOLD OPEN

MODEL NO.	PRODUCT DESCRIPTION	APPROX. SHIPPING WEIGHT (lbs)	LIST PRICE (689, 690, 691, 693, 694, 696, BSP, WSP)
7900	Multi-sized spring 1-3	12	\$819.00
7904	Size 4 spring		

HOLD OPEN

7900H	Multi-sized spring 1-3	12	\$862.00
7904H	Size 4 spring		

7970 SERIES - Specify Hand (includes Security Plate and Torx® Screws)

(4 per case)

NON-HOLD OPEN

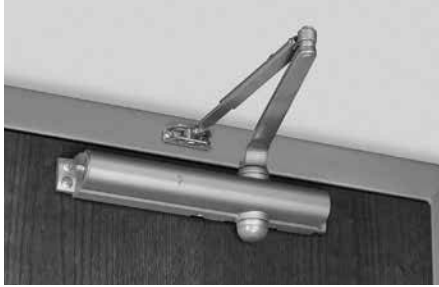
MODEL NO.	PRODUCT DESCRIPTION	APPROX. SHIPPING WEIGHT (lbs)	LIST PRICE (689, 690, 691, 693, 694, 696, BSP, WSP)
7970	Multi-sized spring 1-3	12	\$1,000.00
7974	Size 4 spring		
7970DPS	Door Position Switch, multi-sized spring 1-3		\$1,119.00
7974DPS	Door Position Switch, size 4 spring		

Security Closers (7970 Series) are 50% off list only unless special factory quotation applies. Security Closers are excluded from buying programs.

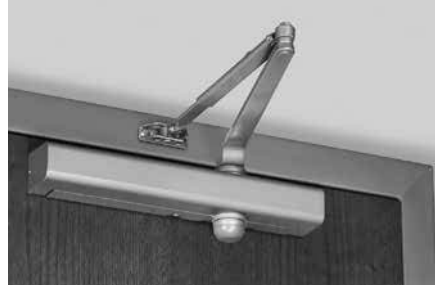
OPTIONS

DA	Delayed Action suffix "DA" to model number	Add \$46.00
EBC	Enhanced BackCheck suffix "EBC" to model number	Add \$37.00
FB	Fire Block suffix FB to model number (available on 7900, 7970 and 7970DPS)	Add \$88.00

Note: Butts and Pivots not furnished. Specify "B", "CP", or "OP" when requesting templates. Refer to page 12 for plating charges.



8101



8301



8501

8101 SERIES WITHOUT COVER – Adjustable Size 1 thru 6

(4 per case)

NON-HOLD OPEN

MODEL NO.	PRODUCT DESCRIPTION	APPROX. SHIPPING WEIGHT (lbs)	LIST PRICE (689, 690, 691, 693, 694, 696, 613E, BSP, WSP)
8101	Regular, Parallel, Top Jamb to 3" Reveal	8	\$367.00
S8101	Regular Arm Application Only		
JS8101	Top Jamb Application Only; 3" Maximum Reveal		
P8101	Parallel Arm Application Only		
J8101	Top Jamb, Reveals 2-3/4" to 7" (to 150°)		
PR8101	Parallel Rigid Arm	9	\$391.00
8181	Regular Low Profile Arm	8	\$367.00
P8181	Parallel Low Profile Arm		

HOLD OPEN

8101H	Regular, Parallel, Top Jamb to 3" Reveal	8	\$415.00
J8101H	Top Jamb, Reveals 2-3/4" to 6-3/4" (to 150°)		
PR8101H	Parallel Rigid Arm (Handed)	9	\$450.00

OPTIONS

DA	Delayed Action suffix "DA" to model number	Add \$46.00
PRO	Offset Soffit Plate prefix "PRO" to model number	Add \$28.00
R	Regular rigid heavy-duty arm prefix "R" to model number. Torx® screws not included. See page 55 for Torx® screw packages.	Add \$47.00

USA & Canada Prices Effective March 16, 2020

8301 SERIES WITH SLIM LINE COVER – Adjustable Size 1 thru 6

(4 per case)

NON-HOLD OPEN

MODEL NO.	PRODUCT DESCRIPTION	APPROX. SHIPPING WEIGHT (lbs)	LIST PRICE (689, 690, 691, 693, 694, 696, 613E, BSP, WSP)	
8301	Regular, Parallel or Top Jamb to 3" Reveal	8	\$386.00	
S8301	Regular Arm Application Only			
J8301	Top Jamb Application Only; 3" Maximum Reveal			
P8301	Parallel Arm Application Only			
J8301	Top Jamb, Reveals 2-3/4" to 7"			
8381	Regular Low Profile Arm			
P8381	Parallel Low Profile Arm			
8301ST	Pull Side Slide Track			\$451.00
8341ST	Pull Side, Low Profile Slide Track			
J8301ST	Top Jamb, Pull Side Slide Track			
PS8301ST	Push Side Slide Track			
PS8341ST	Push Side, Low Profile Slide Track			
PR8301	Parallel Rigid Arm	9	\$410.00	
CLP8301	CloserPlus® Arm		\$451.00	
CPS8301	CloserPlus Spring™ Arm		\$609.00	
^UNI8301	Unitrol® Door Control	10	\$643.00	
*UNIJ8301	Top Jamb, Unitrol® Door Control		\$688.00	

*When Ordering Specify Reveal.

^When Ordering Specify Door Width.

J8301ST - 8146 Drop Plate included.

Note: Sex Nuts furnished standard with PR, CLP, CPS and UNI arms.

OPTIONS

DA	Delayed Action suffix "DA" to model number	Add \$46.00
PRO	Offset Soffit Plate prefix "PRO" to model number	Add \$28.00
DE	Double Egress suffix "DE" to Slide Track model number (handed) (hinge side only)	Add \$84.00
R	Regular rigid heavy-duty arm prefix "R" to model number. Torx® screws not included. See page 55 for Torx® screw packages.	Add \$47.00

8301 SERIES WITH SLIM LINE COVER – Adjustable Size 1 thru 6

(4 per case)

HOLD OPEN

MODEL NO.	PRODUCT DESCRIPTION	APPROX. SHIPPING WEIGHT (lbs)	LIST PRICE (689, 690, 691, 693, 694, 696, 613E, BSP, WSP)
8301H	Regular, Parallel or Top Jamb to 2-3/4" Reveal	8	\$434.00
J8301H	Top Jamb, Reveals 2-3/4" to 6-3/4"		
8301STH	Pull Side Slide Track		\$494.00
8341STH	Pull Side, Low Profile Slide Track		
J8301STH	Top Jamb, Pull Side Slide Track		
PS8301STH	Push Side Slide Track		
PS8341STH	Push Side, Low Profile Slide Track		
PR8301H	Parallel Rigid Arm (Handed)	9	\$469.00
CLP8301R	CloserPlus Ramp™ Arm		\$512.00
CLP8301T	CloserPlus® Arm		\$671.00
CPS8301T	CloserPlus Spring™ Arm		\$732.00
^UNI8301H	Unitrol® Door Control	10	\$732.00
*UNIJ8301H	Top Jamb, Unitrol® Door Control		\$790.00

*When Ordering Specify Reveal.

^When Ordering Specify Door Width.

J8301H - 8146 Drop Plate included.

Note: Sex Nuts furnished standard with PR, CLP, CPS and UNI arms.

OPTIONS

DA	Delayed Action suffix "DA" to model number	Add \$46.00
PRO	Offset Soffit Plate prefix "PRO" to model number	Add \$28.00
DE	Double Egress suffix "DE" to Slide Track model number (handed) (hinge side only)	Add \$84.00
R	Regular rigid heavy-duty arm prefix "R" to model number. Torx® screws not included. See page 55 for Torx® screw packages.	Add \$47.00

USA & Canada Prices Effective March 16, 2020

ASSA ABLOY

Norton and Rixson are brands associated with ASSA ABLOY Accessories and Door Controls Group, Inc., an ASSA ABLOY Group company. Copyright © 2002-2020, ASSA ABLOY Accessories and Door Controls Group, Inc. All rights reserved. Reproduction in whole or in part without the express written permission of ASSA ABLOY Accessories and Door Controls Group, Inc. is prohibited. Contact Norton: 877-974-2255 or visit www.nortondoortcontrols.com; Contact RIXSON: 800-457-5670 or visit www.rixson.com. In Canada contact us at: 800-461-3007 or visit www.assaabloydss.ca

8501 SERIES WITH FULL COVER – Adjustable Size 1 thru 6

(4 per case)

NON-HOLD OPEN

MODEL NO.	PRODUCT DESCRIPTION	APPROX. SHIPPING WEIGHT (lbs)	LIST PRICE (689, 690, 691, 693, 694, 696, 613E, BSP, WSP)	
8501	Regular, Parallel or Top Jamb to 3" Reveal	8	\$400.00	
S8501	Regular Arm Application Only			
JS8501	Top Jamb Application Only; 3" Maximum Reveal			
P8501	Parallel Arm Application Only			
J8501	Top Jamb, Reveals 2-3/4" to 7"			
8581	Regular Low Profile Arm			
P8581	Parallel Low Profile Arm			
8501ST	Pull Side Slide Track			\$465.00
8541ST	Pull Side, Low Profile Slide Track			
J8501ST	Top Jamb, Pull Side Slide Track			
PS8501ST	Push Side Slide Track			
PS8541ST	Push Side, Low Profile Slide Track			
PR8501	Parallel Rigid Arm	9	\$424.00	
CLP8501	CloserPlus® Arm		\$465.00	
CPS8501	CloserPlus Spring™ Arm		\$623.00	
^UNI8501	Unitrol® Door Control	10	\$657.00	
*UNIJ8501	Top Jamb, Unitrol® Door Control		\$702.00	

*When Ordering Specify Reveal.

^When Ordering Specify Door Width.

J8501ST - 8146 Drop Plate included.

Note: Sex Nuts furnished standard with PR, CLP, CPS and UNI arms.

Refer to page 12 for plating charges.

OPTIONS

DA	Delayed Action suffix "DA" to model number	Add \$46.00
PRO	Offset Soffit Plate prefix "PRO" to model number	Add \$28.00
A	Plastic Architectural Cover suffix "A" to model number (painted only)	Add \$0.00
G	Plastic ABS cover suffix "G" to model number (painted only)	Add \$5.00
AG	Plastic Architectural ABS Cover suffix "AG" to model number (painted only)	
M	Metal Cover suffix "M" to model number	Add \$8.00
MA	Metal Architectural Cover suffix "MA" to model number (painted finishes)	
MLL	Lead Lined Metal Cover	Add \$186.00
DE	Double Egress prefix "DE" to model number (handed)	Add \$84.00
R	Regular rigid heavy-duty arm prefix "R" to model number. Torx® screws not included. See page 55 for Torx® screw packages.	Add \$47.00

USA & Canada Prices Effective March 16, 2020

ASSA ABLOY

Experience a safer
and more open world

Norton and Rixson are brands associated with ASSA ABLOY Accessories and Door Controls Group, Inc., an ASSA ABLOY Group company. Copyright © 2002-2020, ASSA ABLOY Accessories and Door Controls Group, Inc. All rights reserved. Reproduction in whole or in part without the express written permission of ASSA ABLOY Accessories and Door Controls Group, Inc. is prohibited. Contact Norton: 877-974-2255 or visit www.nortondoortcontrols.com; Contact RIXSON: 800-457-5670 or visit www.rixson.com. In Canada contact us at: 800-461-3007 or visit www.assaabloydss.ca

8501 SERIES WITH FULL COVER – Adjustable Size 1 thru 6

(4 per case)

HOLD OPEN

MODEL NO.	PRODUCT DESCRIPTION	APPROX. SHIPPING WEIGHT (lbs)	LIST PRICE (689, 690, 691, 693, 694, 696, 613E, BSP, WSP)
8501H	Regular, Parallel or Top Jamb to 2-3/4" Reveal	8	\$448.00
J8501H	Top Jamb, Reveals 2-3/4" to 6-3/4"		
8501STH	Pull Side Slide Track		\$508.00
8541STH	Pull Side, Low Profile Slide Track		
J8501STH	Top Jamb, Pull Side Slide Track		
PS8501STH	Push Side Slide Track		
PS8541STH	Push Side, Low Profile Slide Track		
PR8501H	Parallel Rigid Arm (Handed)	9	\$483.00
CLP8501R	CloserPlus Ramp™ Arm		\$526.00
CLP8501T	CloserPlus® Arm		\$685.00
CPS8501T	CloserPlus Spring™ Arm		\$746.00
^UNI8501H	Unitrol® Door Control	10	\$746.00
*UNIJ8501H	Top Jamb, Unitrol® Door Control		\$804.00

*When Ordering Specify Reveal.

^When Ordering Specify Door Width.

J8501STH - 8146 Drop Plate included.

Note: Sex Nuts furnished standard with PR, CLP, CPS and UNI arms.

Refer to page 12 for plating charges.

OPTIONS

DA	Delayed Action suffix "DA" to model number	Add \$46.00
PRO	Offset Soffit Plate prefix "PRO" to model number	Add \$28.00
A	Plastic Architectural Cover suffix "A" to model number (painted only)	Add \$0.00
G	Plastic ABS cover suffix "G" to model number (painted only)	Add \$5.00
AG	Plastic Architectural ABS Cover suffix "AG" to model number (painted only)	
M	Metal Cover suffix "M" to model number	Add \$8.00
MA	Metal Architectural Cover suffix "MA" to model number (painted finishes)	
MLL	Lead Lined Metal Cover	Add \$186.00
DE	Double Egress prefix "DE" to model number (handed)	Add \$84.00
R	Regular rigid heavy-duty arm prefix "R" to model number. Torx® screws not included. See page 55 for Torx® screw packages.	Add \$47.00

USA & Canada Prices Effective March 16, 2020

ASSA ABLOY

Norton and Rixson are brands associated with ASSA ABLOY Accessories and Door Controls Group, Inc., an ASSA ABLOY Group company.
Copyright © 2002-2020, ASSA ABLOY Accessories and Door Controls Group, Inc. All rights reserved. Reproduction in whole or in part
without the express written permission of ASSA ABLOY Accessories and Door Controls Group, Inc. is prohibited.
Contact Norton: 877-974-2255 or visit www.nortondoорcontrols.com; Contact RIXSON: 800-457-5670 or visit www.rixson.com.
In Canada contact us at: 800-461-3007 or visit www.assaabloydss.ca

BACKPLATES AND DROP PLATES

MODEL NO.	PRODUCT DESCRIPTION	LIST PRICE
		(689, 690, 691, 693, 694, 696, 613E, BSP, WSP)
8146	Narrow Top Rail/Concealed Door Holder Drop Plate	\$53.00
8148	Low Ceiling Clearance Drop Plate	
8158	Exposed-Back/Narrow Top Rail Drop Plate	
8445	Molded Full Cover Decorative Backplate	
8446	Exposed-Back Drop Plate Kit	\$106.00
8545	Exposed-Back Backplate	\$53.00
8545A		\$64.00
8546	Concealed Door Holder Drop Plate	\$53.00
8546A		\$102.00
8547	Low Ceiling Clearance/Overhead Door Holder Drop Plate	\$64.00
8547A		
8548	Exposed-Back/Narrow Top Rail Drop Plate	
8548A		
8549		\$106.00
8549A		\$117.00

Refer to page 12 for plating charges.

ACCESSORIES

MODEL NO.	PRODUCT DESCRIPTION	LIST PRICE
		(689, 690, 691, 693, 694, 696, 613E, BSP, WSP)
*1618A	Standard Soffit Plate, Non-Hold Open	\$27.90
*1628H	Standard Soffit Plate, Hold Open	
*2018	Soffit Bracket (Mounting Between Doors)	\$46.30
*2018B	Narrow Frame/Removable Stop Soffit Plate	
*2018D	Blade/Applied Stop Soffit Plate	
*2018S	Extra Clearance Offset Soffit Plate	
*2019L	Flush Rabbeted Transom Angle Bracket	\$34.20
^2019S	Standard Spacer Block	\$10.70
2019S-7/8	Spacer Block for use w/ 5/8" Stop and 1/4" Weatherstrip (PR, CLP, CPS only)	\$23.20
2019S-25	Spacer Block for Wide Soffit and 1/4" Weatherstrip (PR, CLP, CPS only)	\$35.20
*2022	Flush Transom Angle Bracket	\$46.30
*2403B	Molded/Bull Nose Trim Bracket	
*2403-3/4		
80		
**6190	Unitrol® Soffit Plate Support Bracket	\$50.40
6191	Unitrol® Wide Frame Reinforcing Kit	\$63.20
6191B-25	Unitrol® Wide Frame Reinforcing for Wide Soffit and 1/4" Weatherstrip	\$111.70
6890	Narrow Frame Support Bracket	\$57.80
6891	Clearance/Support Blade Stop	

*No charge when ordered with closer.

** Furnished regularly with all Parallel Arm Unitrols.

^ Furnished standard with NHO and HO heavy-duty arms (PR, CLP, CPS).

When ordering 6191 in place of 6190, no extra.

Refer to page 12 for plating charges.

COVERS

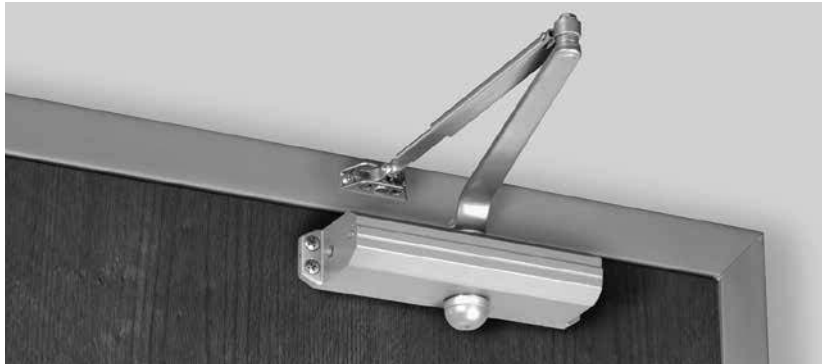
8200P	Plastic Slim-Line Cover	\$19.00
8200PG	ABS Plastic Slim-Line Cover	\$27.00
1639	Pinion Cap (used with Slim-Line Cover)	\$5.60
8400P	Plastic Full Cover	\$33.00
8400PG	ABS Plastic Full Cover	\$39.00
8400A	Optional Plastic Architectural Cover	\$33.00
8400AG	Optional Plastic Architectural ABS Cover	\$39.00
8400M	Metal Cover	\$41.00
8400M	When Ordered with Closer in Place of 8400P	\$8.00
8400MA	Optional Metal Architectural Cover	\$41.00
8400MA	When Ordered with Closer in Place of 8400P	\$8.00

USA & Canada Prices Effective March 16, 2020

ASSA ABLOY

Experience a safer
and more open world

Norton and Rixson are brands associated with ASSA ABLOY Accessories and Door Controls Group, Inc., an ASSA ABLOY Group company. Copyright © 2002-2020, ASSA ABLOY Accessories and Door Controls Group, Inc. All rights reserved. Reproduction in whole or in part without the express written permission of ASSA ABLOY Accessories and Door Controls Group, Inc. is prohibited. Contact Norton: 877-974-2255 or visit www.nortondoortcontrols.com; Contact RIXSON: 800-457-5670 or visit www.rixson.com. In Canada contact us at: 800-461-3007 or visit www.assaabloydss.ca



9300BC SERIES - Specify Size 3 or 4

(6 per case)

NON-HOLD OPEN

MODEL NO.	PRODUCT DESCRIPTION	APPROX. SHIPPING WEIGHT (lbs)	LIST PRICE (689, 690, 691, 693, 694, 696)
9303BC	Regular Arm	6	\$263.00
9304BC			
P9303BC	Parallel Arm		
P9304BC			

HOLD OPEN

9303BCH	Regular Hold Open Arm	6	\$311.00
9304BCH			
P9303BCH	Parallel Hold Open Arm		
P9304BCH			

NON-HOLD OPEN

MODEL NO.	PRODUCT DESCRIPTION	APPROX. SHIPPING WEIGHT (lbs)	LIST PRICE (689, 690, 691, 693, 694, 696)
9303BC x 9318A	Regular Arm w/ Parallel Bracket and Shoe	6	\$273.00
9304BC x 9318A			

HOLD OPEN

9303BCH x 9328H	Regular Hold Open Arm w/Parallel Bracket and Shoe	6	\$321.00
9304BCH x 9328H			

ACCESSORIES

9318A	Parallel Arm Bracket, Non-Hold Open	\$27.90
9328H	Parallel Arm Bracket, Hold Open	

DROP PLATE

9388	Drop Plate	\$44.00
------	------------	---------

USA & Canada Prices Effective March 16, 2020

ASSA ABLOY

Experience a safer
and more open world

Norton and Rixson are brands associated with ASSA ABLOY Accessories and Door Controls Group, Inc., an ASSA ABLOY Group company. Copyright © 2002-2020, ASSA ABLOY Accessories and Door Controls Group, Inc. All rights reserved. Reproduction in whole or in part without the express written permission of ASSA ABLOY Accessories and Door Controls Group, Inc. is prohibited. Contact Norton: 877-974-2255 or visit www.nortondoорcontrols.com; Contact RIXSON: 800-457-5670 or visit www.rixson.com. In Canada contact us at: 800-461-3007 or visit www.assaabloydss.ca



9500 SERIES - ADJUSTABLE SIZES 1 THRU 6

(4 PER CASE)

NON-HOLD OPEN

MODEL NO.	PRODUCT DESCRIPTION	APPROX. SHIPPING WEIGHT (lbs)	LIST PRICE (689, 690, 691, 693, 694, 696, 613E, BSP, WSP)
9500	Regular, Parallel or Top Jamb to 3" Reveal	14	\$599.00
9500ST	Pull Side Slide Track		\$664.00
PS9500ST	Push Side Slide Track		
PR9500	Parallel Rigid Arm	15	\$623.00
PRO9500	Parallel Rigid Offset Arm		\$627.00
CLP9500	CloserPlus® Arm		\$664.00
R9500	Regular Rigid Arm		\$646.00
^UNI9500	Unitrol® Arm	16	\$856.00

HOLD OPEN

9500H	Regular, Parallel or Top Jamb to 3" Reveal	14	\$647.00
9500STH	Pull Side Slide Track		\$712.00
PS9500STH	Push Side Slide Track		
PR9500H	Parallel Rigid Arm (Handed)	15	\$671.00
PRO9500H	Parallel Rigid Offset Arm (Handed)		\$675.00
CLP9500T	CloserPlus® Arm		\$712.00
^UNI9500H	Unitrol® Arm		16

OPTIONS

DA	Delayed Action suffix "DA" to model number	Add \$46.00
M	Metal Cover suffix "M" to model number	Add \$13.00

^ When ordering specify door width.
 SNB furnished standard with ST, PR, CLP and UNI arms.
 Refer to page 12 for plating charges.

DROP PLATES

MODEL NO.	PRODUCT DESCRIPTION	LIST PRICE (689, 690, 691, 693, 694, 696, 613E, BSP, WSP)
9586	Narrow Top Rail Drop Plate for Regular Arm or Pull Side Track	\$89.00
9587	Narrow Top Rail Drop Plate for Top Jamb Applications	
9588	Narrow Top Rail Drop Plate for Parallel Arm or Push Side Track	

ACCESSORIES

9500-CMB	Closer Mounting Bracket	\$22.00
9500-MAB	Mortise Arm Bracket for Regular Arm Mounting	\$57.00
*9518	Parallel Arm Non-Hold Open Bracket	\$6.00
9528H	Parallel Arm Hold Open Bracket	\$45.00
9500-OB	Parallel Arm Offset Bracket	\$28.00
9500-PFTB	Parallel Arm Flush Transom Bracket	\$45.00
9500-RB	Reinforcing Bracket	\$39.00
9500-DRK	Deep Reveal Reinforcement Kit	\$53.00
9500-FPB	Flush Partition Bracket	\$37.00
9500-AB	Angle Support Bracket	\$45.00
9500-FTB	Flush Transom Bracket	\$27.00
9500-1/2SP	1/2" Blade Stop Spacer	\$26.00
9500-5/8SP	5/8" Blade Stop Spacer	\$46.00

* No charge when ordered with closer.
Refer to page 12 for plating charges.

COVERS

9500P	Plastic Cover - Painted	\$63.00
9500COVM-L	Metal Cover - Painted (Left Hand)	\$79.00
9500COVM-R	Metal Cover - Painted (Right Hand)	
9500COVM-L	Metal Cover - Plated (Left Hand)	\$227.00
9500COVM-R	Metal Cover - Plated (Right Hand)	

USA & Canada Prices Effective March 16, 2020

ASSA ABLOY

Experience a safer
and more open world

Norton and Rixson are brands associated with ASSA ABLOY Accessories and Door Controls Group, Inc., an ASSA ABLOY Group company. Copyright © 2002-2020, ASSA ABLOY Accessories and Door Controls Group, Inc. All rights reserved. Reproduction in whole or in part without the express written permission of ASSA ABLOY Accessories and Door Controls Group, Inc. is prohibited. Contact Norton: 877-974-2255 or visit www.nortondoорcontrols.com; Contact RIXSON: 800-457-5670 or visit www.rixson.com. In Canada contact us at: 800-461-3007 or visit www.assaabloydss.ca



9540 SERIES - ADJUSTABLE SIZES 1 THRU 6

(4 PER CASE)

Non-Hold Open, Tri-Packed, Threaded Arm

MODEL NO.	PRODUCT DESCRIPTION	APPROX. SHIPG. WGT. (lbs)	LIST PRICE (689, 690, 691, 693, 694, 696, 613E, BSP, WSP)
9540	Regular, Parallel or Top Jamb to 2-9/16"	14	\$583.00

OPTIONS

DA	Delayed Action suffix "DA" to Model Number	Add \$46.00
M	Metal Cover suffix "M" to Model Number; Specify Handing	Add \$13.00

DROP PLATES

9540-18	Regular Arm Application	\$84.00
9540-18TJ	Top Jamb Application	
9540-18PA	Parallel Arm Applications	

COVERS

9500P	Plastic Cover - Painted	\$63.00
9540M-1	Metal Cover, Right Hand Application, Painted	\$77.00
9540M-2	Metal Cover, Left Hand Application, Painted	
9540M-1PL	Metal Cover, Right Hand Application, Plated	\$249.00
9540M-2PL	Metal Cover, Left Hand Application, Plated	

ACCESSORIES

9540-CMB	Mounting Bracket	\$190.00
9500LAP	Closer Body Only	\$508.00
SP9540	Standard Screw Pack	\$51.00
SP9540SNB	Sex Nuts and Bolts (SNB) for 1-3/4" Door	\$19.00
SP9500COV	Cover Screw Pack	\$12.00

Refer to page 12 for plating charges.



5600 SERIES

SLIDE TRACK ARMS (PULL SIDE)

MODEL NO.	PRODUCT DESCRIPTION	APPROX. SHIPG. WGT. (lbs)	LIST PRICE (689, 690, BSP, WSP)
5610	Pull Side; Rigid Arm and Slide Track	20	\$1,738.00
5610-RF1	Radio Frequency; Rigid Arm and Slide Track (Power Supply Included)		\$1,864.00

DOUBLE LEVER ARMS (PUSH SIDE)

5630	Push Side; Double Lever Arm	20	\$1,738.00
5630-RF1	Radio Frequency; Double Lever Arm (Power Supply Included)		\$1,864.00

KITS

5610K1	5610 Operator with Onboard Power Supply and (1) 700 Switch	20	\$1,956.00
5610K1-SC	5610 Operator with Onboard Power Supply, (1) 700 Switch and (1) HES 5000C Strike (for Cylindrical Locks)	22	\$2,118.00
5610K1-SM	5610 Operator with Onboard Power Supply, (1) 700 Switch and (1) HES 1006CLB Strike (for Mortise Locks)		\$2,520.00
5630K1	5630 Operator with Onboard Power Supply and (1) 700 Switch	20	\$1,956.00
5630K1-SC	5630 Operator with Onboard Power Supply, (1) 700 Switch and (1) HES 5000C Strike (for Cylindrical Locks)	22	\$2,118.00
5630K1-SM	5630 Operator with Onboard Power Supply, (1) 700 Switch and (1) HES 1006CLB Strike (for Mortise Locks)		\$2,520.00
5610EX	5610RF Operator and (1) 536 Transmitter	20	\$1,991.00
5630EX	5630RF Operator and (1) 536 Transmitter		

OPTIONS

PC	Power Cord (suffix "PC" to model number)	Add \$23.00
----	--	-------------

See page 47 for Accessories.



5700 SERIES

SLIDE TRACK ARMS (PULL SIDE)

MODEL NO.	PRODUCT DESCRIPTION	APPROX. SHIPPING WEIGHT (lbs)	LIST PRICE (689, 690, BSP, WSP)
5710	Pull Side, closer sizes 1-6	20	\$3,194.00
5710-RF1	Pull Side, Radio Frequency, closer sizes 1-6		\$3,320.00
5710DMY	Dummy unit, closer sizes 1-6		\$1,464.00

DOUBLE LEVER ARMS (PUSH SIDE)

5730	Push Side, closer sizes 1-6	20	\$3,194.00
5730-RF1	Push Side, Radio Frequency, closer size 1-6		\$3,320.00
5730DMY	Dummy unit, closer sizes 1-6		\$1,464.00

UNIVERSAL UNIT (INCLUDES PUSH OR PULL SIDE ARMS)

5740	Push or Pull Side, closer sizes 1-6	21	\$3,229.00
5740-RF1	Push or Pull Side, Radio Frequency, closer sizes 1-6		\$3,351.00

KIT

5740K3	Includes 5700 operator (configured for push applications), push & pull arms, power cord, receiver, (2) push buttons and (2) transmitters	40	\$3,728.00
--------	--	----	------------

OPTIONS

PC	Power Cord (suffix "PC" to model number)	Add \$23.00
----	--	-------------

See page 47 for Accessories.



5800 SERIES ADAEZ

(1 per case)

PRO

MODEL NO.	PRODUCT DESCRIPTION	APPROX. SHIP WT (lbs)	LIST PRICE (693T, 689)
5831xNPB	Operator + Narrow Style Push Buttons, Push Side	20	\$3,447.00
5811xNPB	Operator + Narrow Style Push Buttons, Pull Side		
5831xSQPB	Operator + Square Style Push Buttons, Push Side		\$3,497.00
5811xSQPB	Operator + Square Style Push Buttons, Pull Side		

PRO PLUS

5833xNPB	Operator + Narrow Style Push Buttons + ADA1015P Hardwire Kit, Push Side	20	\$3,547.00
5813xNPB	Operator + Narrow Style Push Buttons + ADA1015P Hardwire Kit, Pull Side		
5833xSQPB	Operator + Square Style Push Buttons + ADA1015P Hardwire Kit, Push Side		\$3,597.00
5813xSQPB	Operator + Square Style Push Buttons + ADA1015P Hardwire Kit, Pull Side		

PRO COMPLETE

5845xNPB	Operator + Narrow Style Push Buttons + ADA1015P Hardwire Kit, Push or Pull Side Mounting Hardware, Black & Aluminum Finish Covers	20	\$3,631.00
5845xSQPB	Operator + Square Style Push Buttons + ADA1015P Hardwire Kit, Push or Pull Side Mounting Hardware, Black & Aluminum Finish Covers		\$3,681.00
5845xWTO	Operator + Wave-to-Open Touch-less Wall Switch + ADA1015P Hardwire Kit, Push or Pull Side Mounting Hardware, Black & Aluminum Finish Covers		\$3,785.00

PRO CUSTOM (WITHOUT PUSH BUTTONS)

5831xLPB	Operator, Push Side	20	\$3,197.00
5811xLPB	Operator, Pull Side		

NYC TRD (NEW YORK CITY - TRASH ROOM DOORS)

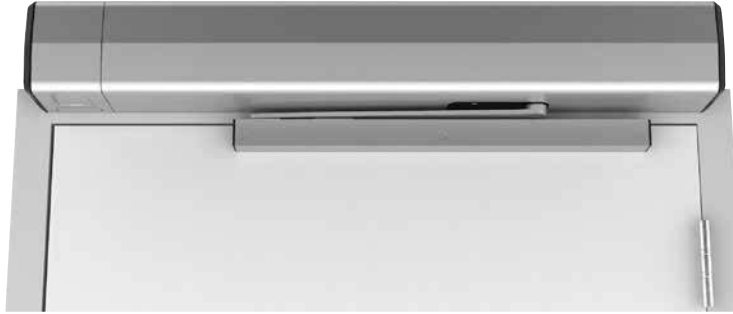
5839-NYW	Operator + Narrow Style Push Buttons, Push Side	25	\$6,106.00
5819-NYW	Operator + Narrow Style Push Buttons, Pull Side		

See page 48 for Accessories.

USA & Canada Prices Effective March 16, 2020

ASSA ABLOY

Norton and Rixson are brands associated with ASSA ABLOY Accessories and Door Controls Group, Inc., an ASSA ABLOY Group company. Copyright © 2002-2020, ASSA ABLOY Accessories and Door Controls Group, Inc. All rights reserved. Reproduction in whole or in part without the express written permission of ASSA ABLOY Accessories and Door Controls Group, Inc. is prohibited. Contact Norton: 877-974-2255 or visit www.nortondoорcontrols.com; Contact RIXSON: 800-457-5670 or visit www.rixson.com. In Canada contact us at: 800-461-3007 or visit www.assaabloydss.ca



6011 Shown

6000 SERIES – SINGLE DOORS

(1 per case)

PULL SIDE MOUNTING

MODEL NO.	PRODUCT DESCRIPTION	COVER LENGTH	APPROX. SHIPPING WGT. (lbs)	LIST PRICE (689, 690, BSP, WSP)
6011	Slide Track Arm	37-1/2"	39	\$5,925.00
6051R	Double Egress Arm, RH, Standard Duty to 110°			\$5,996.00
6051L	Double Egress Arm, LH, Standard Duty to 110°			

PUSH SIDE MOUNTING

6021	Double Lever Arm, Standard Duty to 110°	37-1/2"	39	\$5,687.00
6031	Double Lever Arm, Standard Duty to 180°			
6061	Double Lever Arm, H.D 2-1/4" to 4-3/4" Reveals			\$5,925.00
6071	Double Lever Arm, H.D 4-13/16" to 7-3/8" Reveals			

OPTIONS

RF	Radio Frequency	Add \$126.00
D1	Drop Plate; suffix D1 (36" width) or D2 (37" or wider) to model numbers 6021, 6031, 6061, or 6071	Add \$140.00
D2		

See page 47 for Accessories.

DUMMY UNITS

6011DMY	Includes (1) door closer mounted to the operator back plate; standard operator cover shipped	37-1/2"	33	\$1,843.00
6021DMY				\$1,639.00
6031DMY				
6050L-DMY				\$1,912.00
6051L-DMY				
6061DMY				\$1,843.00



6000 SERIES – DOUBLE DOORS

(1 per case)

PULL SIDE MOUNTING - SPECIFY 36, 42" OR 48" WHEN ORDERING

MODEL NO.	PRODUCT DESCRIPTION	APPROX. SHIPPING WEIGHT (lbs)	LIST PRICE (689, 690, BSP, WSP)
D6011-36	Slide Track Arm	76	\$8,243.00
D6051-36	Double Egress Arm, Standard Duty to 110°		\$8,558.00

PUSH SIDE MOUNTING - SPECIFY 36, 42" OR 48" WHEN ORDERING

D6021-36	Double Lever Arm, Standard Duty to 110°	76	\$8,192.00
D6031-36	Double Lever Arm, Standard Duty to 180°		
D6061-36	Double Lever Arm, H.D 2-1/4" to 4-3/4" Reveals		\$8,243.00
D6071-36	Double Lever Arm, H.D 4-13/16" to 7-3/8" Reveals		

OPTIONS

RF	Radio Frequency	Add \$126.00
D	Drop Plate suffix "D" to model number; D6021, D6031, D6061, D6071 series only	Add \$140.00
Wider Doors	42" Door Width (examples: D6011-42, D6061-42, etc.)	Add \$53.00
	48" Door Width (examples: D6051-48, D6071-48, etc.)	Add \$105.00

See page 47 for Accessories.

DUMMY UNITS

D6011-36DMY	Includes: (1) operator plus (1) door closer mounted to the operator back plate; standard operator cover shipped	67	\$4,725.00
D6021-36DMY			\$4,675.00
D6031-36DMY			\$4,988.00
D6051-36DMY			
D6061-36DMY			\$4,725.00
D6071-36DMY			

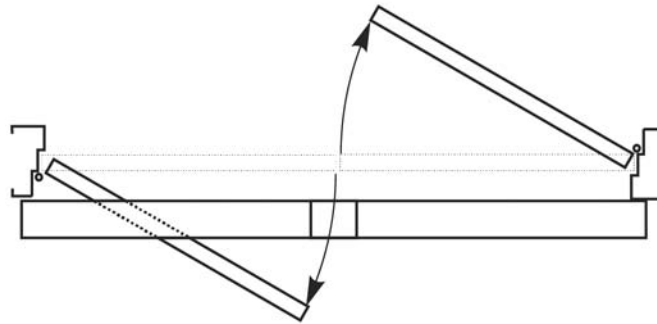
OPTIONS

Wider Doors	42" Door Width (example: D6011-42DMY)	Add \$53.00
	48" Door Width (example: D6071-48DMY)	Add \$105.00

USA & Canada Prices Effective March 16, 2020

ASSA ABLOY

Norton and Rixson are brands associated with ASSA ABLOY Accessories and Door Controls Group, Inc., an ASSA ABLOY Group company. Copyright © 2002-2020, ASSA ABLOY Accessories and Door Controls Group, Inc. All rights reserved. Reproduction in whole or in part without the express written permission of ASSA ABLOY Accessories and Door Controls Group, Inc. is prohibited. Contact Norton: 877-974-2255 or visit www.nortondoortcontrols.com; Contact RIXSON: 800-457-5670 or visit www.rixson.com. In Canada contact us at: 800-461-3007 or visit www.assaabloydss.ca



6000 SERIES - DOUBLE EGRESS APPLICATIONS

(1 per case)

SPECIFY 36", 42" OR 48" WHEN ORDERING

MODEL NO.	PRODUCT DESCRIPTION	APPROX. SHIPPING WEIGHT (lbs)	LIST PRICE (689, 690, BSP, WSP)
D6001DEL-36	Pair of Left Hand Doors, 36", Pull Side	78	\$8,192.00
D6001DER-36	Pair of Right Hand Doors, 36", Pull Side		

OPTIONS

RF	Radio Frequency	Add \$126.00
Wider Doors	42" Door Width (example D6001DEL-42)	Add \$53.00
	48" Door Width (example D6001DEL-48)	Add \$105.00

See page 47 for Accessories.



6300 SERIES

PULL SIDE

MODEL NO.	PRODUCT DESCRIPTION	OVERALL LENGTH	APPROX. SHIPPING WEIGHT (lbs)	LIST PRICE (689, 690, BSP, WSP)	
6311	Rigid Arm & Slide Track	37-3/8"	28	\$4,015.00	
6312		39-5/8"			
6351R	Double Egress Arm, Right Hand	37-3/8"		28	\$4,077.00
6351L	Double Egress Arm, Left Hand				
6352R	Double Egress Arm, Right Hand	39-5/8"			
6352L	Double Egress Arm, Left Hand				

PUSH SIDE

6331	Double Lever Arm	37-3/8"	28	\$4,015.00
6332		39-5/8"		

UNIVERSAL (PUSH AND PULL)

6341	Rigid Arm & Slide Track and Double Lever Arms Included	37-3/8"	28	\$4,117.00
6342		39-5/8"		

Note: Models 6312, 6332, 6342 and 6352 cannot be used on pairs of 36" doors.
See page 47 for Accessories.

ACCESSORIES

MODEL NO.	PRODUCT DESCRIPTION	LIST PRICE
501	Door Switch - 4-1/2" sq., Stainless/black letters	\$181.00
502	Door Switch - 4-1/2" sq., Blue/white letters, ADA symbol	
505	Door Switch - 6" sq., Stainless/blue letters, ADA symbol, Hard Wired	\$174.00
531	Door Switch - 6" sq., Stainless/blue letters, ADA symbol, RF	\$287.00
507	Door Switch - 6" sq., Stainless/blue letters, Hard Wired	\$174.00
532	Door Switch - 6" sq., Stainless/blue letters, RF	\$287.00
506	Door Switch - 6" round, Stainless/blue letters, ADA symbol, Hard Wired	\$174.00
533	Door Switch - 6" round, Stainless/blue letters, ADA symbol, RF	\$287.00
534	Door Switch - 6" round, Stainless/blue letters, Hard Wired	\$181.00
535	Door Switch - 6" round, Stainless/blue letters, RF	\$287.00
503	Door Switch - 1-1/2"x 4-3/4", Stainless/blue letters	\$140.00
504	Vestibule Switches - 1-1/2"x 4-3/4", Stainless/blue letters	\$300.00
542	4-1/2" square surface mount box only for 501, 502	\$57.90
555	6" square surface mount box only for 505, 507	\$71.50
557	6" round surface mount box only for 506, 534	
559	Narrow Jamb Surface Mount Box for 503	\$45.00
700	Touch Less Wall Switch - width: 2-3/4" (single), 4-1/2" (double)	\$465.00
536	Single Channel Hand Held Transmitter	\$125.00
538	Double Channel Hand Held Transmitter	\$158.00
539	Radio Frequency Receiver	\$147.00
663	Motion Sensor	\$639.00
530	Switch Post, RF Transmitter 433MHz (5700, 6000, 6300 Series)	\$942.00
530Post	Post Only (5700, 6000, 6300 Series)	\$706.00
500	Switch Post, Hard Wired (5700, 6000, 6300 Series)	\$832.00
638	Low Profile Push Plate - 36" x 6", RF (433MHz)	\$1,159.00
639	Low Profile Push Plate - 36" x 6", Hard Wired	\$1,035.00
548	Radio Frequency Transmitter - 9V	\$135.00
5900EXPKG	Executive Package (6300 Series)	\$247.00
679	Operational Signs	\$45.00
585	Presence Sensor (6000, 6300 Series)	\$591.00
ADA1019-1	4-1/2" Square Push Button w/o RF Transmitter (5700 Series)	\$221.00
565	Package Includes (2) Door Switches, (2) Transmitters and (1) Receiver (6000, 6300 Series)	\$775.00
596-36	Sensor for 36" Door (6000, 6300 Series)	\$656.00
596-42	Sensor for 42" Door (6000, 6300 Series)	\$706.00
596-48	Sensor for 48" Door (6000, 6300 Series)	\$862.00
682	Signage Kit	\$7.00
681		

ACCESSORIES

MODEL NO.	PRODUCT DESCRIPTION	LIST PRICE
ADA1001	Door Arm Assembly	\$221.00
ADA1006	Operator Mounting Bracket With Covers	\$105.00
ADA1009	Mounting Hardware for Aluminum, Wood, and Hollow Metal	\$107.00
ADA1002	Operator Dress Cover Black Finish	\$147.00
ADA1004	Operator Dress Cover Aluminum Finish	
ADA1005P	Electronic Control Kit - Setup and PC Board - PRO Series	\$582.00
ADA1005WP	Electronic Control Kit for PRO Setup and PC Board (White Board)	
ADA1005NY	Electronic Control Kit - Setup and PC Board - NYC-TRD Series	
ADA1005WN	Electronic Control Kit for NYC-TRD Setup and PC Board (White Board)	
ADA1010P	Operator Body - Non Handed - EL-CNTL Included - Pro Series (direct replacement of former part # 1010L and 1010R)	\$3,282.00
ADA1010NY	Operator Body - Non Handed - EL-CNTL Included - NYC-TRD Series	
ADA1007P	Battery Assembly - PRO Series (replaces part 1007)	\$225.00
ADA1023	External Battery Charger Kit	\$299.00
ADA1015P	Hardwire Kit - Transformer, Armored Door Cord, 50' of Cable	
ADA1014	Decal Pack	\$75.00
ADA1026	Bottom Cover with Two Screws	\$71.00
ADA1008	Wireless Pushbutton Transmitter (circuit board only)	\$111.00
ADA1022	Kit to Convert SPDT Switch to DPDT Switch	\$87.00
ADA1025	Multi-Purpose Timer Module	\$180.00
ADA1012-1	1-3/4" (4.5 cm) Pushbutton Assembly - w/o RF Transmitter	\$147.00
ADA1012-2	1-3/4" Pushbutton Assembly - with RF Transmitter	\$221.00
ADA1019-1	4-1/2" (11.4 cm) Square Pushbutton w/o RF Transmitter	
ADA1019-2	4-1/2" Square Pushbutton Assembly w/ RF Transmitter	\$295.00
ADA1019-2A	Qty 2 @ 4-1/2" Square Pushbutton w/ RF Transmitter	\$512.00
ADA1019-3	4-1/2" Square Pushbutton Assembly w/ DPDT Switch, w/o RF Transmitter	\$278.00
ADA1019-4	4-1/2" Square Pushbutton Assembly, DPDT Switch, w/ RF Transmitter	\$343.00
ADA1028W	Wireless Interface Module	\$436.00
ADA1031	Hand Held RF Transmitter	\$225.00
ADA1024	Kit to Convert to a Push Side	\$215.00
ADA1021	Kit to Convert to a Pull Side	\$192.00
ADA1029	Occupancy Sensor (NYC-TRD only)	\$622.00
ADA9090NY	Factory Wired SDC 602 RF - 1 Amp Power Supply with Interface Module and Cover Mounted Occupancy Sensor (NYC-TRD only)	\$2,136.00



7100SZ SERIES

Specify Hand

MODEL NO.	PRODUCT DESCRIPTION	APPROX. SHIPPING WEIGHT (lbs)	LIST PRICE (689, 690, 691, 693, 694, 696, BSP, WSP)
7110SZ	Pull Side; Rigid Arm and Slide Track (specify spring size 3, 4 or 5)	16	\$1,549.00
7120SZ	Push Side; Double Lever Arm - 11" Main Arm (specify spring size 2, 3, 4 or 5)		
7130SZ	Push Side; Double Lever Arm - 13-1/2" Main Arm (specify spring size 2, 3, 4 or 5)		
7150SZ	Pull Side; Double Egress Arm and Slide Track (specify spring size 3, 4 or 5)		\$1,636.00

OPTIONS

DZ	Unit Supplied with Secondary Sensor (for opposite side of door)	Add \$619.00
----	---	--------------

DROP ANGLE BRACKET

7100DAB	Drop Angle Bracket	\$69.00
7100DAB-180	Drop Angle Bracket, 180°	



7200 SERIES

RIGID ARM SLIDE TRACK - Specify Size 3 thru 5 - Specify Hand

MODEL NO.	PRODUCT DESCRIPTION	APPROX. SHIPPING WEIGHT (lbs)	LIST PRICE (689, 690, 691, 693, 694, 696, BSP, WSP)
7210MPDO	Master Unit - Selective	18	\$3,262.00
7210MPSO	Slave/Support Unit - Selective	16	\$1,642.00
7210RFS	Executive™ Dr. Holder/Release - Selective		\$2,330.00

DOUBLE LEVER ARM - 11" MAIN ARM - Specify Size 3 thru 5 - Specify Hand

7220MPDO	Master Unit - Selective	18	\$3,262.00
7220MPSO	Slave/Support Unit - Selective	16	\$1,642.00
7220RFS	Executive™ Dr. Holder/Release - Selective		\$2,330.00

DOUBLE LEVER ARM - 13-1/2" MAIN ARM - Specify Size 3 thru 5 - Specify Hand

7230MPDO	Master Unit - Selective	18	\$3,262.00
7230MPSO	Slave/Support Unit - Selective	16	\$1,642.00
7230RFS	Executive™ Dr. Holder/Release - Selective		\$2,330.00

CONNECTED FREE-SWING SLIDE TRACK - Specify Size 3 thru 5 - Specify Hand

7240MPDO	Master Unit - Selective	18	\$3,316.00
7240MPSO	Slave/Support Unit - Selective	16	\$1,696.00
7240RFS	Executive™ Dr. Holder/Release - Selective		\$2,384.00

DOUBLE EGRESS ARM SLIDE TRACK - Specify Size 3 thru 5

MODEL NO.	PRODUCT DESCRIPTION	APPROX. SHIPPING WEIGHT (lbs)	LIST PRICE (689, 690, 691, 693, 694, 696, BSP, WSP)
7250MPDO	Master Unit - Selective	18	\$3,346.00
7250MPSO	Slave/Support Unit - Selective	16	\$1,726.00
7250RFS	Executive™ Dr. Holder/Release - Selective		\$2,414.00

OVERHEAD CONCEALED - Specify Size 4 thru 6

7290MPS	Support Unit - Selective	16	\$1,564.00
7290RFS	Executive™ Dr. Holder/Release - Selective		\$2,219.00

DROP ANGLE BRACKETS

7100DAB	Drop Angle Bracket	\$69.00
7100DAB-180	Drop Angle Bracket, 180°	



POWER TRACK® CLOSER-HOLDERS

MODEL NO.	PRODUCT DESCRIPTION	APPROX. SHIPPING WEIGHT (lbs)	LIST PRICE (689, 690, 691, 693, 694, 696, BSP, WSP)
7705PTDO	Master Unit, Hinge Side	12	\$2,606.00
P7705PTDO	Master Unit, Stop Side		
7705PTO	Support Unit, Hinge Side	11	\$1,161.00
P7705PTO	Support Unit, Stop Side		

OPTION

DE	Double Egress Arms suffix "DE" to model number (hinge side only). Handed.	Add \$84.00
----	---	-------------

DOOR CLOSER BODIES ONLY

MODEL NO.	PRODUCT DESCRIPTION	LIST PRICE
1601LAP	1601 Door Closer Body	\$194.00
160XBCLAP	1603BC, 1604BC Door Closer Bodies	
1601SSLAP	1601SS Door Closer Body	\$404.00
170XLAP	1703/1704 Door Closer Bodies	\$195.00
7500LAP	7500 Door Closer Body	\$427.00
7500SSLAP	7500SS Corrosion Resistant Door Closer Body	\$851.00
78B/DLAP*	78 Door Closer Body - Size 2/4	\$945.00
78E/FLAP*	78 Door Closer Body - Size 5/6	
8101LAP	8101, 8301, 8501 Door Closer Bodies	\$301.00
930XBCLAP	9303BC, 9304BC Door Closer Bodies	\$158.00
9500LAP	9500 Door Closer Body	\$508.00
790XLAP	7900 Door Closer Bodies	\$487.00
797XLAP	7970 Security Door Closer Bodies	\$635.00
797XDPSLAP	7970DPS Security Door Closer Bodies	\$902.00

OPTION

DA	Delayed Action suffix "DA" to model number	Add \$46.00
----	--	-------------

"X" in catalog number - specify closer size.

*Specify Hand.

SN, SNB, TBGN - 4 per pack

MODEL NO.	PRODUCT DESCRIPTION	LIST PRICE
SN-134	Sex Nuts Only 1-3/4" Door	\$6.50*
SN-214	Sex Nuts Only 2-1/4" Door	\$72.00*
SNB134-38	Sex Nuts and Bolts 1-3/4" Door - 1600, 8000 Series Closer	\$19.80*
SNB200-38	Sex Nuts and Bolts 2" Door - 1600, 8000 Series Closer	
SNB214-38	Sex Nuts and Bolts 2-1/4" Door - 1600, 8000 Series Closer	\$100.00*
SNB134-47	Sex Nuts and Bolts 1-3/4" Door - 7500 Series Closer	\$19.80*
SNB200-47	Sex Nuts and Bolts 2" Door - 7500 Series Closer	
SNB214-47	Sex Nuts and Bolts 2-1/4" Door - 7500 Series Closer	\$100.00*
SN-134SS	Stainless Steel Sex Nuts Only for 1-3/4" Door	\$95.00
SNB134SS-38	Stainless Steel Sex Nuts and Bolts for 1-3/4" Door - 1600BCSS or 1601SS Series	\$100.00
SNB134SS-47	Stainless Steel Sex Nuts and Bolts for 1-3/4" Door - 7500SS Series	
SP9500	Standard Screw Package - 9500 Series Closer	\$13.70
SP9500SN	Standard Screw Package (includes Sex Nuts) - 9500 Series Closer	
SP9500SNB	Sex Nuts and Bolts 1-3/4" door - 9500 Series Closer	\$18.30*
TBGN138-38	Through-Bolts and Grommet Nuts 1-3/8" Door - 1600, 8000 Series	\$14.50
TBGN134-38	Through-Bolts and Grommet Nuts 1-3/4" Door - 1600, 8000 Series	
TBGN214-38	Through-Bolts and Grommet Nuts 2-1/4" Door - 1600, 8000 Series	
TBGN138-47	Through-Bolts and Grommet Nuts 1-3/8" Door - 7500 Series	
TBGN134-47	Through-Bolts and Grommet Nuts 1-3/4" Door - 410, 7500 Series	

Note: Sex Nuts furnished standard with PR, CLP, CPS and UNI arms.

*For PLATED STEEL SEX NUTS or SEX NUTS and BOLTS add \$31.00 to list price.

TORX®

MODEL NO.	PRODUCT DESCRIPTION	LIST PRICE
TX38	Torx® Screw Pack - 8000 Series	\$53.00
PRTX38	Torx® Screw Pack - 8000 Series, Parallel Rigid, CloserPlus® or CloserPlus Spring™ Arms	
RTX38	Torx® Screw Pack - 8000 Series, Regular Rigid Heavy-Duty Arm	
UNITX38	Torx® Screw Pack - 8000 Series, Unitrol® Arm	
STTX38	Torx® Screw Pack - 8000 Slide Track, Push or Pull	
TX47	Torx® Screw Pack - 7500 Series	
PRTX47	Torx® Screw Pack - 7500 Series, Parallel Rigid, CloserPlus® or CloserPlus Spring™ Arms	
RTX47	Torx® Screw Pack - 7500 Series, Regular Rigid Heavy-Duty Arm	
UNITX47	Torx® Screw Pack - 7500 Series, Unitrol® Arm	
STTX47	Torx® Screw Pack - 7500 Slide Track, Push or Pull	
TX95	Torx® Screw Pack - 9500 Series	\$43.00
PRTX95	Torx® Screw Pack - 9500 Series, Parallel Rigid, CloserPlus® Arms	
RTX95	Torx® Screw Pack - 9500 Series, Regular Rigid Heavy-Duty Arm	
UNITX95	Torx® Screw Pack - 9500 Series, Unitrol® Arm	
TXTK95	Torx® Screw Pack - 9500 Series, Tracks	\$27.00
TX6700M	Torx® Screw Pack - 6000 Operator Cover	

Note: Torx Tool Kit see page 12.

1600BC, 1601, 7500, 8000, 9300BC

MODEL NO.	PRODUCT DESCRIPTION	LIST PRICE
7701-1	Regular Arm Assembly, Non-Hold Open	\$105.00
7701-1M	Main Arm Assembly	\$57.00
7701-111	Secondary Arm Assembly	\$60.00
7701-1W	Arm Assembly Less Rod and Shoe	\$93.00
7701-11	Rod and Shoe Assembly	\$40.00
7701-1A	J Top Jamb Arm Assembly, Non-Hold Open	\$105.00
7701-1M	Main Arm Assembly	\$57.00
7701-121	Secondary Arm Assembly	\$60.00
7701-1W	Arm Assembly Less Rod and Shoe	\$93.00
7701-11A	Rod and Shoe Assembly	\$40.00
7701-1B	JL Top Jamb Arm Assembly, Non-Hold Open	\$105.00
7701-2M	Main Arm Assembly	\$57.00
7701-131	Secondary Arm Assembly	\$60.00
7701-2W	Arm Assembly Less Rod and Shoe	\$93.00
7701-11B	Rod and Shoe Assembly	\$40.00
*7701-5	Parallel Arm Assembly w/ 1618 Soffit Plate, Non-Hold Open	\$105.00
7701-1M	Main Arm Assembly	\$57.00
*7701-115	Secondary Arm Assembly	\$60.00
7701-1W	Arm Assembly Less Rod and Soffit Plate	\$93.00
*7701-15	Rod and 1618 Soffit Plate Assembly	\$40.00
**7701-5A	Parallel Arm Assembly w/ 1618 Soffit Plate, Non-Hold Open	\$105.00
7701-1M	Main Arm Assembly	\$57.00
**7701-115A	Secondary Arm Assembly	\$60.00
7701-1W	Arm Assembly Less Rod and Soffit Plate	\$93.00
**7701-15A	Rod and 1618 Soffit Plate Assembly	\$40.00

*7500 Series Only.

**180° door swing using special template for doors hung on 6" to 8" wide throw hinges.

1600BC, 1601, 7500, 8000, 9300BC

MODEL NO.	PRODUCT DESCRIPTION	LIST PRICE
*7701-6	Parallel Arm Assembly w/ 1618A Soffit Plate, Non-Hold Open	\$105.00
7701-1M	Main Arm Assembly	\$57.00
*7701-116	Secondary Arm Assembly	\$60.00
7701-1W	Arm Assembly Less Rod and Soffit Plate	\$93.00
*7701-16	Rod and 1618A Soffit Plate Assembly	\$40.00
*7701-6A	Parallel Arm Assembly w/ 1618A Soffit Plate, Non-Hold Open	\$105.00
7701-1M	Main Arm Assembly	\$57.00
**7701-116A	Secondary Arm Assembly	\$60.00
7701-1W	Arm Assembly Less Rod and Shoe	\$93.00
**7701-16A	Rod and Shoe Assembly	\$40.00
7701-3	Regular Arm Assembly, Hold Open	\$153.00
7701-1M	Main Arm Assembly	\$57.00
7701-113	Secondary Arm Assembly	\$96.00
7701-3W	Main Arm and Rod Less Holder Shoe Assembly	\$93.00
7701-13	Holder Shoe and Loop Assembly	\$60.00
7701-31	Adjusting Arm Assembly	\$19.60
7701-3A	J Top Jamb Arm Assembly, Hold Open	\$153.00
7701-1M	Main Arm Assembly	\$57.00
7701-123	Secondary Arm Assembly	\$96.00
7701-3WA	Main Arm and Rod Assembly	\$93.00
7701-13	Holder Shoe Assembly	\$60.00
7701-31A	Adjusting Arm Assembly	\$19.60
7701-3B	JL Top Jamb Arm Assembly, Hold Open	\$153.00
7701-2M	Main Arm Assembly	\$57.00
7701-133	Secondary Arm Assembly	\$96.00
7701-3WB	Main Arm and Rod Less Holder Shoe Assembly	\$93.00
7701-13	Holder Shoe Assembly	\$60.00
7701-31B	Adjusting Arm Assembly	\$19.60
7701-8	Parallel Arm Assembly, Hold Open	\$153.00
7701-1M	Main Arm Assembly	\$57.00
7701-118	Secondary Arm Assembly w/ 1628H Soffit	\$96.00
7701-3W	Main Arm and Rod Assembly	\$93.00
7701-13	Holder Shoe and Loop Assembly w/ 1628H Soffit Plate	\$60.00
7701-31	Adjusting Rod Assembly	\$19.60

*1600BC, 1601, 8000, 9300BC Series Only.

**180° door swing using special template for doors hung on 6" or 8" wide throw hinges.

ASSA ABLOY

Experience a safer
and more open world

USA & Canada Prices Effective March 16, 2020

Norton and Rixson are brands associated with ASSA ABLOY Accessories and Door Controls Group, Inc., an ASSA ABLOY Group company. Copyright © 2002-2020, ASSA ABLOY Accessories and Door Controls Group, Inc. All rights reserved. Reproduction in whole or in part without the express written permission of ASSA ABLOY Accessories and Door Controls Group, Inc. is prohibited. Contact Norton: 877-974-2255 or visit www.nortondoortcontrols.com; Contact RIXSON: 800-457-5670 or visit www.rixson.com. In Canada contact us at: 800-461-3007 or visit www.assaabloydss.ca

1600BC, 1601, 7500, 8000, 9300BC

MODEL NO.	PRODUCT DESCRIPTION	LIST PRICE
7701-25	Tri-Style® Package w/ 1618 soffit (7500 series)	\$105.00
7701-26	Tri-Style® Package w/ 1618A soffit (all other series)	
7701-AS	Arm Shoe Assembly	\$22.80
7701-ES	Elbow Screw and Washer Assembly	\$9.20
7701-HSS	Set Screw Hold Open Arm	\$8.70
7701-HS	Hex Screw for adjusting arm and washer	\$1.20
7701-MAS	Main Arm Screw	\$8.70
138x142	Arm Shoe Sleeve Nut and Screw	\$5.70

9500

MODEL NO.	PRODUCT DESCRIPTION	LIST PRICE
9501-1	Regular Arm Assembly, Non-Hold Open	\$105.00
9501-1W	Main arm & tube assembly	\$50.00
9501-11	Rod & shoe assembly	\$19.60
9500-HS	Hex screw package	\$7.50
9501-1B	Top Jamb Deep Reveal Arm Assembly, Non-Hold Open	\$69.50
9501-2W	Main arm & arm tube assy	\$50.00
9501-11B	Rod & shoe assembly	\$16.80
9501-5	Parallel Arm Assembly w 9518 Bracket, Non-Hold Open	\$86.00
9501-3	Regular Arm Assembly, Hold Open	\$155.00
9501-1W	Main arm & rod assembly	\$50.00
9501-13	Hold open bracket assembly	\$71.00
9501-3B	Top Jamb Deep Reveal Arm Assembly, Hold Open	\$111.00
9501-3WB	Main arm & rod assy	\$50.00
9501-3W	Main arm & rod assy	
9501-8	Parallel Arm Assembly w 9528H Bracket, Hold Open	\$161.00

9540

MODEL NO.	PRODUCT DESCRIPTION	LIST PRICE
9541-1	Regular and Top Jamb Arm (reveals up to 2-9/16")	\$105.00
9541-5	Parallel Arm	\$86.00
9541-1A	Top Jamb Arm (Deep Reveals 2-9/16" to 4-13/16")	\$69.00
9541-1B	Top Jamb (Deep Reveals 4-13/16" to 8")	
9548	Parallel Arm Non-Hold Open Bracket	\$80.00
95ASW	Main Arm Screw & Washer	\$7.00

USA & Canada Prices Effective March 16, 2020

ASSA ABLOY

Norton and Rixson are brands associated with ASSA ABLOY Accessories and Door Controls Group, Inc., an ASSA ABLOY Group company. Copyright © 2002-2020, ASSA ABLOY Accessories and Door Controls Group, Inc. All rights reserved. Reproduction in whole or in part without the express written permission of ASSA ABLOY Accessories and Door Controls Group, Inc. is prohibited. Contact Norton: 877-974-2255 or visit www.nortondoortcontrols.com; Contact RIXSON: 800-457-5670 or visit www.rixson.com. In Canada contact us at: 800-461-3007 or visit www.assaabloydss.ca

LOW PROFILE ARMS - 1680BC, 1681, 7581, 8081

MODEL NO.	PRODUCT DESCRIPTION	LIST PRICE
7780-1	Regular Arm, Low Profile Assembly, Non-Hold Open	\$105.00
7780-1MR	Main Arm and Adjusting Rod Assembly	\$93.00
7780-1TS	Tube and Shoe Assembly	\$40.00
7780-5	Parallel Arm, Low Profile Assembly w/ 1618 Soffit, Non-Hold Open	\$105.00
7780-1MR	Main Arm and Adjusting Rod Assembly	\$93.00
7780-5TS	Tube and Soffit 1618 Assembly	\$40.00
7780-6	Parallel Arm, Low Profile Assembly w/ 1618A Soffit, Non-Hold Open	\$105.00
7780-1MR	Main Arm and Adjusting Rod Assembly	\$93.00
7780-6TS	Tube and Shoe/Soffit Rod Assembly (1618A)	\$40.00
7780-25	Low Profile, Non-Hold Open Tri-Style® Assembly (7581)	\$105.00
7780-26	Low Profile, Non-Hold Open Tri-Style® Assembly (1680BC, 1681, 8081)	
7701-AS	Arm Shoe Assembly	\$22.80
7701-HSS	Hold Open Set Screw	\$8.70
7701-HS	Hex Screw	\$1.20
7701-ES	Screw and Washer Assembly	\$9.20

MISCELLANEOUS PARTS - 1600BC, 1601, 7500, 8000, 9300BC

MODEL NO.	PRODUCT DESCRIPTION	LIST PRICE
1543R	Jackscrew - Right Hand	\$13.80
1543L	Jackscrew - Left Hand	
455	Locknut (holder loop to bracket)	\$12.80
1554	Friction Disc (holder loop)	\$7.80
7701-HW	Hold Open Wrench	\$7.50

CLOSERPLUS®, CLOSERPLUS RAMP™, CLOSERPLUS SPRING™ ARMS - 1600BC, 1601, 7500, 8000, 9500

MODEL NO.	PRODUCT DESCRIPTION	LIST PRICE
6770-5	CloserPlus® Arm Assembly, Non-Hold Open (1600BC, 1601, 7500, 8000)	\$183.00
6750R-8	CloserPlus Ramp™ Arm assembly, Hold Open (7500, 8000)	\$251.00
6870T-8	CloserPlus® Arm Assembly, Hold Open (1600BC, 1601, 7500, 8000)	
6770P	Hole Plug (CLP or CPS Arms)	\$12.50
6770S	Removable Stop	
CPS6770-5	CloserPlus® Spring™ Arm Assembly, Non-Hold Open (1600BC, 1601, 7500, 8000)	\$356.00
CPS6870T-8	CloserPlus® Spring™ Arm Assembly, Hold Open (1600BC, 1601, 7500, 8000)	\$426.00
CPSK6770	CloserPlus® Spring™ Kit (1600BC, 1601, 7500, 8000)	\$151.00
9770-5	CloserPlus® Arm, Non-Hold Open (9500 Only)	\$126.00
9870T-8	CloserPlus® Arm, Hold Open (9500 Only)	\$184.00

CUSHION STOP ARM 1600BC, 1601BC

MODEL NO.	PRODUCT DESCRIPTION	LIST PRICE
7701-CA	Cushion Stop Arm Complete Assembly	\$176.00
CAK7701	Cushion Stop Arm Kit	\$43.40
6620-12	Cushion Stop Arm Adjustment Tube & Shoe	\$159.00
7701-HS	Cushion Stop Arm Hex Screw	\$1.20

ASSA ABLOY

Experience a safer
and more open world

USA & Canada Prices Effective March 16, 2020

Norton and Rixson are brands associated with ASSA ABLOY Accessories and Door Controls Group, Inc., an ASSA ABLOY Group company. Copyright © 2002-2020, ASSA ABLOY Accessories and Door Controls Group, Inc. All rights reserved. Reproduction in whole or in part without the express written permission of ASSA ABLOY Accessories and Door Controls Group, Inc. is prohibited. Contact Norton: 877-974-2255 or visit www.nortondoortcontrols.com; Contact RIXSON: 800-457-5670 or visit www.rixson.com. In Canada contact us at: 800-461-3007 or visit www.assaabloydss.ca

RIGID ARMS - 1600BC, 1601, 7500, 8000, 9500

MODEL NO.	PRODUCT DESCRIPTION	LIST PRICE
R7701-1	Regular Rigid Arm (7500, 8000 Only)	\$160.00
PR7701-5	Parallel Rigid Arm, Non-Hold Open (1600BC, 1601, 7500, 8000)	\$137.00
PR7701-8R	Parallel Rigid Arm, Hold Open, Right Hand (1600BC, 1601, 7500, 8000)	\$186.00
PR7701-8L	Parallel Rigid Arm, Hold Open, Left Hand (1600BC, 1601, 7500, 8000)	
PRO7701-5	Parallel Rigid Arm w/ Offset Soffit Plate, Non-Hold Open (7500, 8000 Only)	\$164.00
PRO7701-8R	Parallel Rigid Arm w/ Offset Soffit Plate, Hold Open, Right Hand (7500, 8000 Only)	\$190.00
PRO7701-8L	Parallel Rigid Arm w/ Offset Soffit Plate, Hold Open, Left Hand (7500, 8000 Only)	
R9501-1	Regular Rigid Arm (9500 Only)	\$160.00
PR9501-5	Parallel Rigid Arm, Non-Hold Open (9500 Only)	
PR9501-8R	Parallel Rigid Arm, Friction Hold Open, Right Hand (9500 Only)	\$158.00
PR9501-8L	Parallel Rigid Arm, Friction Hold Open, Left Hand (9500 Only)	
PRO9501-5	Parallel Rigid Arm w/Offset Soffit Plate, Non-Hold Open (9500 Only)	\$152.00
PRO9501-8R	Parallel Rigid Arm w/Offset Soffit Plate, Hold Open, Right Hand (9500 Only)	\$173.00
PRO9501-8L	Parallel Rigid Arm w/Offset Soffit Plate, Hold Open, Left Hand (9500 Only)	

ARM ASSEMBLIES - 1700

MODEL NO.	PRODUCT DESCRIPTION	LIST PRICE
1700-1	Arm Assembly, Non-Hold Open	\$67.00
1700-3	Arm Assembly, Hold Open	\$104.00

STAINLESS STEEL ARMS - 1601SS, 7500SS

MODEL NO.	PRODUCT DESCRIPTION	LIST PRICE
7701SS-1	Regular Arm Assembly (SS), Non-Hold Open	\$402.00
7701SS-1M	Main Arm Assembly (SS)	\$207.00
7701SS-111	Secondary Arm Assembly (SS)	
7701SS-1A	J Top Jamb Arm Assembly, Non-Hold Open	\$402.00
7701SS-1M	Main Arm Assembly (SS)	\$207.00
7701SS-121	Secondary Arm Assembly (SS)	
^7701SS-6	Parallel Arm Assembly (SS), Non-Hold Open	\$402.00
7701SS-1M	Main Arm Assembly (SS)	\$207.00
^7701SS-116	Secondary Arm Assembly (SS)	
7701SS-AS	Arm Shoe Assembly	\$53.00
7701SS-ES	Screw and Washer Assembly	\$10.20

^1601SS and 7500SS only.

SECURITY ARMS AND TRACK ASSEMBLIES - 7570

MODEL NO.	PRODUCT DESCRIPTION	LIST PRICE
*7771-1	Regular Rigid Arm Assembly, Non-Hold Open	\$229.00
*7771-5	Parallel Rigid Arm Assembly, Non-Hold Open	\$253.00
*CLP7771-5	CloserPlus® Arm Assembly, Non-Hold Open	\$294.00
*CLP7771-8T	CloserPlus® Arm Assembly, Hold Open	\$355.00
*CPS7771-5	CloserPlus Spring™ Arm Assembly, Non-Hold Open	\$452.00
*CPS7771-8T	CloserPlus Spring™ Arm Assembly, Hold Open	\$514.00
*7771ST-1A	Slide Track - Arm Only	\$148.00
*7771ST-1T	Pull Side Slide Track Assembly, Non-Hold Open	\$259.00
*7771ST-5T	Push Side Slide Track Assembly, Non-Hold Open	
7740SLD	Assembly Pack	\$99.80

*Furnished standard with Torx® security screws. Sex Nuts not included.

UNITROL® ARMS - 1600BC, 1601, 7500, 8000

MODEL NO.	PRODUCT DESCRIPTION	LIST PRICE
6100-11	Arm Assembly, Non-Hold Open, Door Width 28" to 32"	\$393.00
6100-13	Arm Assembly, Non-Hold Open, Door Width 33" to 41"	
6100-14	Arm Assembly, Non-Hold Open, Door Width 42" to 48"	
6100-1	Arm Assembly, Hold Open, Door Width 28" to 32"	\$497.00
6100-3	Arm Assembly, Hold Open, Door Width 33" to 41"	
6100-4	Arm Assembly, Hold Open, Door Width 42" to 48"	

UNITROL® ARMS - 7570 SECURITY

MODEL NO.	PRODUCT DESCRIPTION	LIST PRICE
6100-11	Arm Assembly, Non-Hold Open, Door Width 28" to 32"	\$393.00
6100-13	Arm Assembly, Non-Hold Open, Door Width 33" to 41"	
6100-14	Arm Assembly, Non-Hold Open, Door Width 42" to 48"	

UNITROL® ARMS - 9500

MODEL NO.	PRODUCT DESCRIPTION	LIST PRICE
9100-11	Arm Assembly, Non-Hold Open, Door Width 28" to 32"	\$393.00
9100-13	Arm Assembly, Non-Hold Open, Door Width 33" to 41"	
9100-14	Arm Assembly, Non-Hold Open, Door Width 42" to 48"	
9100-1	Arm Assembly, Hold Open, Door Width 28" to 32"	\$497.00
9100-3	Arm Assembly, Hold Open, Door Width 33" to 41"	
9100-4	Arm Assembly, Hold Open, Door Width 42" to 48"	

UNITROL® ARMS - 78B/F

MODEL NO.	PRODUCT DESCRIPTION	LIST PRICE
6130-17	Arm Assembly, Non-Hold Open, Door Width 28" to 32"	\$393.00
6130-18	Arm Assembly, Non-Hold Open, Door Width 33" to 41"	
6130-19	Arm Assembly, Non-Hold Open, Door Width 42" to 48"	
6130-7	Arm Assembly, Hold Open, Door Width 28" to 32"	\$497.00
6130-8	Arm Assembly, Hold Open, Door Width 33" to 41"	
6130-9	Arm Assembly, Hold Open, Door Width 42" to 48"	

USA & Canada Prices Effective March 16, 2020

ASSA ABLOY

Experience a safer
and more open world

Norton and Rixson are brands associated with ASSA ABLOY Accessories and Door Controls Group, Inc., an ASSA ABLOY Group company. Copyright © 2002-2020, ASSA ABLOY Accessories and Door Controls Group, Inc. All rights reserved. Reproduction in whole or in part without the express written permission of ASSA ABLOY Accessories and Door Controls Group, Inc. is prohibited. Contact Norton: 877-974-2255 or visit www.nortondoortcontrols.com; Contact RIXSON: 800-457-5670 or visit www.rixson.com. In Canada contact us at: 800-461-3007 or visit www.assaabloydss.ca

TOP JAMB UNITROL® ARMS - 1600BC, 1601, 7500, 8000

MODEL NO.	PRODUCT DESCRIPTION	LIST PRICE
J6100-4	Arm Assembly, Non-Hold Open, Frame Reveals 2-1/8" to 3-1/4"	\$438.00
J6200-4	Arm Assembly, Non-Hold Open, Frame Reveals 1/2" to 2"	
J6400-4	Arm Assembly, Non-Hold Open, Frame Reveals 3-3/8" to 4-1/4"	
J6500-41	Arm Assembly, Non-Hold Open, Frame Reveals 4-3/8" to 5-3/8"	
J6500-42	Arm Assembly, Non-Hold Open, Frame Reveals 5-1/2" to 6-3/8"	
J6500-43	Arm Assembly, Non-Hold Open, Frame Reveals 6-1/2" to 7-3/8"	
J6600-4	Arm Assembly, Non-Hold Open, Frame Reveals 0" to 3/8"	
J6100-7	Arm Assembly, Hold Open, Frame Reveals 2-1/8" to 3-1/4"	\$558.00
J6200-7	Arm Assembly, Hold Open, Frame Reveals 1/2" to 2"	
J6400-7	Arm Assembly, Hold Open, Frame Reveals 3-3/8" to 4-1/4"	
J6500-71	Arm Assembly, Hold Open, Frame Reveals 4-3/8" to 5-3/8"	
J6500-72	Arm Assembly, Hold Open, Frame Reveals 5-1/2" to 6-3/8"	
J6500-73	Arm Assembly, Hold Open, Frame Reveals 6-1/2" to 7-3/8"	
J6600-7	Arm Assembly, Hold Open, Frame Reveals 0" to 3/8"	

SLIDE TRACKS (INCLUDING STP) - 7500ST, 8000ST

MODEL NO.	PRODUCT DESCRIPTION	LIST PRICE
7701ST-1T	Pull Side Slide Track Assembly, Non-Hold Open	\$201.00
7701ST-5T	Push Side Slide Track Assembly, Non-Hold Open	
7701ST-1T180	Pull Side Slide Track Assembly, Non-Hold Open 180°	
7701ST-3T	Pull Side Slide Track Assembly, Hold Open	\$302.00
7701ST-8T	Push Side Slide Track Assembly, Hold Open	
7701ST-1A	Arm Assembly (all except STP)	\$110.00
7701STP-1A	Arm Assembly (STP only)	
7700STEC	End Cap (2 required)	\$7.80
7700SLD	Slider Assembly	\$106.00
7700ASR	Retaining Ring	\$3.60
7700AS	Arm Stud	\$7.40
7700ASC	Arm Stud Clip	\$9.50
7701PT-DE-1R	Double Egress Arm Assembly, Right Hand	\$201.00
7701PT-DE-1L	Double Egress Arm Assembly, Left Hand	
7701ST-1ATR	Double Egress Arm Tube Assembly, Right Hand	\$146.00
7701ST-1ATL	Double Egress Arm Tube Assembly, Left Hand	
7701ST-1AT	Arm Tube Assembly (all except STP)	\$59.00
7701ST-1AR	Adjusting Rod Assembly (all units)	
7701STP-1AT	Arm Tube Assembly (STP only)	
7700ALAS	Arm Length Adjusting Screw	\$7.10

USA & Canada Prices Effective March 16, 2020

ASSA ABLOY

Norton and Rixson are brands associated with ASSA ABLOY Accessories and Door Controls Group, Inc., an ASSA ABLOY Group company. Copyright © 2002-2020, ASSA ABLOY Accessories and Door Controls Group, Inc. All rights reserved. Reproduction in whole or in part without the express written permission of ASSA ABLOY Accessories and Door Controls Group, Inc. is prohibited. Contact Norton: 877-974-2255 or visit www.nortondoорcontrols.com; Contact RIXSON: 800-457-5670 or visit www.rixson.com. In Canada contact us at: 800-461-3007 or visit www.assaabloydss.ca

LOW PROFILE SLIDE TRACKS - 7540, 8041, 8051

MODEL NO.	PRODUCT DESCRIPTION	LIST PRICE
7740ST-1T	Pull Side Slide Track Assembly, Non-Hold Open	\$201.00
7740ST-5T	Push Side Slide Track Assembly, Non-Hold Open	
7740ST-3T	Pull Side Slide Track Assembly, Hold Open	\$255.00
7740ST-8T	Push Side Slide Track Assembly, Hold Open	
7740ST-1A	Arm Assembly	\$110.00
7740SLD	Slider Assembly, Non-Hold Open	\$99.80
7740HSLD	Slider Assembly, Hold Open	\$146.00
7701ST-1AT	Arm Tube Assembly	\$59.00
7740ST-1AR	Adjusting Rod Assembly	

SLIDE TRACKS ASSEMBLIES & PARTS - 9500

MODEL NO.	PRODUCT DESCRIPTION	LIST PRICE
9501ST-1T	Pull Side Track (Non-Hold Open)	\$201.00
9501ST-5T	Push Side Track and Arm Assembly (Non-Hold Open)	
9501ST-3T	Pull Side Track (Hold Open)	\$302.00
9501ST-8T	Push Side Track and Arm Assembly (Hold Open)	
9501ST-1A	Push or Pull Side Arm (Non-Hold Open or Hold Open)	\$110.00

ARM ASSEMBLIES - 78-B/F

MODEL NO.	PRODUCT DESCRIPTION	LIST PRICE
B/F-1	Regular Arm Assembly, Non-Hold Open	\$105.00
B/F-1M	Main Arm	\$57.00
B/F-1W	Main Arm Less Rod and Shoe	\$93.00
B/F-11	Rod and Shoe	\$40.00
B/F-3	Regular Arm Assembly, Hold Open 90° to 180°	\$153.00
B/F-1M	Main Arm	\$57.00
B/F-3W	Main Arm Less Holder Shoe and Loop	\$93.00
B/F-13	Holder Shoe and Loop	\$60.00
B/F-5	Parallel Arm Assembly, Non-Hold Open	\$105.00
B/F-1M	Main Arm	\$57.00
B/F-5W	Main Arm Less Rod and Soffit Plate	\$93.00
B/F-15	Rod and Soffit Plate	\$40.00
*B/F-8	Parallel Arm Assembly, Hold Open 90° to 180°, Specify Hand	\$153.00
B/F-1M	Main Arm	\$57.00
B/F-8W	Main Arm and Rod Less Soffit Plate and Holder Loop Assembly	\$93.00
B/F-18	*Soffit Plate Holder and Loop Assembly	\$89.00
78PRA-5	Parallel Rigid Arm Assembly, Non-Hold Open	\$170.00
78PRA-8R	Parallel Rigid Arm Assembly, Hold Open (Right Hand)	\$188.00
78PRA-8L	Parallel Rigid Arm Assembly, Hold Open (Left Hand)	
7701-HS	Hex Screw and Washer Assembly	\$1.20
7701-HSS	Square Head Set Screw	\$8.70
7701-ES	Elbow Screw	\$9.20

*Specify Hand.

ASSA ABLOY

Experience a safer
and more open world

USA & Canada Prices Effective March 16, 2020

Norton and Rixson are brands associated with ASSA ABLOY Accessories and Door Controls Group, Inc., an ASSA ABLOY Group company. Copyright © 2002-2020, ASSA ABLOY Accessories and Door Controls Group, Inc. All rights reserved. Reproduction in whole or in part without the express written permission of ASSA ABLOY Accessories and Door Controls Group, Inc. is prohibited. Contact Norton: 877-974-2255 or visit www.nortondoortcontrols.com; Contact RIXSON: 800-457-5670 or visit www.rixson.com. In Canada contact us at: 800-461-3007 or visit www.assaabloydss.ca

PARTS - 78-B/F

MODEL NO.	PRODUCT DESCRIPTION	LIST PRICE
24BD	B/D Spring	\$156.00
56EF	E/F Spring	\$174.00
230BC	Spring (prior to 1978 model)	\$553.00
230D		\$340.00
230EF		\$252.00
1543R	Jackscrew - Right Hand	\$13.80
1543L	Jackscrew - Left Hand	
455	Locknut	\$12.80
1554	Friction Disc	\$7.80
78-SW	Spanner Wrench	\$19.00

ARM ASSEMBLIES AND PARTS - 7900

MODEL NO.	PRODUCT DESCRIPTION	LIST PRICE
7900PK	Dress Plate Kit	\$92.00
7950-1L	Arm Assembly, Non-Hold Open, Left Hand	\$147.00
7950-1R	Arm Assembly, Non-Hold Open, Right Hand	
7950-3	Arm Assembly, Hold Open	\$263.00
7950ST	Track Assembly, Non-Hold Open	
7950STH	Track Assembly, Hold Open	
7900SLD	Non-Hold Open Slider	\$111.00
7950SLD	Hold Open Slider	
7900SP	Complete Screw Pack	\$25.90
7950H	Hold Open Assembly	\$110.00

ARM ASSEMBLIES AND PARTS - 7970 SECURITY

MODEL NO.	PRODUCT DESCRIPTION	LIST PRICE
7970PK	Security Dress Plate Kit	\$101.00
7970-1L	Security Arm Assembly, Left Hand	\$150.00
7970-1R	Security Arm Assembly, Right Hand	
7970ST	Security Track Assembly	\$271.00
7970SLD	Slider	\$111.00
7970SP	Complete Screw Pack	\$59.40
70TK	Torx® Tool Kit	\$188.00

SLIDE TRACK ASSEMBLIES AND PARTS - 2800ST

MODEL NO.	PRODUCT DESCRIPTION	LIST PRICE
28ST-IT	Pull Side Slide Track & Arm Assembly, Non-Hold Open	\$201.00
28ST-3T	Pull Side Slide Track & Arm Assembly, Hold Open	\$302.00
28ST-5T	Push Side Slide Track & Arm Assembly, Non-Hold Open	\$201.00
28ST-8T	Push Side Slide Track & Arm Assembly, Hold Open	\$302.00
2800LAP	Closer Body Only	\$449.00
SP2800B	Closer Screw Pack	\$11.60
SP2800S	Spline Screw Pack	\$29.10
SP28T	Track Screw Pack	\$15.50
2800P	Plastic Cover	\$41.00
28STHO	Hold Open Assembly	\$48.80
28STPB	Stop Mount Track Angle Bracket	\$51.70

USA & Canada Prices Effective March 16, 2020

ASSA ABLOY

Experience a safer
and more open world

Norton and Rixson are brands associated with ASSA ABLOY Accessories and Door Controls Group, Inc., an ASSA ABLOY Group company. Copyright © 2002-2020, ASSA ABLOY Accessories and Door Controls Group, Inc. All rights reserved. Reproduction in whole or in part without the express written permission of ASSA ABLOY Accessories and Door Controls Group, Inc. is prohibited. Contact Norton: 877-974-2255 or visit www.nortondoortcontrols.com; Contact RIXSON: 800-457-5670 or visit www.rixson.com. In Canada contact us at: 800-461-3007 or visit www.assaabloydss.ca

MOTOR AND MAIN ARM ASSEMBLIES - 5600

MODEL NO.	PRODUCT DESCRIPTION	LIST PRICE
5610M	Motor and Main Arm Assembly	\$1,181.00
5630M	Motor, Main Arm and Tube Assembly	

PARTS - 5600

MODEL NO.	PRODUCT DESCRIPTION	LIST PRICE
5600IN	Inverter	\$665.00
5700M	Motor Assembly	\$1,089.00
5600SP	Screw Pack	\$26.00
5600COV	Cover	\$105.00
5600PS	Power Supply	\$111.00
5700PC	Power Cord	\$23.00

ARM AND TRACK ASSEMBLIES - 5700

MODEL NO.	PRODUCT DESCRIPTION	LIST PRICE
5710-1	Arm and Track Assembly (Pull)	\$313.00
7701ST-1A	Arm Assembly	\$110.00
7200-1T	Track Assembly	\$219.00
7701-1A	Arm Assembly (Push)	\$105.00
7701-1W	Main Arm and Rod	\$93.00
7701-11A	Adjusting Tube and Shoe	\$40.00

PARTS - 5700

MODEL NO.	PRODUCT DESCRIPTION	LIST PRICE
1601LAP	Closer Body, Size 1-6	\$194.00
5700C	Chain	\$22.00
5700M	Motor Assembly	\$1,089.00
5700IN	Inverter	\$665.00
5700DPA	Door Position Adjustment Assembly	\$102.00
5700CVR	Cover	\$105.00
5700SW	On/Off Switch	\$6.20
5700RS	Reed Switch	\$22.00
5700PWS	RF Power Supply	\$111.00
5700PC	Power Cord	\$23.00

UNIT SUB-ASSEMBLIES - 6000

MODEL NO.	PRODUCT DESCRIPTION	LIST PRICE
6011LAP	Unit Sub-Assembly (6011, 6051)	\$3,018.00
6021LAP	Unit Sub-Assembly (6021, 6031, 6061, 6071)	
H6010LAP	Unit Sub-Assembly (6010, 6050)	
H6020LAP	Unit Sub-Assembly (6020, 6030, 6060, 6070)	

ARM AND TRACK ASSEMBLIES - 6000

MODEL NO.	PRODUCT DESCRIPTION	LIST PRICE
6610-1	Arm and Track Assembly (6010, 6011)	\$329.00
7210-1A	Arm Assembly	\$171.00
7200-1T	Track Assembly	\$219.00
6020-1	Arm Assembly (6020, 6021)	\$183.00
6020-1W	Main Arm and Rod	\$159.00
6620-12	Adjusting Tube and Shoe	\$159.00
6030-1	Arm Assembly (6030, 6031)	\$335.00
6030-1W	Main Arm and Rod	\$172.00
6620-12	Adjusting Tube and Shoe	\$159.00
6050-1L	Arm and Track Assembly, Left Hand (6050, 6051)	\$534.00
7250-1L	Arm Assembly Left Hand	\$372.00
7200-1T	Track Assembly	\$219.00
6050-1R	Arm and Track Assembly, Right Hand (6050, 6051)	\$534.00
7250-1R	Arm Assembly Right Hand	\$372.00
7200-1T	Track Assembly	\$219.00
6660-1	Arm Assembly (6060, 6061)	\$382.00
6660-11	Rod and Snubber Assembly	\$172.00
6670-1	Arm Assembly (6070, 6071)	\$382.00
6670-11	Rod and Snubber Assembly	\$172.00
6061-1	Unitrol® Arm Assembly (D6001DE)	\$335.00
6660-11	Rod and Snubber Assembly	\$172.00

USA & Canada Prices Effective March 16, 2020

ASSA ABLOY

Experience a safer
and more open world

Norton and Rixson are brands associated with ASSA ABLOY Accessories and Door Controls Group, Inc., an ASSA ABLOY Group company. Copyright © 2002-2020, ASSA ABLOY Accessories and Door Controls Group, Inc. All rights reserved. Reproduction in whole or in part without the express written permission of ASSA ABLOY Accessories and Door Controls Group, Inc. is prohibited. Contact Norton: 877-974-2255 or visit www.nortondoорcontrols.com; Contact RIXSON: 800-457-5670 or visit www.rixson.com. In Canada contact us at: 800-461-3007 or visit www.assaabloydss.ca

PARTS - 6000 (MODELS ENDING IN "1" i.e. 6011, 6031, etc.)

MODEL NO.	PRODUCT DESCRIPTION	LIST PRICE
6001COV	Cover - Single	\$193.00
D6001COV-36	Cover - Double 36"	\$238.00
D6001COV-42	Cover - Double 42"	
D6001COV-48	Cover - Double 48"	
6001BP	Back Plate - Single	\$170.00
D6001BP-36-LH	Back Plate - Double 36" - Left Hand	\$215.00
D6001BP-36-RH	Back Plate - Double 36" - Right Hand	
D6001BP-42-LH	Back Plate - Double 42" - Left Hand	\$268.00
D6001BP-42-RH	Back Plate - Double 42" - Right Hand	
D6001BP-48-LH	Back Plate - Double 48" - Left Hand	\$340.00
D6001BP-48-RH	Back Plate - Double 48" - Right Hand	
6001DAB	Drop Angle Bracket - Single 36"	\$193.00
6001DAB2	Drop Angle Bracket - Single 42" and 48"	
D6001DAB-36	Drop Angle Bracket - Double 36"	\$216.00
D6001DAB-42	Drop Angle Bracket - Double 42"	
D6001DAB-48	Drop Angle Bracket - Double 48"	
6001PM	Power Module Sub-Assembly	\$912.00
6001ENLH	End Cap - Left Hand	\$62.00
6001ENRH	End Cap - Right Hand	
6001U	Union - Single	\$214.00
D6001U	Union - Double	\$256.00
6001US	Union Spacer	\$14.00
6001CON	Conduit Assembly - Single	\$142.00
D6001CON	Conduit Assembly - Double	\$158.00
6000IN	Inverter	\$1,271.00
5700SW	On/Off Switch	\$6.20
6000CB	Circuit Breaker	\$43.50
6000SUP	Power Supply	\$214.00
7500LAP	7500 Closer Body	\$427.00
6000MS	Motor Support	\$134.00
6001SK	Shim Kit	\$29.00
6001SC-1	Screw Pack - Back Plate	\$16.00
6001SC-2	Screw Pack - Standard	\$46.00
D6001SYNC	Sync Cable	\$15.00

PARTS - 6000 (MODELS ENDING IN "0"; i.e. 6010, 6030, etc.)

MODEL NO.	PRODUCT DESCRIPTION	LIST PRICE
6000IN	Inverter	\$1,271.00
H6000COV	Cover	\$193.00
5700SW	On/Off Switch	\$6.20
6000DAB	Drop Angle Bracket	\$153.00
6000DAB180	Drop Angle Bracket - 180° Swing	
6000CB	Circuit Breaker	\$43.50
6000SUP	Power Supply	\$214.00
6000SEC	Security Plate Pack	\$153.00
6000SFB	Aluminum Storefront Bracket	
SP6000	Screw Pack	\$50.10

ARM AND TRACK ASSEMBLIES - 6300

MODEL NO.	PRODUCT DESCRIPTION	LIST PRICE
6310-1	Arm and Track Assembly (6311, 6312)	\$329.00
6310-1W	Arm Assembly	\$171.00
7100-1T	Track Assembly	\$219.00
6330-1	Arm Assembly (6331, 6332)	\$335.00
6330-1W	Main Arm and Rod	\$172.00
6620-12	Adjusting Tube and Shoe	\$159.00
6350-1L	Double Egress Arm, Left Hand (6351, 6352)	\$534.00
6350-1LW	Arm Assembly, Left Hand	\$372.00
7100-1T	Track Assembly	\$219.00
6350-1R	Double Egress Arm, Right Hand (6351, 6352)	\$534.00
6350-1RW	Arm Assembly, Right Hand	\$372.00
7100-1T	Track Assembly	\$219.00

PARTS - 6300

MODEL NO.	PRODUCT DESCRIPTION	LIST PRICE
6300END	End Cap Kit	\$286.00
6300SP	Screw Pack	\$57.00
6300COV	Cover (6312, 6332, 6342, 6352)	\$193.00
6300CM2	Power Supply/Board Assembly	\$1,128.00
6300CAB2	Cable Kit	\$125.00
6300COV2	Cover (6311, 6331, 6341, 6351)	\$193.00

UNIT SUB-ASSEMBLIES - 6300

MODEL NO.	PRODUCT DESCRIPTION	LIST PRICE
6300LAP	Pull or Push Sub-Assembly (All Models)	\$3,045.00

CLOSER BODIES - SAFEZONE®

MODEL NO.	PRODUCT DESCRIPTION	LIST PRICE
720XLAPS24L	Closer Body, 24V, Selective Hold Open, Left Hand	\$984.00
720XLAPS24R	Closer Body, 24V, Selective Hold Open, Right Hand	

Note: "X" in part number - specify closer size.

SLIDE TRACKS AND ARM ASSEMBLIES - SAFEZONE®

MODEL NO.	PRODUCT DESCRIPTION	LIST PRICE
7100-1T	Slide Track (7110SZ, 7150SZ)	\$219.00
7110-1A	Slide Arm (7110SZ)	\$171.00
7150-1R	Double Egress Arm - Right Hand (7150SZ)	\$372.00
7150-1L	Double Egress Arm - Left Hand (7150SZ)	
7701-1A	Double Lever Arm (7120SZ)	\$105.00
7701-1B	Double Lever Arm (7130SZ)	
7100SLD	Slider Assembly (part of slide track assembly)	\$106.00
7100CB	Cushion Block	\$72.00

COVERS - SAFEZONE®

MODEL NO.	PRODUCT DESCRIPTION	LIST PRICE
7100CL	Left Hand	\$454.00
7100CR	Right Hand	

PARTS - SAFEZONE®

MODEL NO.	PRODUCT DESCRIPTION	LIST PRICE
7100SK	Sensor Kit	\$501.00
7100PS	Power Supply (120V only)	\$203.00
7100REM	Remote	\$67.00

CLOSER BODIES - 7200

MODEL NO.	PRODUCT DESCRIPTION	LIST PRICE
720XLAPS24L	Closer/Holder Assembly, 24V, Left Hand	\$984.00
720XLAPS24R	Closer/Holder Assembly, 24V, Right Hand	

Note: "X" in part number - specify closer size.

SLIDE TRACKS AND ARM ASSEMBLIES - 7200

MODEL NO.	PRODUCT DESCRIPTION	LIST PRICE
7100-1T	Slide Track for 7210, 7240, 7250	\$219.00
7110-1A	Slide Arm for 7210	\$171.00
7140-1A	Connected Free Swing Arm Assembly for 7240	\$270.00
7150-1R	Double Egress Arm, Right Hand for 7250	\$372.00
7150-1L	Double Egress Arm, Left Hand for 7250	
7701-1A	Double Lever Arm for 7220	\$105.00
7701-1B	Double Lever Arm for 7230	
7950-1L	Arm Assembly, Non-Hold Open, Left Hand - 7290	\$147.00
7950-1R	Arm Assembly, Non-Hold Open, Right Hand - 7290	
7950ST	Track Assembly, Non-Hold Open - 7290	\$263.00

SLIDE TRACK AND ARM PARTS - 7200

MODEL NO.	PRODUCT DESCRIPTION	LIST PRICE
7100CB	Cushion Block (part of slider assembly)	\$72.00
7240SP	Screw Pack for CFS Arm	\$100.00

PARTS - 7200

MODEL NO.	PRODUCT DESCRIPTION	LIST PRICE
MPDOSD24	Smoke Detector Board	\$532.00
MPSOCOV	Cover (Slave/Support Unit)	\$133.00
MPDOCOV	Cover (Master Unit)	\$154.00
SHOK	Selective Hold Open Switch Assembly 24V	\$118.00
SHO	Switch 24V	\$113.00

TRACK ASSEMBLIES - POWER TRACK®

MODEL NO.	PRODUCT DESCRIPTION	LIST PRICE
PTO24	Hinge Side Track, Master or Support, 24V	\$425.00
PPTO24	Stop Side Track, Master or Support, 24V	

Note: Master or Support Unit Assemblies include track, slider assembly and solenoid block assembly. Hook-up box not included.

TRACK PARTS - POWER TRACK®

MODEL NO.	PRODUCT DESCRIPTION	LIST PRICE
7700SLD	Slider Assembly	\$106.00
7700ASC	Slider Arm Stud Clip (included in slider assembly)	\$9.50
7700STEC	Track Assembly End Cap	\$7.80
PT24SOL	Solenoid Block Assembly 24V	\$288.00

ARM ASSEMBLIES - POWER TRACK®

MODEL NO.	PRODUCT DESCRIPTION	LIST PRICE
7701ST-1A	Standard Arm Assembly	\$110.00
7701ST-1AT	Adjusting Head and Tube Assembly	\$59.00
7701ST-1AR	Adjusting Rod Assembly	
7701PT-DE-1R	Double Egress Arm Assembly, Right Hand	\$201.00
7701PT-DE-1L	Double Egress Arm Assembly, Left Hand	
7701ST-1ATR	Double Egress Adjusting Arm and Tube Assembly, Right Hand	\$146.00
7701ST-1ATL	Double Egress Adjusting Head and Tube Assembly, Left Hand	
7700AS	Arm Stud	\$7.40
7700ASR	Retaining Ring	\$3.60
7700ALAS	Arm Length Adjusting Screw	\$7.10

HOOK-UP BOXES AND PARTS - POWER TRACK®

MODEL NO.	PRODUCT DESCRIPTION	LIST PRICE
PTOHB24	Hook-Up Box Support Unit, 24V, Hinge Side	\$358.00
PTOHB120	Hook-Up Box Support Unit, 120V, Hinge Side	
PTDOHB24	Hook-Up Box Master Unit, 24V, Hinge Side	
PTDOHB120	Hook-Up Box Master Unit, 120V, Hinge Side	\$969.00
PPTOHB24	Hook-Up Box Support Unit, 24V, Stop Side	
PPTOHB120	Hook-Up Box Support Unit, 120V, Stop Side	
PPTDOHB24	Hook-Up Box Master Unit, 24V, Stop Side	\$958.00
PPTDOHB120	Hook-Up Box Master Unit, 120V, Stop Side	
PTO125V	Fuse	\$19.50
PTDOHBCOV	Hook-Up Box Cover Kit (includes cover and screws), Master Unit	\$104.00
PTOHBCOV	Hook-Up Box Cover Kit (includes cover and screws), Support Unit	\$71.00
PTOPCB24	Hook-Up Board, 24V, Master, Support or Slave Units	\$168.00
PTOPCB120	Hook-Up Board, 120V, Master or Support Units	
MPDOSD24	Smoke Detector Board	\$532.00
P7700PB	Push Side Hook-Up Box Plug Button	\$9.00
PT24SOL	Solenoid Block Assembly (24V)	\$288.00

Note: Specify finish on all hook-up boxes. Specify finish on smoke detector cover.

ASSA ABLOY

Experience a safer
and more open world

USA & Canada Prices Effective March 16, 2020

Norton and Rixson are brands associated with ASSA ABLOY Accessories and Door Controls Group, Inc., an ASSA ABLOY Group company. Copyright © 2002-2020, ASSA ABLOY Accessories and Door Controls Group, Inc. All rights reserved. Reproduction in whole or in part without the express written permission of ASSA ABLOY Accessories and Door Controls Group, Inc. is prohibited. Contact Norton: 877-974-2255 or visit www.nortondoortcontrols.com; Contact RIXSON: 800-457-5670 or visit www.rixson.com. In Canada contact us at: 800-461-3007 or visit www.assaabloydss.ca

