



*QUICK
SHIP*



BALDWIN®

QUICK SHIP
PRICEBOOK DECEMBER 2023



TABLE OF CONTENTS

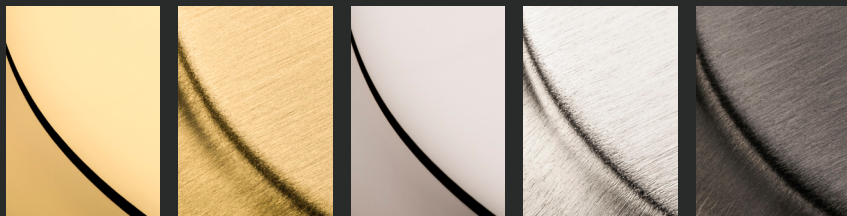
Pre-Configured Knobs.....	8-12
Pre-Configured Levers.....	13-20
Keyed Entry Knobs.....	21-22
Keyed Entry Levers.....	23
Touchscreen.....	24-25
Tubular Handlesets.....	26-32
Mortise Handleset Trims.....	33-37
Mortise Locks	38-39
Deadbolts	40-41
Pocket Doors Locks and Trim	42
Hinges	43-44
General Hardware	45-51
Cabinet Hardware	52-69
Miscellaneous Parts	65-66

finishes

Baldwin has simplified our finish offering to single tier pricing. All Baldwin Estate finishes are now offered at the same price, making it easier to select the perfect finish for your project.

With a wide spectrum of richly detailed, designer finishes and textures, Baldwin stands alone as the finish leader. Baldwin finishes are meticulously crafted of the finest materials offered in a broad array of Living, Lifetime, and Lacquered finishes.

LIFETIME PVD FINISHES



003

Lifetime (PVD)
Polished Brass

044

Lifetime (PVD)
Satin Brass

055

Lifetime (PVD)
Polished Nickel

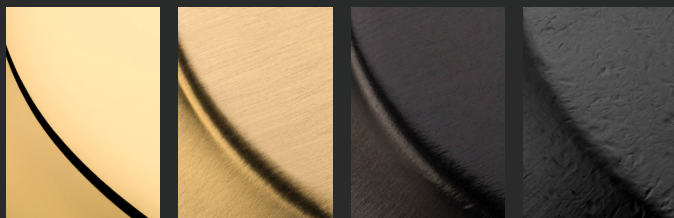
056

Lifetime (PVD)
Satin Nickel

076

Lifetime (PVD)
Graphite Nickel

LIVING FINISHES



031

Non-lacquered
Brass

033

Vintage Brass

102

Oil Rubbed Bronze

402

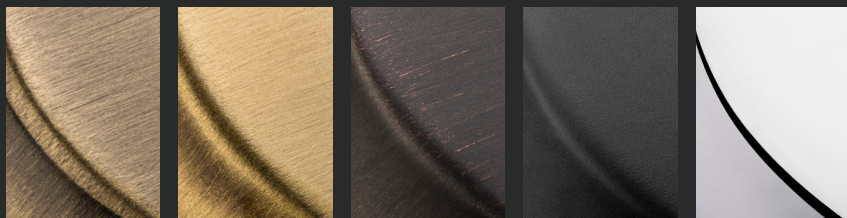
Distressed Oil
Rubbed Bronze

LIVING FINISH

(031, 033, 102, 402)

Product finishes which are LIVING will vary over time.
They are not eligible for finish warranty.

NON-LIVING FINISHES



050

Satin Brass & Black

060

Satin Brass & Brown

112

Venetian Bronze

190

Satin Black

260

Polished Chrome

HAND-RELIEVED FINISH VARIANCES:

(050, 060, 112)

Product finishes which are HAND RELIEVED may vary in luster, hue and appearance as a result of handcrafted variances in the final finishing step.

BALDWIN #	US #	BHMA #
003 =	3	–
044 =	4	606
050 =	5	609
056 =	15	–
102 =	10B	613
190 =	19	622
260 =	26	625

CRAFTED EXCELLENCE, DELIVERED QUICKLY

Our iconic lead time has undergone a stylish transformation, marked by our updated logo. Gone are the days of waiting for beauty—now, experience elegance in just 5 business days. With over 5200 exquisite products, Quick Ship boasts a comprehensive selection, all meticulously packaged with everything you need for effortless installation in one box. Whether you seek keyed entry, handlesets, pocket door locks, deadbolts, cabinet hardware, or general hardware, Quick Ship delivers. Select your preferred styles and finishes, confident that your order will arrive within a mere 5 business days. Elevate your home's allure with Baldwin Hardware's Quick Ship program today!

BALDWIN®



Available Quick Ship styles & functions are marked with the Quick Ship logo and red font throughout the price book.

- Available in Passage, Privacy, Full Dummy & Half Dummy Functions
- Sets include knob(s) and rosette(s), full-lip strikes
- 2-3/8" Backset Latch & 2-1/8" Pre-Drilled Door Adaptor Included for Passage & Privacy Functions
- Works with 1 3/8" and 1 3/4" Thick Doors"

5000 Knob w/ 5048 Rose



003	031	044	033
260	055	056	076
102	112	190	

5011 Knob w/ 5058 Rose



003	031	044	033
260	055	056	076
102	112	190	

5013 Knob w/ 5021 Rose



003	031	044	033
260	055	056	076
102	112	190	

5015 Classic Knob w/ 5048 Rose



003	031	044	033
260	055	056	076
102	112	190	

5020 Colonial Knob w/ 5048 Rose



003	031	044	033
260	055	056	076
102	112	190	

5023 Knob w/ R016 Rose



003	031	044	033
260	055	056	076
102	112	190	

5024 Knob w/ R030 Rose



112	102	190	402
-----	-----	-----	-----

5025 Egg Knob w/ 5048 Rose



003	031	044	033
260	055	056	076
102	112	190	

5030 Knob w/ 5048 Rose



003	031	044	033
260	055	056	076
102	112	190	

5041 Knob w/ 5046 Rose



102	112	190	044
055	056	260	076

5055 Knob w/ 5046 Rose



102	112	190	044
055	056	260	076

5057 Knob w/ 5048 Rose



003	031	044	033
260	055	056	076
102	112	190	

5064 Knob w/ 5004 Rose



003	031	044	033
260	055	056	076
102	112	190	

5066 Knob w/ 5078 Rose



003	031	044	033
260	055	056	076
102	112	190	

5068 Knob w/ 5070 Rose



003	031	044	033
260	055	056	076
102	112	190	

5069 Knob w/ 5076 Rose



003	031	044	033
260	055	056	076
102	112	190	

5073 Knob w/ 5046 Rose



102	112	190	044
055	056	260	076

5077 Knob w/ R027 Rose



003	031	044	033
260	055	056	076
102	112	190	

5080 Fillmore Knob w/ 5048 Rose



030	044	260	055
150	112	102	190

K012 Knob w/ 5078 Rose



003	031	044	033
055	056	260	076
102	112	190	

K008 Hollywood Hills Knob
w/ R050 Rose



003	031	044	033
260	055	056	076
102	112	190	

K009 Hollywood Hills Knob
w/ R050 Rose



003	031	044	033
260	055	056	076
102	112	190	

K007 Hollywood Hills Knob
w/ R050 Rose



003	031	044	033
260	055	056	076
102	112	190	

- Available in Passage, Privacy, Full Dummy & Half Dummy Functions
- Sets include knob(s) and rosette(s), full-lip strikes
- 2-3/8" Backset Latch & 2-1/8" Pre-Drilled Door Adaptor Included for Passage & Privacy Functions
- Works with 1 3/8" and 1 3/4" Thick Doors"

5103 Lever w/ 5048 Rose



003	031	044	033
102	112	190	076
055	056	260	

5104 Lever w/ 5004 Rose



003	031	044	033
102	112	190	076
055	056	260	

5105 Lever w/ 5046 Rose



044	102	190	055
056	260	076	112

5106 Lever w/ 5048 Rose



003	031	044	033
102	112	190	076
055	056	260	

5108 Lever w/ 5048 Rose



003	031	044	033
102	112	190	076
055	056	260	

5112 Lever w/ 5075 Rose



003	031	044	033
102	112	190	076
055	056	260	

5113 Lever w/ 5078 Rose



003	031	044	033
102	112	190	076
055	056	260	

5116 Lever w/ 5070 Rose



003	031	044	033
102	112	190	076
055	056	260	

5118 Lever w/ 5076 Rose



003	031	044	033
102	112	190	076
055	056	260	

5121 Lever w/ R012 Rose



003	031	044	033
102	112	190	076
055	056	260	

5122 Lever w/ 5021 Rose



003	031	044	033
102	112	190	076
055	056	260	

5125 Lever w/ 5048 Rose



003	031	044	033
102	112	190	076
055	056	260	

5137 Lever w/ 5046 Rose



044	102	112	190
055	056	260	076

5138 Lever w/ 5047 Rose



044	102	112	190
055	056	260	076

5141 Lever w/ R033 Rose



003	031	044	033
102	112	190	076
055	056	260	

5152 Lever w/ 5048 Rose



003	031	044	033
102	112	190	076
055	056	260	

5161 Lever w/ 5046 Rose



044	102	112	190
055	056	260	076

5162 Lever w/ R017 Rose



044	102	112	190
055	056	260	076

5164 Lever w/ 5046 Rose



044	102	112	190
055	056	260	076

5165 Lever w/ 5046 Rose



044	102	112	190
055	056	260	076

5166 Lever w/ 5046 Rose



044	102	112	190
055	056	260	076

5173 Lever w/ 5046 Rose



044	102	112	190
055	056	260	076

5190 Lever w/ R017 Rose



003	031	044	033
102	112	190	076
055	056	260	

5445V Classic Lever w/ 5048 Rose



003	031	044	033
102	112	190	076
055	056	260	

5447V Bethpage Lever w/ R027 Rose



003	031	044	033
102	112	190	076
055	056	260	

5452V Beavertail Lever w/ R030 Rose



112	102	190	402
076			

5455V Wave Lever w/ 5048 Rose



003	031	044	033
102	112	190	076
055	056	260	

5485V Soho Lever w/ R026 Rose



044	102	112	190
055	056	260	076

L015 Lever w/ R016 Rose



044	102	112	190
055	056	260	076

L021 Lever w/ R017 Rose



044	102	112	190
055	056	260	076

L022 Lever w/ R017 Rose



044	102	112	190
055	056	260	076

L023 Lever w/ R017 Rose



044	102	112	190
055	056	260	076

L024 Lever w/ R046 Rose



003	031	044	033
102	112	190	076
055	056	260	

L029 Gramercy Lever

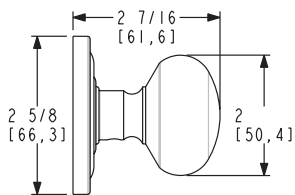


003	031	044	033
102	112	190	076
055	056	260	

PRE-CONFIGURED SETS

5000 Knob w/ 5048 Rose

Passage, Privacy & Dummy



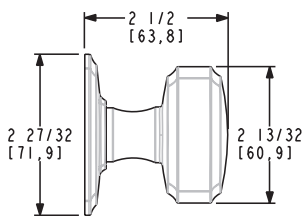
003, 031, 033, 044
055, 056, 076, 102
112, 190, 260

ITEM #	DESCRIPTION	
5000.xxx.FD	Full Dummy	\$286
5000.xxx.IDM	Half Dummy	\$143
5000.xxx.PASS	Passage: 2 3/8" backset	\$358
5000.xxx.PRIV	Privacy: 2 3/8" backset	

- Works with 1 3/8" and 1 3/4" thick doors
- PASS and PRIV functions ship with full lip strike and Pre-Drilled Door Adaptor
- QuickShip is only available with 2 3/8" backset latch. See 2 3/4" latch options on page 63
- Ships with a Full Lip Strike. See T-Strike options on page 63

5011 Knob w/ 5058 Rose

Passage, Privacy & Dummy



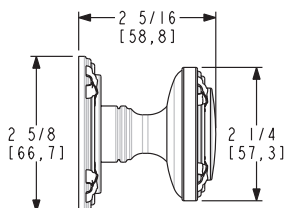
003, 031, 033, 044
055, 056, 076, 102
112, 190, 260

ITEM #	DESCRIPTION	
5011.xxx.FD	Full Dummy	\$286
5011.xxx.IDM	Half Dummy	\$143
5011.xxx.PASS	Passage: 2 3/8" backset	\$358
5011.xxx.PRIV	Privacy: 2 3/8" backset	

- Works with 1 3/8" and 1 3/4" thick doors
- PASS and PRIV functions ship with full lip strike and Pre-Drilled Door Adaptor
- QuickShip is only available with 2 3/8" backset latch. See 2 3/4" latch options on page 63
- Ships with a Full Lip Strike. See T-Strike options on page 63

5013 Knob w/ 5021 Rose

Passage, Privacy & Dummy



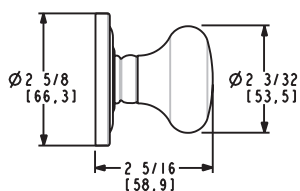
003, 031, 033, 044
055, 056, 076, 102
112, 190, 260

ITEM #	DESCRIPTION	
5013.xxx.FD	Full Dummy	\$286
5013.xxx.IDM	Half Dummy	\$143
5013.xxx.PASS	Passage: 2 3/8" backset	\$358
5013.xxx.PRIV	Privacy: 2 3/8" backset	

- Works with 1 3/8" and 1 3/4" thick doors
- PASS and PRIV functions ship with full lip strike and Pre-Drilled Door Adaptor
- QuickShip is only available with 2 3/8" backset latch. See 2 3/4" latch options on page 63
- Ships with a Full Lip Strike. See T-Strike options on page 63

5015 Knob w/ 5048 Rose

Passage, Privacy & Dummy



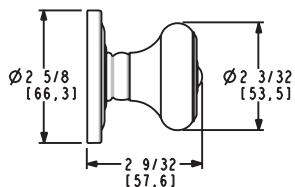
003, 031, 033, 044
055, 056, 076, 102
112, 190, 260

ITEM #	DESCRIPTION	
5015.xxx.FD	Full Dummy	\$244
5015.xxx.IDM	Half Dummy	\$122
5015.xxx.PASS	Passage: 2 3/8" backset	\$305
5015.xxx.PRIV	Privacy: 2 3/8" backset	

- Works with 1 3/8" and 1 3/4" thick doors
- PASS and PRIV functions ship with full lip strike and Pre-Drilled Door Adaptor
- QuickShip is only available with 2 3/8" backset latch. See 2 3/4" latch options on page 63
- Ships with a Full Lip Strike. See T-Strike options on page 63

5020 Colonial Knob w/ 5048 Rose

Passage, Privacy & Dummy



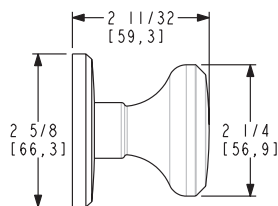
003, 031, 033, 044
055, 056, 076, 102
112, 190, 260

ITEM #	DESCRIPTION	
5020.xxx.FD	Full Dummy	\$244
5020.xxx.IDM	Half Dummy	\$122
5020.xxx.PASS	Passage: 2 3/8" backset	\$305
5020.xxx.PRIV	Privacy: 2 3/8" backset	

- Works with 1 3/8" and 1 3/4" thick doors
- PASS and PRIV functions ship with full lip strike and Pre-Drilled Door Adaptor
- QuickShip is only available with 2 3/8" backset latch. See 2 3/4" latch options on page 63
- Ships with a Full Lip Strike. See T-Strike options on page 63

5023 Knob w/ R016 Rose

Passage, Privacy & Dummy



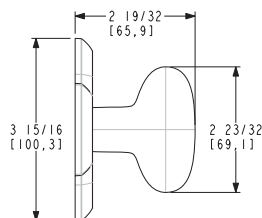
003, 031, 033, 044
055, 056, 076, 102
112, 190, 260

ITEM #	DESCRIPTION	
5023.xxx.FD	Full Dummy	\$244
5023.xxx.IDM	Half Dummy	\$122
5023.xxx.PASS	Passage: 2 3/8" backset	\$305
5023.xxx.PRIV	Privacy: 2 3/8" backset	

- Works with 1 3/8" and 1 3/4" thick doors
- PASS and PRIV functions ship with full lip strike and Pre-Drilled Door Adaptor
- QuickShip is only available with 2 3/8" backset latch. See 2 3/4" latch options on page 63
- Ships with a Full Lip Strike. See T-Strike options on page 63

5024 Knob w/ R030 Rose

Passage, Privacy & Dummy



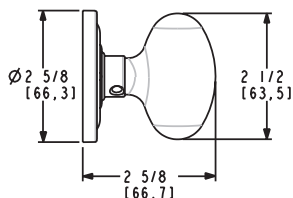
102, 112, 190, 402

ITEM #	DESCRIPTION	
5024.xxx.FD	Full Dummy	\$244
5024.xxx.IDM	Half Dummy	\$122
5024.xxx.PASS	Passage: 2 3/8" backset	\$305
5024.xxx.PRIV	Privacy: 2 3/8" backset	

- Works with 1 3/8" and 1 3/4" thick doors
- PASS and PRIV functions ship with full lip strike and Pre-Drilled Door Adaptor
- QuickShip is only available with 2 3/8" backset latch. See 2 3/4" latch options on page 63
- Ships with a Full Lip Strike. See T-Strike options on page 63

5025 Egg Knob w/ 5048 Rose

Passage, Privacy & Dummy



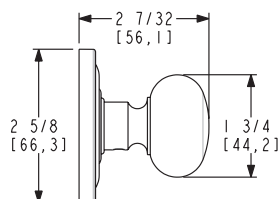
003, 031, 033, 044
055, 056, 076, 102
112, 190, 260

ITEM #	DESCRIPTION	
5025.xxx.FD	Full Dummy	\$244
5025.xxx.IDM	Half Dummy	\$122
5025.xxx.PASS	Passage: 2 3/8" backset	\$305
5025.xxx.PRIV	Privacy: 2 3/8" backset	

- Works with 1 3/8" and 1 3/4" thick doors
- PASS and PRIV functions ship with full lip strike and Pre-Drilled Door Adaptor
- QuickShip is only available with 2 3/8" backset latch. See 2 3/4" latch options on page 63
- Ships with a Full Lip Strike. See T-Strike options on page 63

5030 Knob w/ 5048 Rose

Passage, Privacy & Dummy



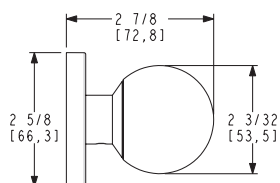
003, 031, 033, 044
055, 056, 076, 102
112, 190, 260

ITEM #	DESCRIPTION	
5030.xxx.FD	Full Dummy	\$286
5030.xxx.IDM	Half Dummy	\$138
5030.xxx.PASS	Passage: 2 3/8" backset	\$358
5030.xxx.PRIV	Privacy: 2 3/8" backset	

- Works with 1 3/8" and 1 3/4" thick doors
- PASS and PRIV functions ship with full lip strike and Pre-Drilled Door Adaptor
- QuickShip is only available with 2 3/8" backset latch. See 2 3/4" latch options on page 63
- Ships with a Full Lip Strike. See T-Strike options on page 63

5041 Knob w/ 5046 Rose

Passage, Privacy & Dummy



044, 055, 056, 076
102, 112, 190, 260

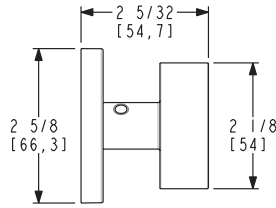
ITEM #	DESCRIPTION	
5041.xxx.FD	Full Dummy	\$244
5041.xxx.IDM	Half Dummy	\$122
5041.xxx.PASS	Passage: 2 3/8" backset	\$305
5041.xxx.PRIV	Privacy: 2 3/8" backset	

- Works with 1 3/8" and 1 3/4" thick doors
- PASS and PRIV functions ship with full lip strike and Pre-Drilled Door Adaptor
- QuickShip is only available with 2 3/8" backset latch. See 2 3/4" latch options on page 63
- Ships with a Full Lip Strike. See T-Strike options on page 63

PRE-CONFIGURED SETS

5055 Knob w/ 5046 Rose

Passage, Privacy & Dummy

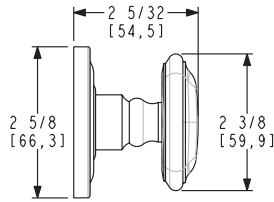


ITEM #	DESCRIPTION	044, 055, 056, 076 102, 112, 190, 260
5055.xxx.FD	Full Dummy	\$286
5055.xxx.IDM	Half Dummy	\$143
5055.xxx.PASS	Passage: 2 3/8" backset	\$358
5055.xxx.PRIV	Privacy: 2 3/8" backset	

- Works with 1 3/8" and 1 3/4" thick doors
- PASS and PRIV functions ship with full lip strike and Pre-Drilled Door Adaptor
- QuickShip is only available with 2 3/8" backset latch. See 2 3/4" latch options on page 63
- Ships with a Full Lip Strike. See T-Strike options on page 63

5057 Knob w/ 5048 Rose

Passage, Privacy & Dummy

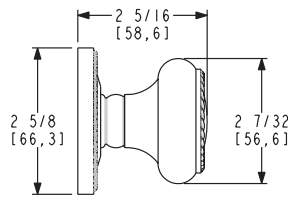


ITEM #	DESCRIPTION	003, 031, 033, 044 055, 056, 076, 102 112, 190, 260
5057.xxx.FD	Full Dummy	\$286
5057.xxx.IDM	Half Dummy	\$143
5057.xxx.PASS	Passage: 2 3/8" backset	\$358
5057.xxx.PRIV	Privacy: 2 3/8" backset	

- Works with 1 3/8" and 1 3/4" thick doors
- PASS and PRIV functions ship with full lip strike and Pre-Drilled Door Adaptor
- QuickShip is only available with 2 3/8" backset latch. See 2 3/4" latch options on page 63
- Ships with a Full Lip Strike. See T-Strike options on page 63

5064 Knob w/ 5004 Rose

Passage, Privacy & Dummy

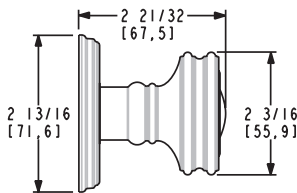


ITEM #	DESCRIPTION	003, 031, 033, 044 055, 056, 076, 102 112, 190, 260
5064.xxx.FD	Full Dummy	\$286
5064.xxx.IDM	Half Dummy	\$143
5064.xxx.PASS	Passage: 2 3/8" backset	\$358
5064.xxx.PRIV	Privacy: 2 3/8" backset	

- Works with 1 3/8" and 1 3/4" thick doors
- PASS and PRIV functions ship with full lip strike and Pre-Drilled Door Adaptor
- QuickShip is only available with 2 3/8" backset latch. See 2 3/4" latch options on page 63
- Ships with a Full Lip Strike. See T-Strike options on page 63

5066 Knob w/ 5078 Rose

Passage, Privacy & Dummy

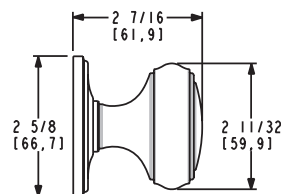


ITEM #	DESCRIPTION	003, 031, 033, 044 055, 056, 076, 102 112, 190, 260
5066.xxx.FD	Full Dummy	\$286
5066.xxx.IDM	Half Dummy	\$143
5066.xxx.PASS	Passage: 2 3/8" backset	\$358
5066.xxx.PRIV	Privacy: 2 3/8" backset	

- Works with 1 3/8" and 1 3/4" thick doors
- PASS and PRIV functions ship with full lip strike and Pre-Drilled Door Adaptor
- QuickShip is only available with 2 3/8" backset latch. See 2 3/4" latch options on page 63
- Ships with a Full Lip Strike. See T-Strike options on page 63

5068 Knob w/ 5070 Rose

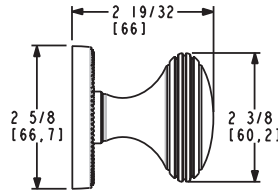
Passage, Privacy & Dummy



ITEM #	DESCRIPTION	003, 031, 033, 044 055, 056, 076, 102 112, 190, 260
5068.xxx.FD	Full Dummy	\$286
5068.xxx.IDM	Half Dummy	\$143
5068.xxx.PASS	Passage: 2 3/8" backset	\$358
5068.xxx.PRIV	Privacy: 2 3/8" backset	

- Works with 1 3/8" and 1 3/4" thick doors
- PASS and PRIV functions ship with full lip strike and Pre-Drilled Door Adaptor
- QuickShip is only available with 2 3/8" backset latch. See 2 3/4" latch options on page 63
- Ships with a Full Lip Strike. See T-Strike options on page 63

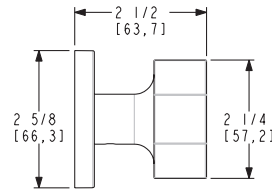
5069 Knob w/ 5076 Rose
Passage, Privacy & Dummy



ITEM #	DESCRIPTION	003, 031, 033, 044 055, 056, 076, 102 112, 190, 260
5069.xxx.FD	Full Dummy	\$286
5069.xxx.IDM	Half Dummy	\$143
5069.xxx.PASS	Passage: 2 3/8" backset	\$358
5069.xxx.PRIV	Privacy: 2 3/8" backset	

- Works with 1 3/8" and 1 3/4" thick doors
- PASS and PRIV functions ship with full lip strike and Pre-Drilled Door Adaptor
- QuickShip is only available with 2 3/8" backset latch. See 2 3/4" latch options on page 63
- Ships with a Full Lip Strike. See T-Strike options on page 63

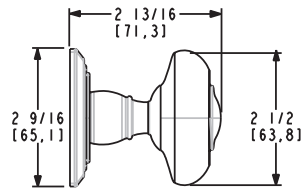
5073 Knob w/ 5046 Rose
Passage, Privacy & Dummy



ITEM #	DESCRIPTION	044, 055, 056, 076 102, 112, 190, 260
5073.xxx.FD	Full Dummy	\$286
5073.xxx.IDM	Half Dummy	\$143
5073.xxx.PASS	Passage: 2 3/8" backset	\$358
5073.xxx.PRIV	Privacy: 2 3/8" backset	

- Works with 1 3/8" and 1 3/4" thick doors
- PASS and PRIV functions ship with full lip strike and Pre-Drilled Door Adaptor
- QuickShip is only available with 2 3/8" backset latch. See 2 3/4" latch options on page 63
- Ships with a Full Lip Strike. See T-Strike options on page 63

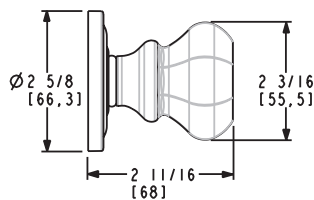
5077 Knob w/ R027 Rose
Passage, Privacy & Dummy



ITEM #	DESCRIPTION	003, 031, 033, 044 055, 056, 076, 102 112, 190, 260
5077.xxx.FD	Full Dummy	\$244
5077.xxx.IDM	Half Dummy	\$122
5077.xxx.PASS	Passage: 2 3/8" backset	\$305
5077.xxx.PRIV	Privacy: 2 3/8" backset	

- Works with 1 3/8" and 1 3/4" thick doors
- PASS and PRIV functions ship with full lip strike and Pre-Drilled Door Adaptor
- QuickShip is only available with 2 3/8" backset latch. See 2 3/4" latch options on page 63
- Ships with a Full Lip Strike. See T-Strike options on page 63

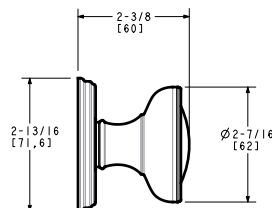
5080 Fillmore Knob w/ 5048 Rose
Passage, Privacy & Dummy



ITEM #	DESCRIPTION	030, 044, 055, 102 112, 150, 190, 260
5080.xxx.FD	Full Dummy	\$276
5080.xxx.IDM	Half Dummy	\$138
5080.xxx.PASS	Passage: 2 3/8" backset	\$345
5080.xxx.PRIV	Privacy: 2 3/8" backset	

- Works with 1 3/8" and 1 3/4" thick doors
- PASS and PRIV functions ship with full lip strike and Pre-Drilled Door Adaptor
- QuickShip is only available with 2 3/8" backset latch. See 2 3/4" latch options on page 63
- Ships with a Full Lip Strike. See T-Strike options on page 63

K012 Knob w/ 5078 Rose
Passage, Privacy & Dummy

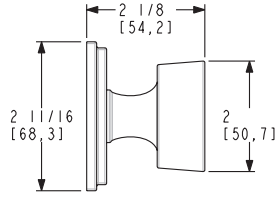


ITEM #	DESCRIPTION	003, 031, 033 044, 055, 056, 076 102, 112, 190, 260
K012.xxx.FD	Full Dummy	\$312
K012.xxx.IDM	Half Dummy	\$156
K012.xxx.PASS	Passage: 2 3/8" backset	\$390
K012.xxx.PRIV	Privacy: 2 3/8" backset	

- Works with 1 3/8" and 1 3/4" thick doors
- PASS and PRIV functions ship with full lip strike and Pre-Drilled Door Adaptor
- QuickShip is only available with 2 3/8" backset latch. See 2 3/4" latch options on page 63
- Ships with a Full Lip Strike. See T-Strike options on page 63

K007 Hollywood Hills Knob w/ R050 Rose

Passage, Privacy & Dummy



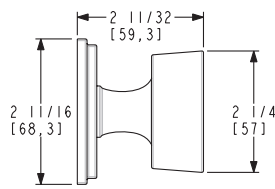
003, 031, 033, 044
055, 056, 076, 102
112, 190, 260

ITEM #	DESCRIPTION	
K007.xxx.FD	Full Dummy	\$276
K007.xxx.IDM	Half Dummy	\$138
K007.xxx.PASS	Passage: 2 3/8" backset	\$345
K007.xxx.PRIV	Privacy: 2 3/8" backset	

- Works with 1 3/8" and 1 3/4" thick doors
- PASS and PRIV functions ship with full lip strike and Pre-Drilled Door Adaptor
- QuickShip is only available with 2 3/8" backset latch. See 2 3/4" latch options on page 63
- Ships with a Full Lip Strike. See T-Strike options on page 63

K008 Hollywood Hills Knob w/ R050 Rose

Passage, Privacy & Dummy



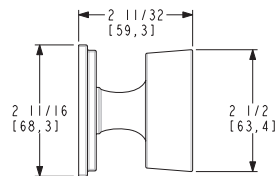
003, 031, 033, 044
055, 056, 076, 102
112, 190, 260

ITEM #	DESCRIPTION	
K008.xxx.FD	Full Dummy	\$286
K008.xxx.IDM	Half Dummy	\$143
K008.xxx.PASS	Passage: 2 3/8" backset	\$358
K008.xxx.PRIV	Privacy: 2 3/8" backset	

- Works with 1 3/8" and 1 3/4" thick doors
- PASS and PRIV functions ship with full lip strike and Pre-Drilled Door Adaptor
- QuickShip is only available with 2 3/8" backset latch. See 2 3/4" latch options on page 63
- Ships with a Full Lip Strike. See T-Strike options on page 63

K009 Hollywood Hills Knob w/ R050 Rose

Passage, Privacy & Dummy



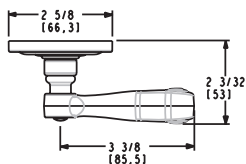
003, 031, 033, 044
055, 056, 076, 102
112, 190, 260

ITEM #	DESCRIPTION	
K009.xxx.FD	Full Dummy	\$312
K009.xxx.IDM	Half Dummy	\$156
K009.xxx.PASS	Passage: 2 3/8" backset	\$390
K009.xxx.PRIV	Privacy: 2 3/8" backset	

- Works with 1 3/8" and 1 3/4" thick doors
- PASS and PRIV functions ship with full lip strike and Pre-Drilled Door Adaptor
- QuickShip is only available with 2 3/8" backset latch. See 2 3/4" latch options on page 63
- Ships with a Full Lip Strike. See T-Strike options on page 63

5103 Lever w/ 5048 Rose

Passage, Privacy & Dummy

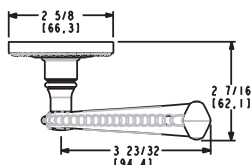
003, 031, 033, 044
055, 056, 076, 102
112, 190, 260

ITEM #	DESCRIPTION	
5103.xxx.FD	Full Dummy	\$286
5103.xxx.RDM	RIGHT Hand Half Dummy	\$143
5103.xxx.LDM	LEFT Hand Half Dummy	\$143
5103.xxx.PASS	Passage: 2 3/8" backset	\$358
5103.xxx.PRIV	Privacy: 2 3/8" backset	\$358

- Works with 1 3/8" and 1 3/4" thick doors
- PASS and PRIV functions ship with full lip strike and Pre-Drilled Door Adaptor
- QuickShip is only available with 2 3/8" backset latch. See 2 3/4" latch options on page 63
- Ships with a Full Lip Strike. See T-Strike options on page 63

5104 Lever w/ 5004 Rose

Passage, Privacy & Dummy

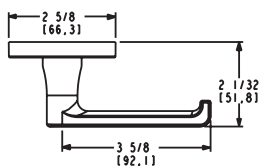
003, 031, 033, 044
055, 056, 076, 102
112, 190, 260

ITEM #	DESCRIPTION	
5104.xxx.FD	Full Dummy	\$286
5104.xxx.RDM	RIGHT Hand Half Dummy	\$143
5104.xxx.LDM	LEFT Hand Half Dummy	\$143
5104.xxx.PASS	Passage: 2 3/8" backset	\$358
5104.xxx.PRIV	Privacy: 2 3/8" backset	\$358

- Works with 1 3/8" and 1 3/4" thick doors
- PASS and PRIV functions ship with full lip strike and Pre-Drilled Door Adaptor
- QuickShip is only available with 2 3/8" backset latch. See 2 3/4" latch options on page 63
- Ships with a Full Lip Strike. See T-Strike options on page 63

5105 Lever w/ 5046 Rose

Passage, Privacy & Dummy

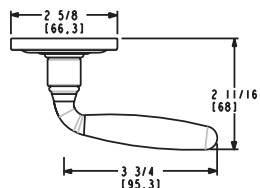
044, 055, 056, 076
102, 112, 190, 260

ITEM #	DESCRIPTION	
5105.xxx.FD	Full Dummy	\$286
5105.xxx.RDM	RIGHT Hand Half Dummy	\$143
5105.xxx.LDM	LEFT Hand Half Dummy	\$143
5105.xxx.PASS	Passage: 2 3/8" backset	\$358
5105.xxx.PRIV	Privacy: 2 3/8" backset	\$358

- Works with 1 3/8" and 1 3/4" thick doors
- PASS and PRIV functions ship with full lip strike and Pre-Drilled Door Adaptor
- QuickShip is only available with 2 3/8" backset latch. See 2 3/4" latch options on page 63
- Ships with a Full Lip Strike. See T-Strike options on page 63

5106 Lever w/ 5048 Rose

Passage, Privacy & Dummy

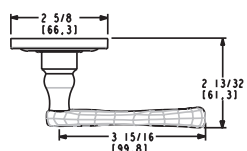
003, 031, 033, 044
055, 056, 076, 102
112, 190, 260

ITEM #	DESCRIPTION	
5106.xxx.FD	Full Dummy	\$286
5106.xxx.RDM	RIGHT Hand Half Dummy	\$143
5106.xxx.LDM	LEFT Hand Half Dummy	\$143
5106.xxx.PASS	Passage: 2 3/8" backset	\$358
5106.xxx.PRIV	Privacy: 2 3/8" backset	\$358

- Works with 1 3/8" and 1 3/4" thick doors
- PASS and PRIV functions ship with full lip strike and Pre-Drilled Door Adaptor
- QuickShip is only available with 2 3/8" backset latch. See 2 3/4" latch options on page 63
- Ships with a Full Lip Strike. See T-Strike options on page 63

5108 Lever w/ 5048 Rose

Passage, Privacy & Dummy

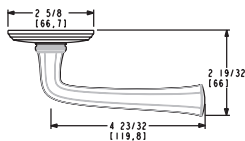
003, 031, 033, 044
055, 056, 076, 102
112, 190, 260

ITEM #	DESCRIPTION	
5108.xxx.FD	Full Dummy	\$286
5108.xxx.RDM	RIGHT Hand Half Dummy	\$143
5108.xxx.LDM	LEFT Hand Half Dummy	\$143
5108.xxx.PASS	Passage: 2 3/8" backset	\$358
5108.xxx.PRIV	Privacy: 2 3/8" backset	\$358

- Works with 1 3/8" and 1 3/4" thick doors
- PASS and PRIV functions ship with full lip strike and Pre-Drilled Door Adaptor
- QuickShip is only available with 2 3/8" backset latch. See 2 3/4" latch options on page 63
- Ships with a Full Lip Strike. See T-Strike options on page 63

5112 Lever w/ 5075 Rose

Passage, Privacy & Dummy

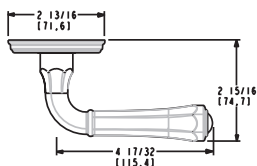
003, 031, 033, 044
055, 056, 076, 102
112, 190, 260

ITEM #	DESCRIPTION	
5112.xxx.FD	Full Dummy	\$286
5112.xxx.RDM	RIGHT Hand Half Dummy	\$143
5112.xxx.LDM	LEFT Hand Half Dummy	\$143
5112.xxx.PASS	Passage: 2 3/8" backset	\$358
5112.xxx.PRIV	Privacy: 2 3/8" backset	\$358

- Works with 1 3/8" and 1 3/4" thick doors
- PASS and PRIV functions ship with full lip strike and Pre-Drilled Door Adaptor
- QuickShip is only available with 2 3/8" backset latch. See 2 3/4" latch options on page 63
- Ships with a Full Lip Strike. See T-Strike options on page 63

5113 Lever w/ 5078 Rose

Passage, Privacy & Dummy

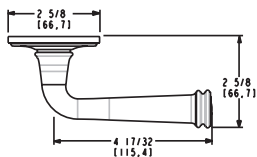
003, 031, 033, 044
055, 056, 076, 102
112, 190, 260

ITEM #	DESCRIPTION	
5113.xxx.FD	Full Dummy	\$286
5113.xxx.RDM	RIGHT Hand Half Dummy	\$143
5113.xxx.LDM	LEFT Hand Half Dummy	\$143
5113.xxx.PASS	Passage: 2 3/8" backset	\$358
5113.xxx.PRIV	Privacy: 2 3/8" backset	\$358

- Works with 1 3/8" and 1 3/4" thick doors
- PASS and PRIV functions ship with full lip strike and Pre-Drilled Door Adaptor
- QuickShip is only available with 2 3/8" backset latch. See 2 3/4" latch options on page 63
- Ships with a Full Lip Strike. See T-Strike options on page 63

5116 Lever w/ 5070 Rose

Passage, Privacy & Dummy

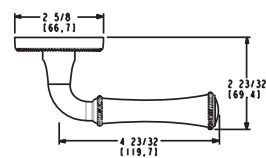
003, 031, 033, 044
055, 056, 076, 102
112, 190, 260

ITEM #	DESCRIPTION	
5116.xxx.FD	Full Dummy	\$286
5116.xxx.RDM	RIGHT Hand Half Dummy	\$143
5116.xxx.LDM	LEFT Hand Half Dummy	\$143
5116.xxx.PASS	Passage: 2 3/8" backset	\$358
5116.xxx.PRIV	Privacy: 2 3/8" backset	\$358

- Works with 1 3/8" and 1 3/4" thick doors
- PASS and PRIV functions ship with full lip strike and Pre-Drilled Door Adaptor
- QuickShip is only available with 2 3/8" backset latch. See 2 3/4" latch options on page 63
- Ships with a Full Lip Strike. See T-Strike options on page 63

5118 Lever w/ 5076 Rose

Passage, Privacy & Dummy

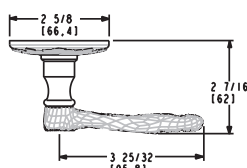
003, 031, 033, 044
055, 056, 076, 102
112, 190, 260

ITEM #	DESCRIPTION	
5118.xxx.FD	Full Dummy	\$286
5118.xxx.RDM	RIGHT Hand Half Dummy	\$143
5118.xxx.LDM	LEFT Hand Half Dummy	\$143
5118.xxx.PASS	Passage: 2 3/8" backset	\$358
5118.xxx.PRIV	Privacy: 2 3/8" backset	\$358

- Works with 1 3/8" and 1 3/4" thick doors
- PASS and PRIV functions ship with full lip strike and Pre-Drilled Door Adaptor
- QuickShip is only available with 2 3/8" backset latch. See 2 3/4" latch options on page 63
- Ships with a Full Lip Strike. See T-Strike options on page 63

5121 Lever w/ R012 Rose

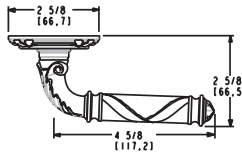
Passage, Privacy & Dummy

003, 031, 033, 044
055, 056, 076, 102
112, 190, 260

ITEM #	DESCRIPTION	
5121.xxx.FD	Full Dummy	\$286
5121.xxx.RDM	RIGHT Hand Half Dummy	\$144
5121.xxx.LDM	LEFT Hand Half Dummy	\$144
5121.xxx.PASS	Passage: 2 3/8" backset	\$359
5121.xxx.PRIV	Privacy: 2 3/8" backset	\$359

- Works with 1 3/8" and 1 3/4" thick doors
- PASS and PRIV functions ship with full lip strike and Pre-Drilled Door Adaptor
- QuickShip is only available with 2 3/8" backset latch. See 2 3/4" latch options on page 63
- Ships with a Full Lip Strike. See T-Strike options on page 63

5122 Lever w/ 5021 Rose
Passage, Privacy & Dummy

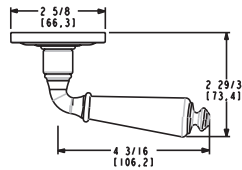


003, 031, 033, 044
055, 056, 076, 102
112, 190, 260

ITEM #	DESCRIPTION	
5122.xxx.FD	Full Dummy	\$286
5122.xxx.RDM	RIGHT Hand Half Dummy	\$143
5122.xxx.LDM	LEFT Hand Half Dummy	\$143
5122.xxx.PASS	Passage: 2 3/8" backset	\$358
5122.xxx.PRIV	Privacy: 2 3/8" backset	\$358

- Works with 1 3/8" and 1 3/4" thick doors
- PASS and PRIV functions ship with full lip strike and Pre-Drilled Door Adaptor
- QuickShip is only available with 2 3/8" backset latch. See 2 3/4" latch options on page 63
- Ships with a Full Lip Strike. See T-Strike options on page 63

5125 Lever w/ 5048 Rose
Passage, Privacy & Dummy

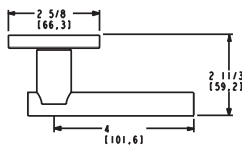


003, 031, 033, 044
055, 056, 076, 102
112, 190, 260

ITEM #	DESCRIPTION	
5125.xxx.FD	Full Dummy	\$286
5125.xxx.RDM	RIGHT Hand Half Dummy	\$143
5125.xxx.LDM	LEFT Hand Half Dummy	\$143
5125.xxx.PASS	Passage: 2 3/8" backset	\$358
5125.xxx.PRIV	Privacy: 2 3/8" backset	\$358

- Works with 1 3/8" and 1 3/4" thick doors
- PASS and PRIV functions ship with full lip strike and Pre-Drilled Door Adaptor
- QuickShip is only available with 2 3/8" backset latch. See 2 3/4" latch options on page 63
- Ships with a Full Lip Strike. See T-Strike options on page 63

5137 Lever w/ 5046 Rose
Passage, Privacy & Dummy

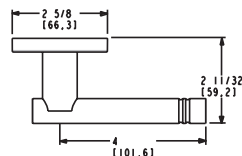


044, 055, 056, 076
102, 112, 190, 260

ITEM #	DESCRIPTION	
5137.xxx.FD	Full Dummy	\$286
5137.xxx.RDM	RIGHT Hand Half Dummy	\$143
5137.xxx.LDM	LEFT Hand Half Dummy	\$143
5137.xxx.PASS	Passage: 2 3/8" backset	\$358
5137.xxx.PRIV	Privacy: 2 3/8" backset	\$358

- Works with 1 3/8" and 1 3/4" thick doors
- PASS and PRIV functions ship with full lip strike and Pre-Drilled Door Adaptor
- QuickShip is only available with 2 3/8" backset latch. See 2 3/4" latch options on page 63
- Ships with a Full Lip Strike. See T-Strike options on page 63

5138 Lever w/ 5047 Rose
Passage, Privacy & Dummy

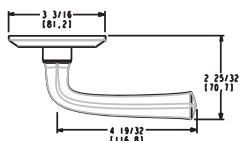


044, 055, 056, 076
102, 112, 190, 260

ITEM #	DESCRIPTION	
5138.xxx.FD	Full Dummy	\$286
5138.xxx.RDM	RIGHT Hand Half Dummy	\$143
5138.xxx.LDM	LEFT Hand Half Dummy	\$143
5138.xxx.PASS	Passage: 2 3/8" backset	\$358
5138.xxx.PRIV	Privacy: 2 3/8" backset	\$358

- Works with 1 3/8" and 1 3/4" thick doors
- PASS and PRIV functions ship with full lip strike and Pre-Drilled Door Adaptor
- QuickShip is only available with 2 3/8" backset latch. See 2 3/4" latch options on page 63
- Ships with a Full Lip Strike. See T-Strike options on page 63

5141 Lever w/ R033 Rose
Passage, Privacy & Dummy



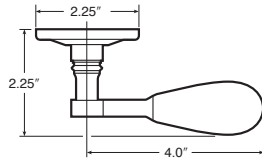
003, 031, 033, 044
055, 056, 076, 102
112, 190, 260

ITEM #	DESCRIPTION	
5141.xxx.FD	Full Dummy	\$286
5141.xxx.RDM	RIGHT Hand Half Dummy	\$143
5141.xxx.LDM	LEFT Hand Half Dummy	\$143
5141.xxx.PASS	Passage: 2 3/8" backset	\$358
5141.xxx.PRIV	Privacy: 2 3/8" backset	\$358

- Works with 1 3/8" and 1 3/4" thick doors
- PASS and PRIV functions ship with full lip strike and Pre-Drilled Door Adaptor
- QuickShip is only available with 2 3/8" backset latch. See 2 3/4" latch options on page 63
- Ships with a Full Lip Strike. See T-Strike options on page 63

5152 Lever w/ 5048 Rose

Passage, Privacy & Dummy

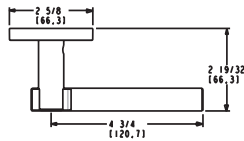
003, 031, 033
044, 055, 056, 076
102, 112, 190, 260

ITEM #	DESCRIPTION	
5152.xxx.FD	Full Dummy	\$286
5152.xxx.RDM	RIGHT Hand Half Dummy	\$143
5152.xxx.LDM	LEFT Hand Half Dummy	
5152.xxx.PASS	Passage: 2 3/8" backset	\$358
5152.xxx.PRIV	Privacy: 2 3/8" backset	

- Works with 1 3/8" and 1 3/4" thick doors
- PASS and PRIV functions ship with full lip strike and Pre-Drilled Door Adaptor
- QuickShip is only available with 2 3/8" backset latch. See 2 3/4" latch options on page 63
- Ships with a Full Lip Strike. See T-Strike options on page 63

5161 Lever w/ 5046 Rose

Passage, Privacy & Dummy

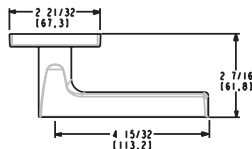
044, 055, 056, 076
102, 112, 190, 260

ITEM #	DESCRIPTION	
5161.xxx.FD	Full Dummy	\$286
5161.xxx.RDM	RIGHT Hand Half Dummy	\$143
5161.xxx.LDM	LEFT Hand Half Dummy	
5161.xxx.PASS	Passage: 2 3/8" backset	\$358
5161.xxx.PRIV	Privacy: 2 3/8" backset	

- Works with 1 3/8" and 1 3/4" thick doors
- PASS and PRIV functions ship with full lip strike and Pre-Drilled Door Adaptor
- QuickShip is only available with 2 3/8" backset latch. See 2 3/4" latch options on page 63
- Ships with a Full Lip Strike. See T-Strike options on page 63

5162 Lever w/ R017 Rose

Passage, Privacy & Dummy

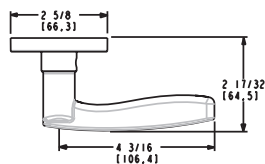
044, 055, 056, 076
102, 112, 190, 260

ITEM #	DESCRIPTION	
5162.xxx.FD	Full Dummy	\$286
5162.xxx.RDM	RIGHT Hand Half Dummy	\$143
5162.xxx.LDM	LEFT Hand Half Dummy	
5162.xxx.PASS	Passage: 2 3/8" backset	\$358
5162.xxx.PRIV	Privacy: 2 3/8" backset	

- Works with 1 3/8" and 1 3/4" thick doors
- PASS and PRIV functions ship with full lip strike and Pre-Drilled Door Adaptor
- QuickShip is only available with 2 3/8" backset latch. See 2 3/4" latch options on page 63
- Ships with a Full Lip Strike. See T-Strike options on page 63

5164 Lever w/ 5046 Rose

Passage, Privacy & Dummy

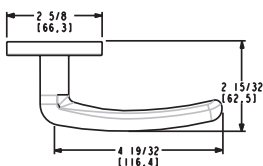
044, 055, 056, 076
102, 112, 190, 260

ITEM #	DESCRIPTION	
5164.xxx.FD	Full Dummy	\$286
5164.xxx.RDM	RIGHT Hand Half Dummy	\$143
5164.xxx.LDM	LEFT Hand Half Dummy	
5164.xxx.PASS	Passage: 2 3/8" backset	\$358
5164.xxx.PRIV	Privacy: 2 3/8" backset	

- Works with 1 3/8" and 1 3/4" thick doors
- PASS and PRIV functions ship with full lip strike and Pre-Drilled Door Adaptor
- QuickShip is only available with 2 3/8" backset latch. See 2 3/4" latch options on page 63
- Ships with a Full Lip Strike. See T-Strike options on page 63

5165 Lever w/ 5046 Rose

Passage, Privacy & Dummy

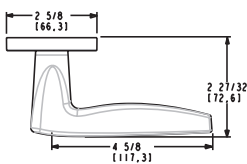


ITEM #	DESCRIPTION	044, 055, 056, 076 102, 112, 190, 260
5165.xxx.FD	Full Dummy	\$286
5165.xxx.RDM	RIGHT Hand Half Dummy	\$143
5165.xxx.LDM	LEFT Hand Half Dummy	\$143
5165.xxx.PASS	Passage: 2 3/8" backset	\$358
5165.xxx.PRIV	Privacy: 2 3/8" backset	\$358

- Works with 1 3/8" and 1 3/4" thick doors
- PASS and PRIV functions ship with full lip strike and Pre-Drilled Door Adaptor
- QuickShip is only available with 2 3/8" backset latch. See 2 3/4" latch options on page 63
- Ships with a Full Lip Strike. See T-Strike options on page 63

5166 Lever w/ 5046 Rose

Passage, Privacy & Dummy

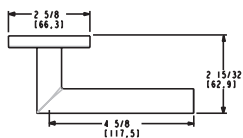


ITEM #	DESCRIPTION	044, 055, 056, 076 102, 112, 190, 260
5166.xxx.FD	Full Dummy	\$286
5166.xxx.RDM	RIGHT Hand Half Dummy	\$143
5166.xxx.LDM	LEFT Hand Half Dummy	\$143
5166.xxx.PASS	Passage: 2 3/8" backset	\$358
5166.xxx.PRIV	Privacy: 2 3/8" backset	\$358

- Works with 1 3/8" and 1 3/4" thick doors
- PASS and PRIV functions ship with full lip strike and Pre-Drilled Door Adaptor
- QuickShip is only available with 2 3/8" backset latch. See 2 3/4" latch options on page 63
- Ships with a Full Lip Strike. See T-Strike options on page 63

5173 Lever w/ 5046 Rose

Passage, Privacy & Dummy

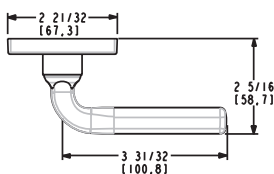


ITEM #	DESCRIPTION	044, 055, 056, 076 102, 112, 190, 260
5173.xxx.FD	Full Dummy	\$286
5173.xxx.RDM	RIGHT Hand Half Dummy	\$143
5173.xxx.LDM	LEFT Hand Half Dummy	\$143
5173.xxx.PASS	Passage: 2 3/8" backset	\$358
5173.xxx.PRIV	Privacy: 2 3/8" backset	\$358

- Works with 1 3/8" and 1 3/4" thick doors
- PASS and PRIV functions ship with full lip strike and Pre-Drilled Door Adaptor
- QuickShip is only available with 2 3/8" backset latch. See 2 3/4" latch options on page 63
- Ships with a Full Lip Strike. See T-Strike options on page 63

5190 Lever w/ R017 Rose

Passage, Privacy & Dummy



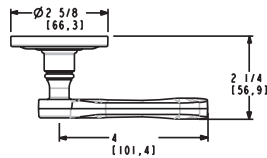
ITEM #	DESCRIPTION	003, 031, 033, 044 055, 056, 076, 102 112, 190, 260
5190.xxx.FD	Full Dummy	\$286
5190.xxx.RDM	RIGHT Hand Half Dummy	\$143
5190.xxx.LDM	LEFT Hand Half Dummy	\$143
5190.xxx.PASS	Passage: 2 3/8" backset	\$358
5190.xxx.PRIV	Privacy: 2 3/8" backset	\$358

- Works with 1 3/8" and 1 3/4" thick doors
- PASS and PRIV functions ship with full lip strike and Pre-Drilled Door Adaptor
- QuickShip is only available with 2 3/8" backset latch. See 2 3/4" latch options on page 63
- Ships with a Full Lip Strike. See T-Strike options on page 63

PRE-CONFIGURED SETS

5445V Classic Lever w/ 5048 Rose

Passage, Privacy & Dummy

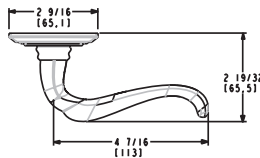
003, 031, 033, 044
055, 056, 076, 102
112, 190, 260

ITEM #	DESCRIPTION	
5445V.xxx.FD	Full Dummy	\$244
5445V.xxx.RDM	RIGHT Hand Half Dummy	\$122
5445V.xxx.LDM	LEFT Hand Half Dummy	\$122
5445V.xxx.PASS	Passage: 2 3/8" backset	\$305
5445V.xxx.PRIV	Privacy: 2 3/8" backset	\$305

- Works with 1 3/8" and 1 3/4" thick doors
- PASS and PRIV functions ship with full lip strike and Pre-Drilled Door Adaptor
- QuickShip is only available with 2 3/8" backset latch. See 2 3/4" latch options on page 63
- Ships with a Full Lip Strike. See T-Strike options on page 63

5447V Bethpage Lever w/ R027 Rose

Passage, Privacy & Dummy

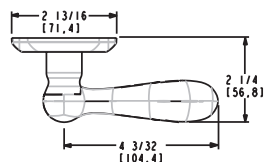
003, 031, 033, 044
055, 056, 076, 102
112, 190, 260

ITEM #	DESCRIPTION	
5447V.xxx.FD	Full Dummy	\$244
5447V.xxx.RDM	RIGHT Hand Half Dummy	\$122
5447V.xxx.LDM	LEFT Hand Half Dummy	\$122
5447V.xxx.PASS	Passage: 2 3/8" backset	\$305
5447V.xxx.PRIV	Privacy: 2 3/8" backset	\$305

- Works with 1 3/8" and 1 3/4" thick doors
- PASS and PRIV functions ship with full lip strike and Pre-Drilled Door Adaptor
- QuickShip is only available with 2 3/8" backset latch. See 2 3/4" latch options on page 63
- Ships with a Full Lip Strike. See T-Strike options on page 63

5425V Beavertail Lever w/ R030 Rose

Passage, Privacy & Dummy



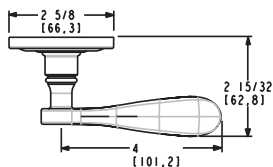
102, 112, 190, 402

ITEM #	DESCRIPTION	
5425V.xxx.FD	Full Dummy	\$244
5425V.xxx.RDM	RIGHT Hand Half Dummy	\$122
5425V.xxx.LDM	LEFT Hand Half Dummy	\$122
5425V.xxx.PASS	Passage: 2 3/8" backset	\$305
5425V.xxx.PRIV	Privacy: 2 3/8" backset	\$305

- Works with 1 3/8" and 1 3/4" thick doors
- PASS and PRIV functions ship with full lip strike and Pre-Drilled Door Adaptor
- QuickShip is only available with 2 3/8" backset latch. See 2 3/4" latch options on page 63
- Ships with a Full Lip Strike. See T-Strike options on page 63

5455V Wave Lever w/ 5048 Rose

Passage, Privacy & Dummy

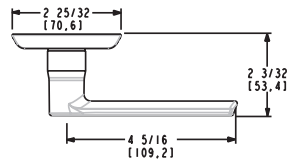
003, 031, 033, 044
055, 056, 076, 102
112, 190, 260

ITEM #	DESCRIPTION	
5455V.xxx.FD	Full Dummy	\$244
5455V.xxx.RDM	RIGHT Hand Half Dummy	\$122
5455V.xxx.LDM	LEFT Hand Half Dummy	\$122
5455V.xxx.PASS	Passage: 2 3/8" backset	\$305
5455V.xxx.PRIV	Privacy: 2 3/8" backset	\$305

- Works with 1 3/8" and 1 3/4" thick doors
- PASS and PRIV functions ship with full lip strike and Pre-Drilled Door Adaptor
- QuickShip is only available with 2 3/8" backset latch. See 2 3/4" latch options on page 63
- Ships with a Full Lip Strike. See T-Strike options on page 63

5485V Soho® Lever w/ R026 Rose

Passage, Privacy & Dummy

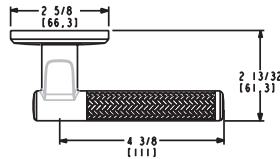


ITEM #	DESCRIPTION	044, 055, 056, 076 102, 112, 190, 260
5485V.xxx.FD	Full Dummy	\$244
5485V.xxx.RDM	RIGHT Hand Half Dummy	\$122
5485V.xxx.LDM	LEFT Hand Half Dummy	\$122
5485V.xxx.PASS	Passage: 2 3/8" backset	\$305
5485V.xxx.PRIV	Privacy: 2 3/8" backset	\$305

- Works with 1 3/8" and 1 3/4" thick doors
- PASS and PRIV functions ship with full lip strike and Pre-Drilled Door Adaptor
- QuickShip is only available with 2 3/8" backset latch. See 2 3/4" latch options on page 63
- Ships with a Full Lip Strike. See T-Strike options on page 63

L015 Lever w/ R016 Rose

Passage, Privacy & Dummy

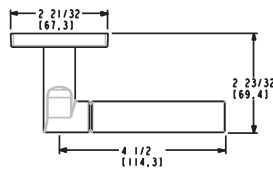


ITEM #	DESCRIPTION	044, 055, 056, 076 102, 112, 190, 260
L015.xxx.FD	Full Dummy	\$312
L015.xxx.RDM	RIGHT Hand Half Dummy	\$156
L015.xxx.LDM	LEFT Hand Half Dummy	\$156
L015.xxx.PASS	Passage: 2 3/8" backset	\$390
L015.xxx.PRIV	Privacy: 2 3/8" backset	\$390

- Works with 1 3/8" and 1 3/4" thick doors
- PASS and PRIV functions ship with full lip strike and Pre-Drilled Door Adaptor
- QuickShip is only available with 2 3/8" backset latch. See 2 3/4" latch options on page 63
- Ships with a Full Lip Strike. See T-Strike options on page 63

L021 Lever w/ R017 Rose

Passage, Privacy & Dummy

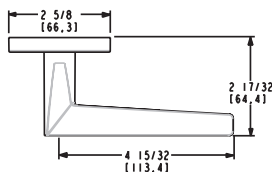


ITEM #	DESCRIPTION	044, 055, 056, 076 102, 112, 190, 260
L021.xxx.FD	Full Dummy	\$286
L021.xxx.RDM	RIGHT Hand Half Dummy	\$143
L021.xxx.LDM	LEFT Hand Half Dummy	\$143
L021.xxx.PASS	Passage: 2 3/8" backset	\$358
L021.xxx.PRIV	Privacy: 2 3/8" backset	\$358

- Works with 1 3/8" and 1 3/4" thick doors
- PASS and PRIV functions ship with full lip strike and Pre-Drilled Door Adaptor
- QuickShip is only available with 2 3/8" backset latch. See 2 3/4" latch options on page 63
- Ships with a Full Lip Strike. See T-Strike options on page 63

L022 Lever w/ R017 Rose

Passage, Privacy & Dummy

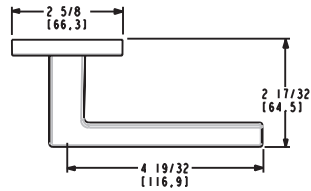


ITEM #	DESCRIPTION	044, 055, 056, 076 102, 112, 190, 260
L022.xxx.FD	Full Dummy	\$286
L022.xxx.RDM	RIGHT Hand Half Dummy	\$143
L022.xxx.LDM	LEFT Hand Half Dummy	\$143
L022.xxx.PASS	Passage: 2 3/8" backset	\$358
L022.xxx.PRIV	Privacy: 2 3/8" backset	\$358

- Works with 1 3/8" and 1 3/4" thick doors
- PASS and PRIV functions ship with full lip strike and Pre-Drilled Door Adaptor
- QuickShip is only available with 2 3/8" backset latch. See 2 3/4" latch options on page 63
- Ships with a Full Lip Strike. See T-Strike options on page 63

L023 Lever w/ R017 Rose

Passage, Privacy & Dummy

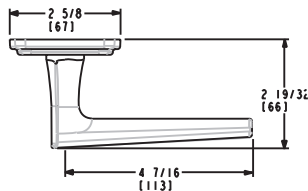


ITEM #	DESCRIPTION	044, 055, 056, 076 102, 112, 190, 260
L023.xxx.FD	Full Dummy	\$312
L023.xxx.RDM	RIGHT Hand Half Dummy	\$156
L023.xxx.LDM	LEFT Hand Half Dummy	
L023.xxx.PASS	Passage: 2 3/8" backset	\$390
L023.xxx.PRIV	Privacy: 2 3/8" backset	

- Works with 1 3/8" and 1 3/4" thick doors
- PASS and PRIV functions ship with full lip strike and Pre-Drilled Door Adaptor
- QuickShip is only available with 2 3/8" backset latch. See 2 3/4" latch options on page 63
- Ships with a Full Lip Strike. See T-Strike options on page 63

L024 Lever w/ R046 Rose

Passage, Privacy & Dummy

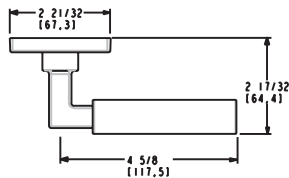


ITEM #	DESCRIPTION	003, 031, 033, 044 055, 056, 076, 102 112, 190, 260
L024.xxx.FD	Full Dummy	\$312
L024.xxx.RDM	RIGHT Hand Half Dummy	\$156
L024.xxx.LDM	LEFT Hand Half Dummy	
L024.xxx.PASS	Passage: 2 3/8" backset	\$390
L024.xxx.PRIV	Privacy: 2 3/8" backset	

- Works with 1 3/8" and 1 3/4" thick doors
- PASS and PRIV functions ship with full lip strike and Pre-Drilled Door Adaptor
- QuickShip is only available with 2 3/8" backset latch. See 2 3/4" latch options on page 63
- Ships with a Full Lip Strike. See T-Strike options on page 63

L029 Gramercy Lever w/ R017 Rose

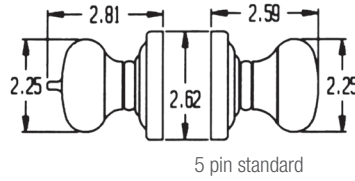
Passage, Privacy & Dummy



ITEM #	DESCRIPTION	003, 031, 033, 044 055, 056, 076, 102 112, 190, 260
L029.xxx.FD	Full Dummy	\$312
L029.xxx.RDM	RIGHT Hand Half Dummy	\$156
L029.xxx.LDM	LEFT Hand Half Dummy	
L029.xxx.PASS	Passage: 2 3/8" backset	\$390
L029.xxx.PRIV	Privacy: 2 3/8" backset	

- Works with 1 3/8" and 1 3/4" thick doors
- PASS and PRIV functions ship with full lip strike and Pre-Drilled Door Adaptor
- QuickShip is only available with 2 3/8" backset latch. See 2 3/4" latch options on page 63
- Ships with a Full Lip Strike. See T-Strike options on page 63

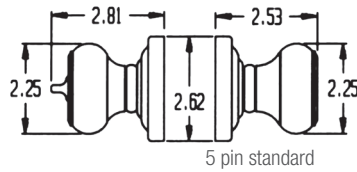
Classic Knob w/ Classic Rose



ITEM #	DESCRIPTION	WT.	003, 031, 033, 044 055, 056, 076, 102 112, 190, 260
5205.xxx.ENTR	Emergency Exit	3.1	\$330

Comes with Adjustable Backset.

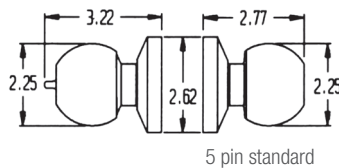
Colonial Knob w/ Classic Rose



ITEM #	DESCRIPTION	WT.	003, 031, 033, 044 055, 056, 076, 102 112, 190, 260
5210.xxx.ENTR	Emergency Exit	3.1	\$330

Comes with Adjustable Backset.

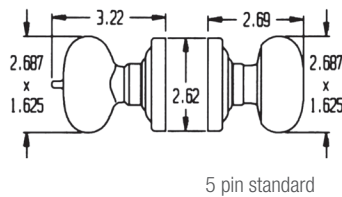
Contemporary Knob w/ Contemporary Rose



ITEM #	DESCRIPTION	WT.	003, 031, 033, 044 055, 056, 076, 102 112, 190, 260
5215.xxx.ENTR	Emergency Exit	3.4	\$330

Comes with Adjustable Backset.

Egg Knob w/ Classic Rose

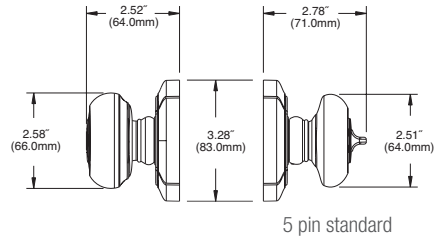


ITEM #	DESCRIPTION	WT.	003, 031, 033, 076 102, 112, 190, 260
5225.xxx.ENTR	Emergency Exit	3.6	\$330

Comes with Adjustable Backset.

TUBULAR KEYED ENTRY

Bethpage Knob w/ Bethpage Rose

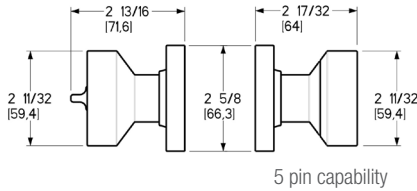


003, 031, 033, 044, 055
056, 076, 102, 112,
190, 260

ITEM #	DESCRIPTION	WT.	
5237.xxx.ENTR	Emergency Exit	3.6	\$330

Comes with Adjustable Backset.

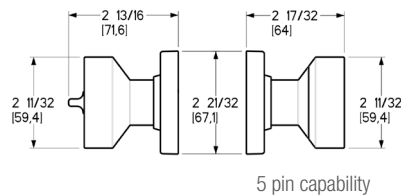
Contemporary Knob w/ Round Rose



ITEM #	DESCRIPTION	WT.	044, 055, 056, 076 102, 112, 190, 260
5230.xxx.ENTR	Emergency Exit	3.6	\$330

Comes with Adjustable Backset.

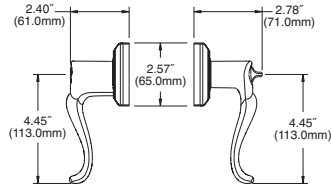
Contemporary Knob w/ Square Rose



ITEM #	DESCRIPTION	WT.	044, 055, 056, 076 102, 112, 190, 260
5250.xxx.ENTR	Emergency Exit	4.3	\$330

Comes with Adjustable Backset.

Bethpage Lever w/ Bethpage Rose

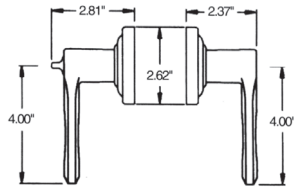


5 pin standard

ITEM #	DESCRIPTION	WT.	003, 031, 033, 044 055, 056, 076, 102 112, 190, 260
5237.xxx.RENT	RIGHT Hand Emergency Exit	3.9	\$330
5237.xxx.LENT	LEFT Hand Emergency Exit		

Comes with Adjustable Backset.

Classic Lever w/ Classic Rose

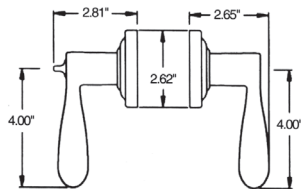


5 pin standard

ITEM #	DESCRIPTION	WT.	003, 031, 033, 044 055, 056, 076, 102 112, 190, 260
5245.xxx.RENT	RIGHT Hand Emergency Exit	2.2	\$330
5245.xxx.LENT	LEFT Hand Emergency Exit		

Comes with Adjustable Backset.

Wave Lever w/ Classic Rose

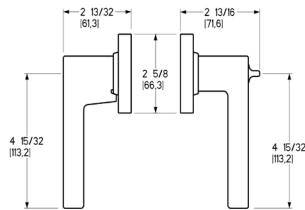


5 pin standard

ITEM #	DESCRIPTION	WT.	003, 031, 033, 044 055, 056, 076, 102 112, 190, 260
5255.xxx.RENT	RIGHT Hand Emergency Exit	2.8	\$330
5255.xxx.LENT	LEFT Hand Emergency Exit		

Comes with Adjustable Backset.

Square Lever w/ Round Rose

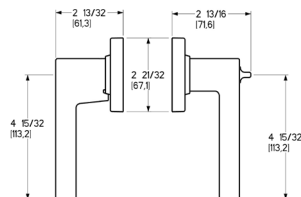


5 pin capability
6 pin capability

ITEM #	DESCRIPTION	WT.	044, 055, 056, 076 102, 112, 190, 260
5260.xxx.RENT	RIGHT Hand Emergency Exit	3.6	\$330
5260.xxx.LENT	LEFT Hand Emergency Exit		

Comes with Adjustable Backset.

Squre Lever w/ Square Rose



5 pin capability
6 pin capability

ITEM #	DESCRIPTION	WT.	044, 055, 056, 076 102, 112, 190, 260
5285.xxx.RENT	RIGHT Hand Emergency Exit	3.7	\$330
5285.xxx.LENT	LEFT Hand Emergency Exit		

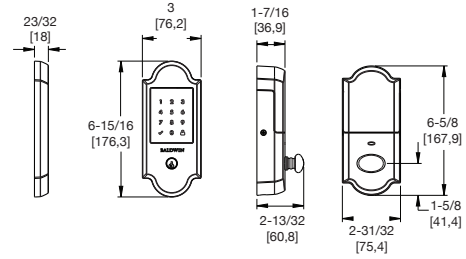
Comes with Adjustable Backset.

TOUCHSCREEN ENTRANCE SETS
DEADBOLT & HANDLESET

Boulder™ Touchscreen Deadbolt



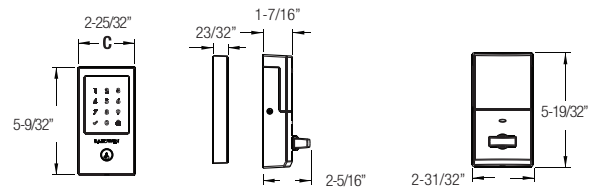
ITEM #	DESCRIPTION	WT.	003, 044, 056, 076 102, 112, 190, 402
8235.xxx	Touchscreen Deadbolt Standalone	4.6	\$540
8235.xxx.ZW	Touchscreen Deadbolt with Z-Wave	4.6	\$650



Minneapolis™ Touchscreen Deadbolt



ITEM #	DESCRIPTION	WT.	044, 055, 056, 076 102, 112, 190, 260
8225.xxx	Touchscreen Deadbolt Standalone	4.4	\$540
8225.xxx.ZW	Touchscreen Deadbolt with Z-Wave	4.4	\$650

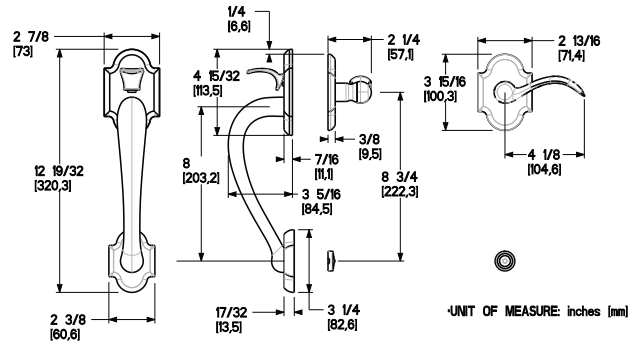


Boulder Sectional Handleset Kit

w/ 5452V Beavertail Lever



ITEM #	DESCRIPTION	WT.	003, 044, 056, 076, 102, 112, 190, 402
85353.xxx.ACRH	Sectional Entry Handleset Kit - LH Lever	4.2	\$445
85353.xxx.ACLH	Sectional Entry Handleset Kit - RH Lever	1.8	\$445

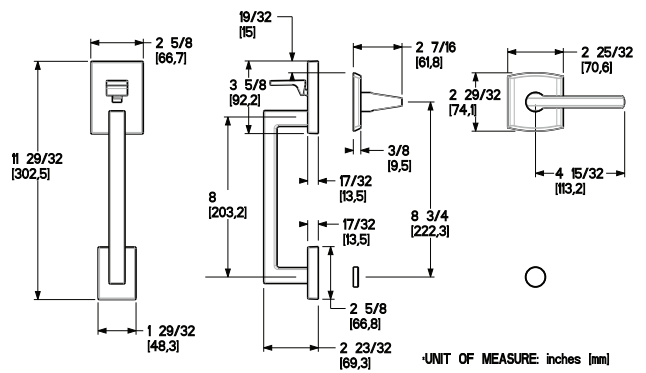


Minneapolis Sectional Handleset Kit

w/ 5162 Lever



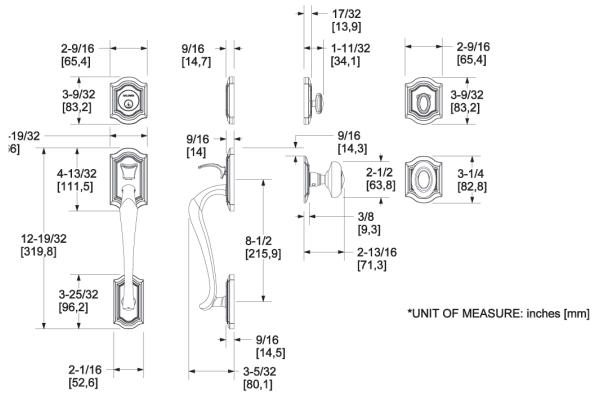
ITEM #	DESCRIPTION	WT.	044, 055, 056, 076, 102, 112, 190, 260
85390.xxx.ACRH	Sectional Entry Handleset Kit - RH Leve	6.5	\$445
85390.xxx.ACLH	Sectional Entry Handleset Kit - LH Lever	6.5	\$445



TUBULAR HANDLESETS

Bethpage® Sectional Handleset

w/ 5077 Bethpage Knob



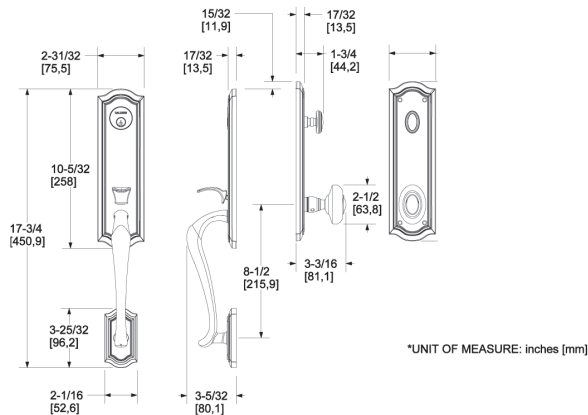
ITEM #	DESCRIPTION	WT.	003, 031, 033, 044 055, 056, 076, 102 112, 190, 260
85327.xxx.ENTR	Single cylinder handleset with interior knob	5.8	\$580



Comes with Adjustable Backset Latch

Bethpage® Emergency Egress Handleset

w/ 5077 Bethpage Knob



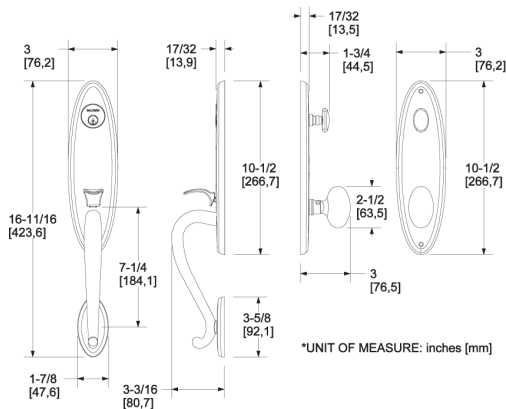
ITEM #	DESCRIPTION	WT.	003, 031, 033, 044 055, 056, 076, 102 112, 190, 260
85337.xxx.ENTR	Single cylinder handleset with interior knob, emergency egress	6.8	\$795



Comes with Adjustable Backset Latch

Blakely Emergency Egress Handleset

w/ 5025 Egg Knob



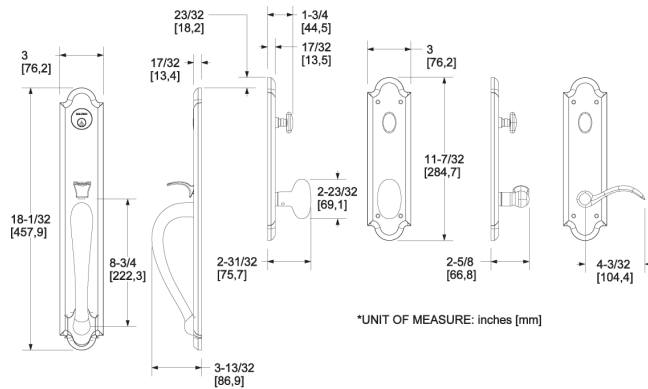
ITEM #	DESCRIPTION	WT.	003, 031, 033, 044 055, 056, 076, 102 112, 150, 190, 260
85360.xxx.ENTR	Single cylinder handleset with interior knob	6.8	\$795



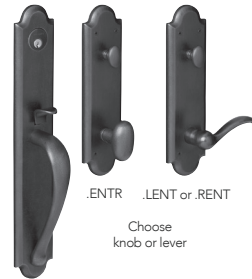
Comes with Adjustable Backset Latch

Boulder Full Escutcheon Handleset Emergency Egress

w/ 5024 Oval Knob or 5452V Beavertail Lever



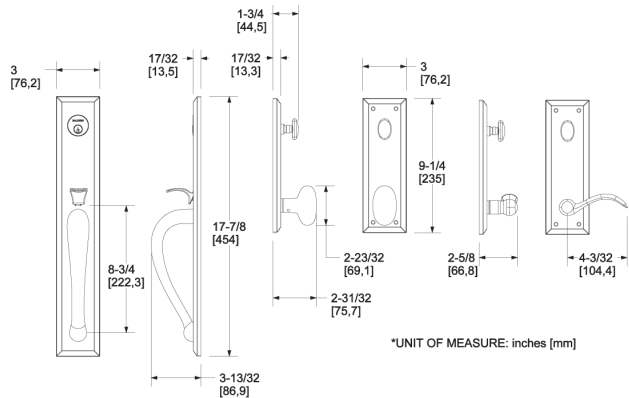
ITEM #	DESCRIPTION	WT.	102, 112, 190, 402
6402.xxx.ENTR	Single cylinder handleset with interior knob, emergency egress		
6402.xxx.RENT	Single cylinder handleset w/ lever, emergency egress – RH Entry	9.2	\$900
6402.xxx.LENT	Single cylinder handleset w/ lever, emergency egress – LH Entry		



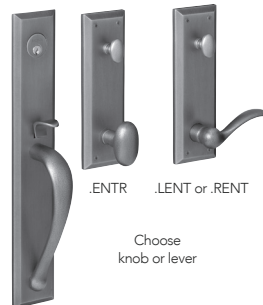
Comes with Adjustable Backset Latch

Cody Full Escutcheon Handleset Emergency Egress

w/ 5024 Oval Knob or 5452V Beavertail Lever



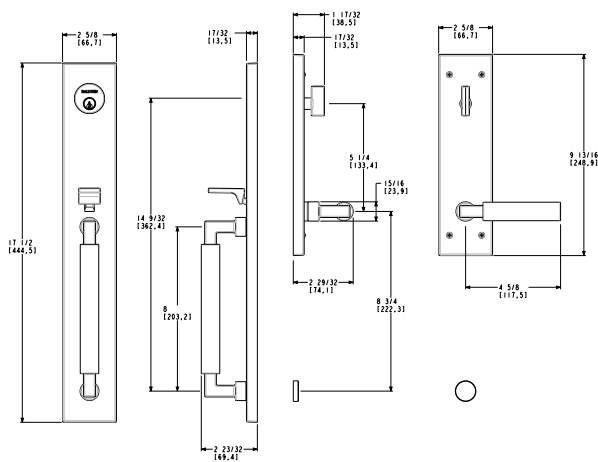
ITEM #	DESCRIPTION	WT.	102, 112, 190, 402
6403.xxx.ENTR	Single cylinder handleset with interior knob, emergency egress		
6403.xxx.RENT	Single cylinder handleset w/ lever, emergency egress – RH Entry	9.2	\$900
6403.xxx.LENT	Single cylinder handleset w/ lever, emergency egress – LH Entry		



Comes with Adjustable Backset Latch

Gramercy Emergency Egress Tubular Handleset

With L029 Lever



ITEM #	DESCRIPTION	WT.	044, 055, 056, 076 102, 112, 190, 260
85316.xxx.RENT	Single cylinder handleset w/lever, emergency egress-RH Entry	14.1	\$961
85316.xxx.LENT	Single cylinder handleset w/lever, emergency egress-LH Entry	14.1	\$961

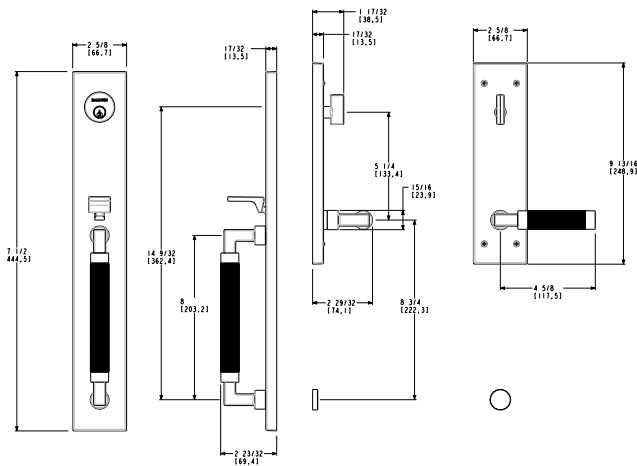


Comes with Adjustable Backset Latch

TUBULAR HANDLESETS

Gramercy Knurled Emergency Egress Tubular Handleset

With L030 Lever



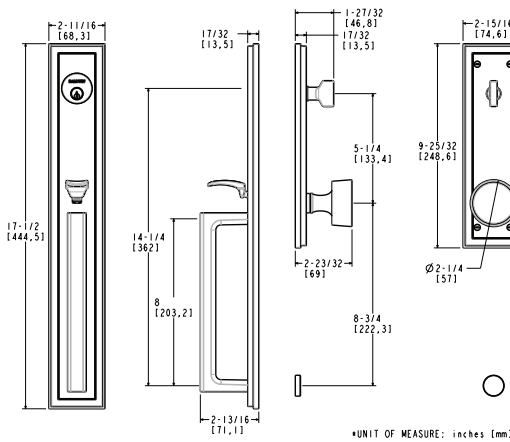
ITEM #	DESCRIPTION	WT.	044, 055, 056, 076, 102, 112, 190, 260
85317.xxx.RENT	Single cylinder handleset w/ lever, emergency egress – RH Entry	14.1	\$1,009
85317.xxx.LENT	Single cylinder handleset w/ lever, emergency egress – LH Entry	14.1	\$1,009



Comes with Adjustable Backset Latch

Hollywood Hills Full Escutcheon Handleset

Emergency Egress w/ K008 Knob



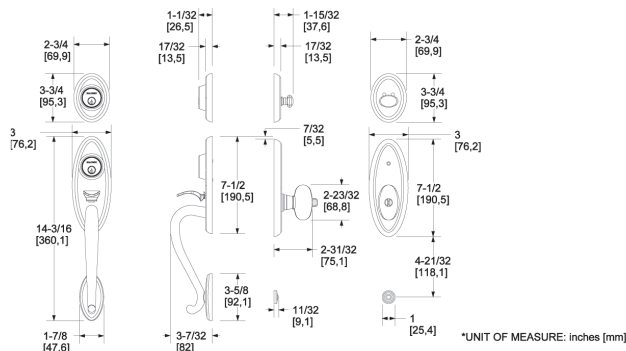
ITEM #	DESCRIPTION	WT.	003, 031, 033, 044, 055, 056, 076, 102, 112, 190, 260
85311...xxx.ENTR	Single cylinder handleset with knob	7.3	\$961



Comes with Adjustable Backset Latch

Landon® Two-Point Lock Handleset

w/ 5225 Egg Knob



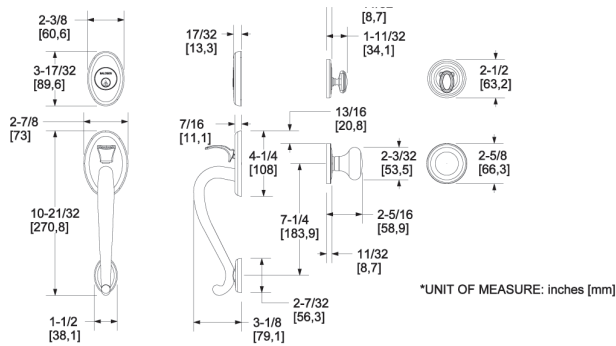
ITEM #	DESCRIPTION	WT.	003, 031, 033, 044, 055, 056, 076, 102, 112, 190, 260
85345.xxx.2ENT	Single cylinder handleset with interior knob	8.8	\$795



Comes with Adjustable Backset Latch

Logan Sectional Handleset

w/ 5015 Classic Knob or 5455V Waver Lever



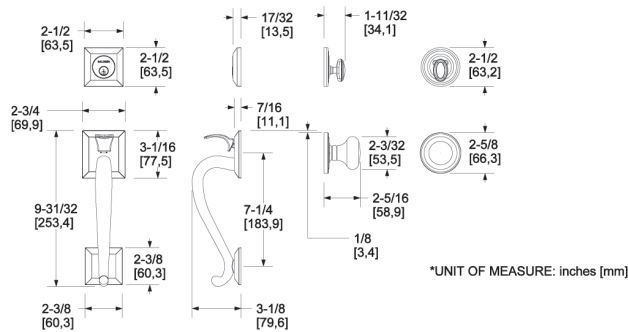
ITEM #	DESCRIPTION	WT.	003, 031, 033, 044 055, 056, 076, 102 112, 190, 260
85315.xxx.ENTR	Single cylinder handleset with interior knob	5.6	\$580
85315.xxx.RENT	Single cylinder handleset with lever - RH Entry	6.7	\$580
85315.xxx.LENT	Single cylinder handleset with lever - LH Entry		



Comes with Adjustable Backset Latch

Madison® Sectional Handleset

w/ 5015 Classic Knob



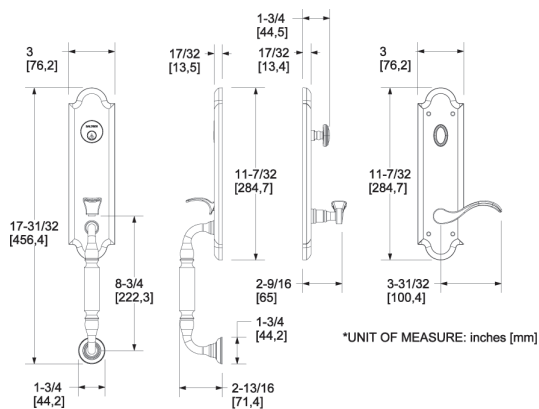
ITEM #	DESCRIPTION	WT.	003, 031, 033, 044 055, 056, 076, 102 112, 190, 260
85320.xxx.ENTR	Single cylinder handleset with interior knob	5.6	\$580



Comes with Adjustable Backset Latch

Manchester Emergency Egress Handleset

w/ 5455V Waver Lever



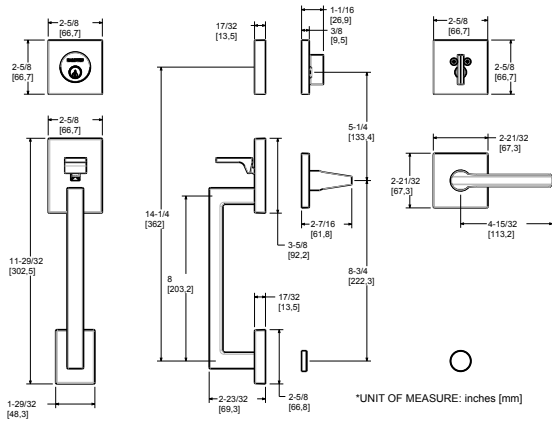
ITEM #	DESCRIPTION	WT.	003, 031, 033, 044 055, 056, 076, 102 112, 190, 260
85350.xxx.RENT	Single cylinder handleset w/ lever, emergency egress - RH Entry	8.3	\$795
85350.xxx.LENT	Single cylinder handleset w/ lever, emergency egress - LH Entry		



Comes with Adjustable Backset Latch

TUBULAR HANDLESETS

Minneapolis® Sectional Trim w/ 5162 Lever

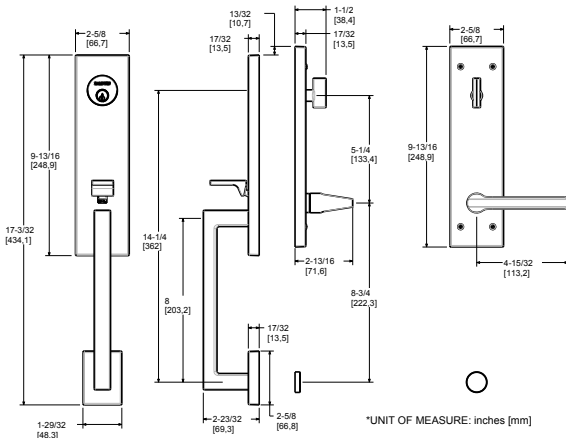


ITEM #	DESCRIPTION	WT.	044, 055, 056 076, 102, 112, 190, 260
85390.xxx.RENT	Single cylinder handleset with lever – RH Entry	6.8	\$632
85390.xxx.LENT	Single cylinder handleset with lever – LH Entry		



Comes with Adjustable Backset Latch

Minneapolis™ 3/4 Escutcheon Handleset Emergency Egress w/ 5162 Lever

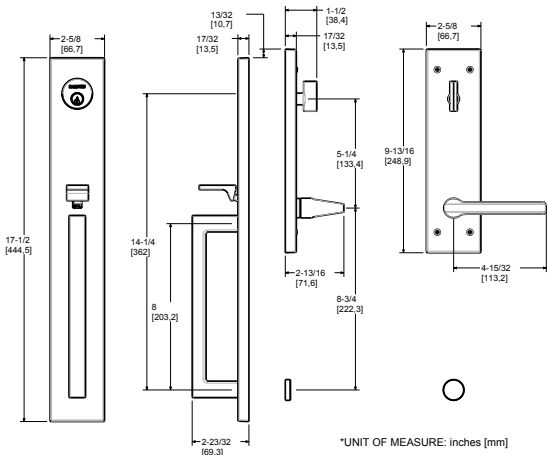


ITEM #	DESCRIPTION	WT.	044, 055, 056, 076 102, 112, 190, 260
85391.xxx.RENT	Single cylinder handleset w/ lever, emergency egress – RH Entry	7.3	\$795
85391.xxx.LENT	Single cylinder handleset w/ lever, emergency egress – LH Entry		



Comes with Adjustable Backset Latch

Minneapolis™ Full Escutcheon Handleset Emergency Egress w/ 5162 Lever



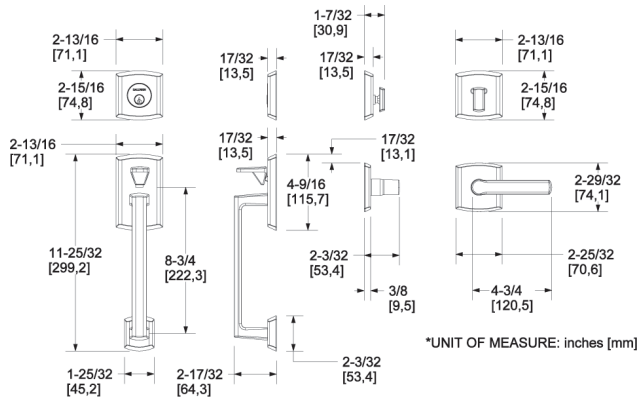
ITEM #	DESCRIPTION	WT.	044, 055, 056, 076 102, 112, 190, 260
85392.xxx.RENT	Single cylinder handleset w/ lever, emergency egress – RH Entry	9.2	\$900
85392.xxx.LENT	Single cylinder handleset w/ lever, emergency egress – LH Entry		



Comes with Adjustable Backset Latch

Soho® Sectional Trim

w/ 5485V Soho Lever



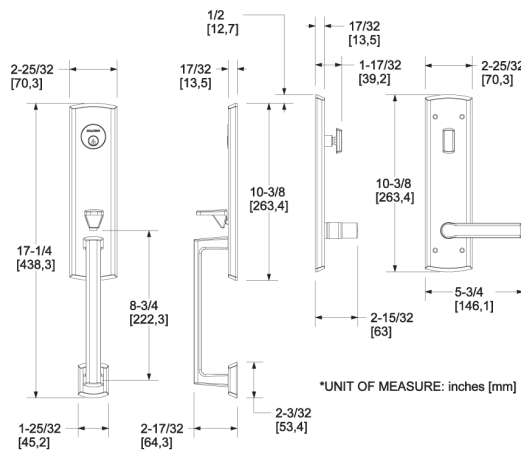
ITEM #	DESCRIPTION	WT.	044, 055, 056, 076 102, 112, 190, 260
85386.xxx.RENT	Single cylinder handlesetw/ Lever – RH Entry	6.8	\$580
85386.xxx.LENT	Single cylinder handlesetw/ Lever – LH Entry		



Comes with Adjustable Backset Latch

Soho® ¾ Escutcheon Handleset

Emergency Egress w/ 5485V Soho Lever



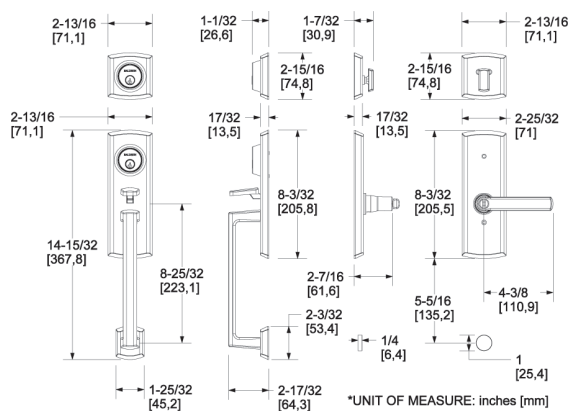
ITEM #	DESCRIPTION	WT.	044, 055, 056, 076 102, 112, 190, 260
85387.xxx.RENT	Single cylinder handlesetw/ Lever – RH Entry , Emergency Egress	7.8	\$795
85387.xxx.LENT	Single cylinder handlesetw/ Lever – LH Entry, Emergency Egress		



Comes with Adjustable Backset Latch

Soho® Two-Point Lock Handleset

w/ Soho Lever



ITEM #	DESCRIPTION	WT.	044, 055, 056, 076 102, 112, 190, 260
85385.xxx.2RH	Single cylinder handleset with lever – RH Entry	9.7	\$795
85385.xxx.2LH	Single cylinder handleset with lever – LH Entry		

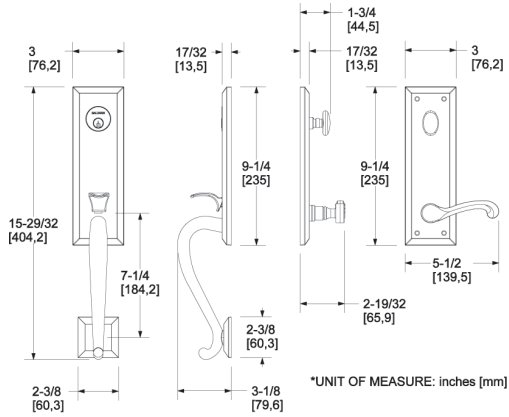


Comes with Adjustable Backset Latch

TUBULAR HANDLESETS

Stonegate Emergency Egress Handleset

w/ 5445V Classic Lever



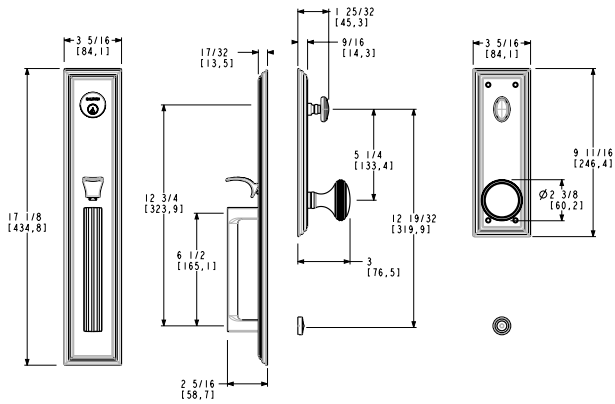
ITEM #	DESCRIPTION	WT.	003, 031, 033, 044 055, 056, 076, 102 112, 190, 260
85355.xxx.RENT	Single cylinder handleset w/ lever, emergency egress – RH Entry	8.1	\$795
85355.xxx.LENT	Single cylinder handleset w/ lever, emergency egress – LH Entry		



Comes with Adjustable Backset Latch

Tremont Full Escutcheon Handleset

Emergency Egress w/ 5069 Knob

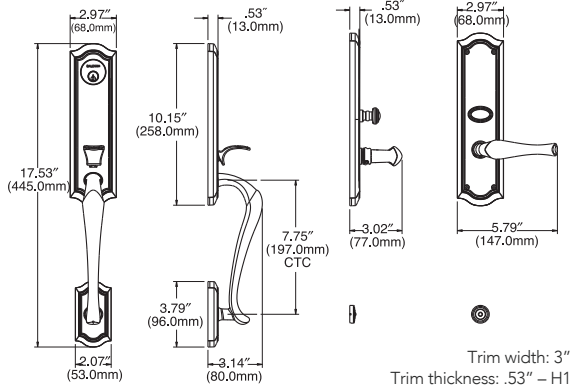


ITEM #	DESCRIPTION	WT.	003, 031, 033, 044 055, 056, 076, 102 112, 190, 260
85342.xxx.ENTR	Single Cylinder handleset with knob	7.3	\$900



Comes with Adjustable Backset Latch

Bethpage 3/4 Escutcheon Handleset Trim

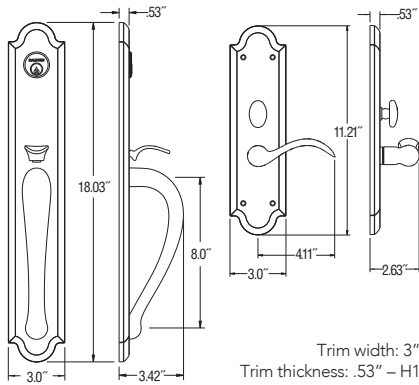


ITEM #	DESCRIPTION	WT.	003, 031, 033, 044
			055, 056, 076
M522.xxx.ENTR	Entrance Trim – Knob	9.5	\$760
M522.xxx.RENT (LENT)	Entrance Trim – Lever		\$760



Requires additional components. See page 38 & 39 for details.

Boulder Full Escutcheon Handleset Trim

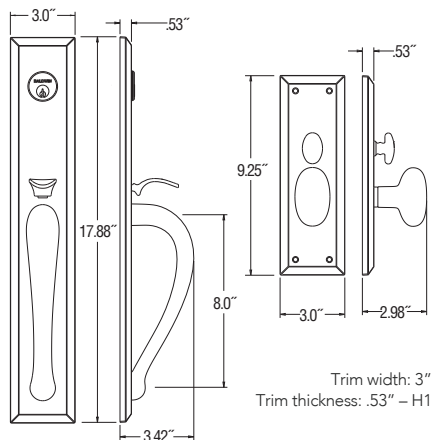


ITEM #	DESCRIPTION	WT.	102, 112, 190, 402
			M514.xxx.ENTR
M514.xxx.RENT (LENT)	Entrance Trim – Lever		\$990



Requires additional components. See page 38 & 39 for details.

Cody Full Escutcheon Handleset Trim



ITEM #	DESCRIPTION	WT.	102, 112, 190, 402
			M504.xxx.ENTR
M504.xxx.RENT (LENT)	Entrance Trim – Lever		\$990

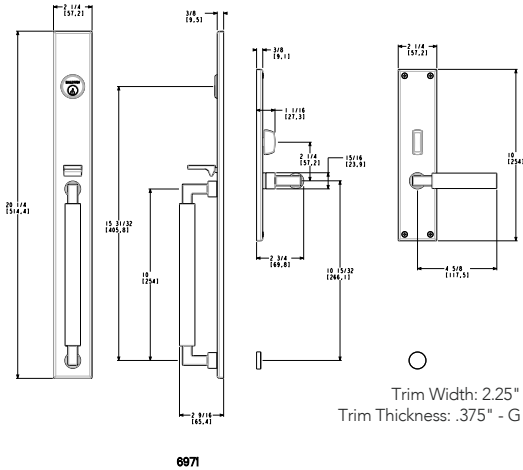


Requires additional components. See page 38 & 39 for details.

MORTISE HANDLESETS

Gramercy Full Escutcheon Handleset Trim

With L029 Lever



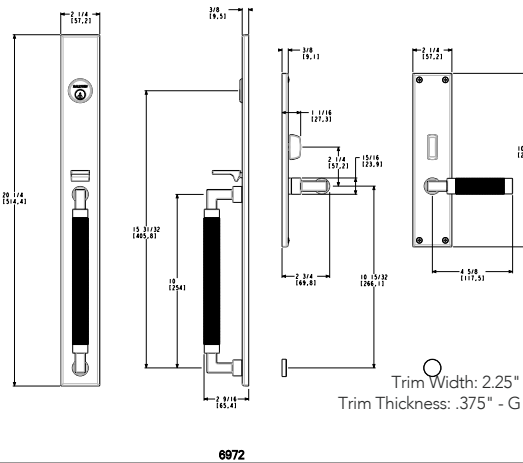
ITEM #	DESCRIPTION	WT.	044, 055, 056 076, 102, 112, 190, 260
6971.xxx.RENT (LENT)	Entrance Trim - Gramercy	9.1	\$1,371



Requires additional components. See page 38 & 39 for details.

Gramercy Knurled Full Escutcheon Handleset Trim

With L030 Lever



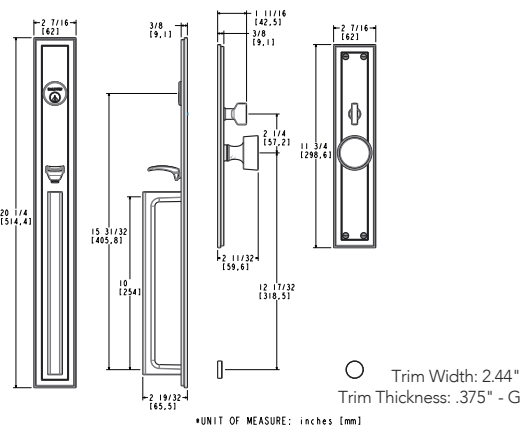
ITEM #	DESCRIPTION	WT.	044, 055, 056, 076, 102, 112, 190, 260
6972.xxx.RENT (LENT)	Entrance Trim - Gramercy	8.6	\$1,440



Requires additional components. See page 38 & 39 for details.

Hollywood Hills 20" Escutcheon Handleset Trim

K008 Knob



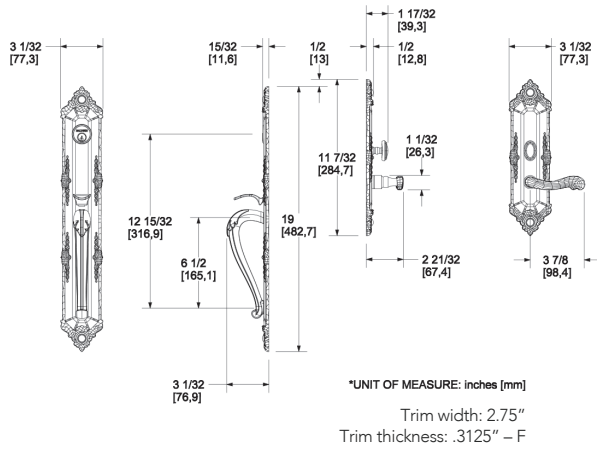
ITEM #	DESCRIPTION	WT.	003, 031, 033, 044 055, 056, 076, 102 112, 190, 260
6946.xxx.ENTR	Entrance Trim		\$1,371



Requires additional components. See page 38 & 39 for details.

Kensington Handleset Trim

w/ 5108 Lever



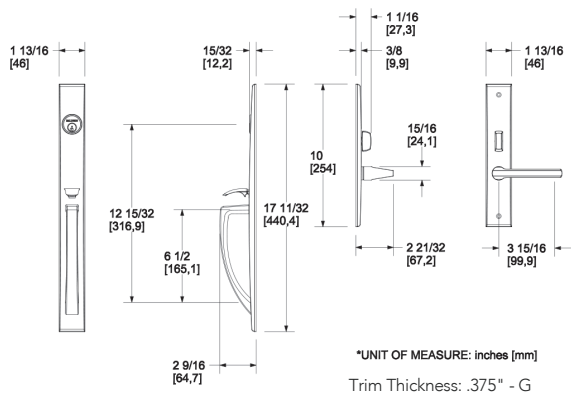
ITEM #	DESCRIPTION	WT.	003, 031, 033 044, 055, 056, 076 102, 112, 190, 260
6950.xxx.RENT (LENT)	Entrance Trim		\$1,219



Requires additional components. See page 38 & 39 for details.

Lakeshore™ Handleset Trim

Emergency Egress w/ 5162 Lever



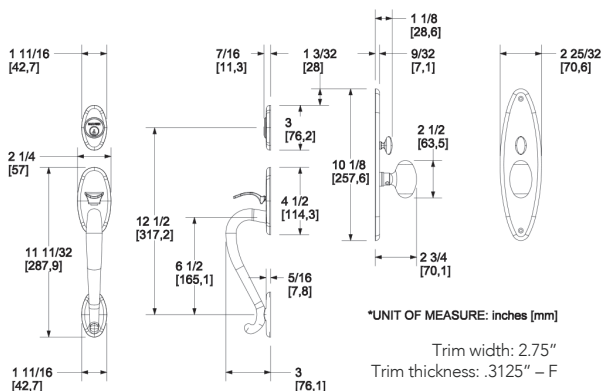
ITEM #	DESCRIPTION	WT.	044, 055, 056, 076 102, 112, 190, 260
6966.xxx.RENT (LENT)	Entrance Trim - Lakeshore	5.0	\$1,219



Requires additional components. See page 38 & 39 for details.

Lexington Handleset Trim

w/ 5025 Egg Knob



ITEM #	DESCRIPTION	WT.	003, 031, 033, 044 055, 056, 076, 102 112, 190, 260
6560.xxx.ENTR	Entrance Trim	4.3	\$760

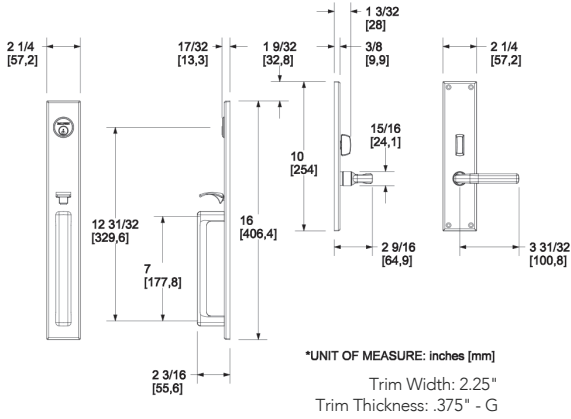


Requires additional components. See page 38 & 39 for details.

MORTISE HANDLESETS

Minneapolis™ Handleset Trim

Emergency Egress w/ 5162 Lever



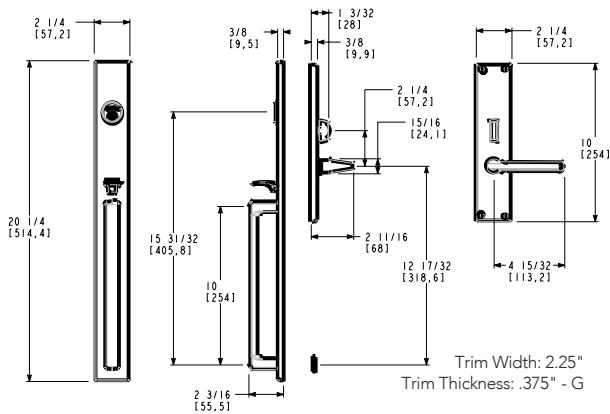
ITEM #	DESCRIPTION	WT.	044, 055, 056, 076 102, 112, 190, 260
6976.xxx.RENT (LENT)	Entrance Trim	5.5	\$990



Requires additional components. See page 38 & 39 for details.

Minneapolis 20" Escutcheon Handleset Trim

w/ 5162 lever



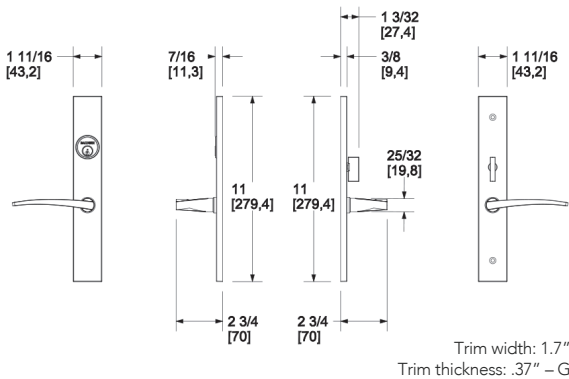
ITEM #	DESCRIPTION	WT.	044, 055, 056, 076, 102, 112, 190, 260
6977.xxx.RENT (LENT)	Entrance Trim - Minneapolis 20"	5.5	\$1,371



Requires additional components. See page 38 & 39 for details.

Santa Monica Handleset Trim

w/ L022 Lever



ITEM #	DESCRIPTION	WT.	044, 055, 056, 076 102, 112, 190, 260
6915.xxx.ENTR	Entrance Trim	9.5	\$760

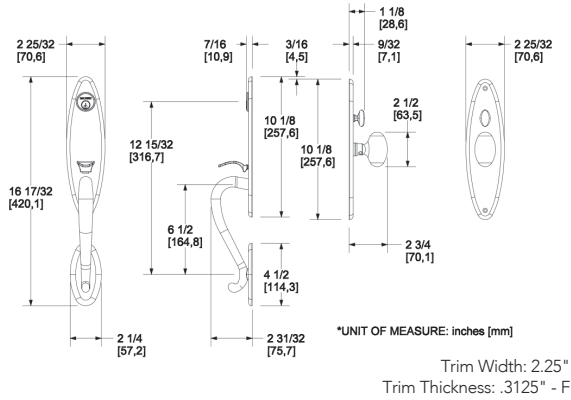


Requires additional components. See page 38 & 39 for details.

Springfield Handleset Trim

w/ 5025 Egg Knob

003, 031, 033, 044
055, 056, 076
102, 112, 190, 260



ITEM #	DESCRIPTION	WT.	
6573.xxx.ENTR	Entrance Trim	9.5	\$760

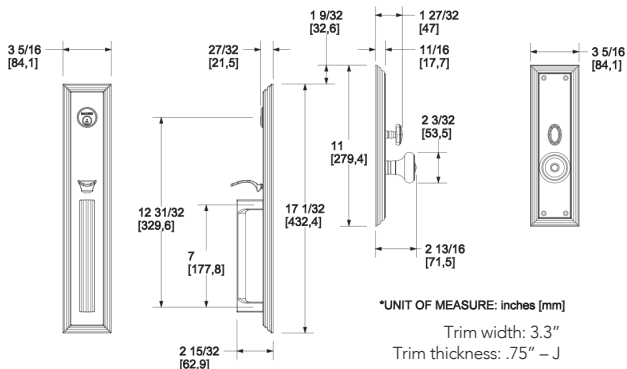


Requires additional components. See page 38 & 39 for details.

Tremont Handleset Trim

w/ 5020 Knob

003, 031, 033
044, 055, 056, 076
102, 112, 190, 260



ITEM #	DESCRIPTION	WT.	
6542.xxx.ENTR	Entrance Trim	9.5	\$1,219



Requires additional components. See page 38 & 39 for details.

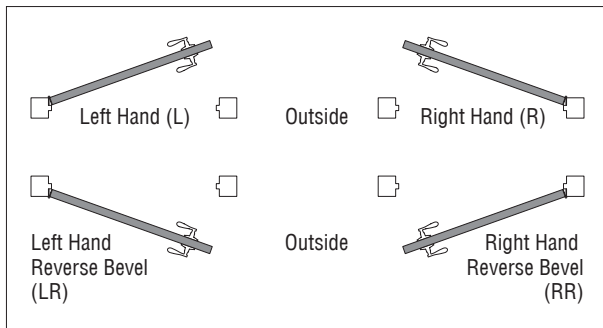
HOW TO ORDER MORTISE LOCKS

SUFFIX CHART

	SUFFIX	MINUS STRIKE	WITH 1" FRONT*
Right hand	.R	.RDT	.R1DT
Left hand	.L	.LDT	.L1DT
Right hand Reverse bevel	.RR	.RRDT	.RR1DT
Left hand Reverse bevel	.LR	.LRDT	.LR1DT
Right hand Lever Strength	.RLS	.RLSDT	.RLS1DT
Left hand Lever Strength	.LLS	.LLSDT	.LLS1DT

*Applies to 2.5" backset locks. For 1" Front DT Distinguishes minus strike. If ordering with strike, do not include the DT note.

DOOR HANDING



1. All Mortise Locks have a handed Suffix (.R or .L)

2. All Mortise Locks are either Knob Strength (no addition to Suffix) or Lever Strength (LS added to the Suffix)

WARNING: DO NOT USE Lever Strength mortise locks with knobs. They only turn one way and have a stiff turning action suitable for levers.

3. **Other Mortise Lock options:**

- Reverse Bevel doors (RR or LR)
- Minus Strike (DT), when an Extended Lip Strike is needed (order Strike separately) Optional 1" Front (1) for 1.375" doors
- Optional 1" front for 1.375" doors are only available on 2.5" or smaller backsets

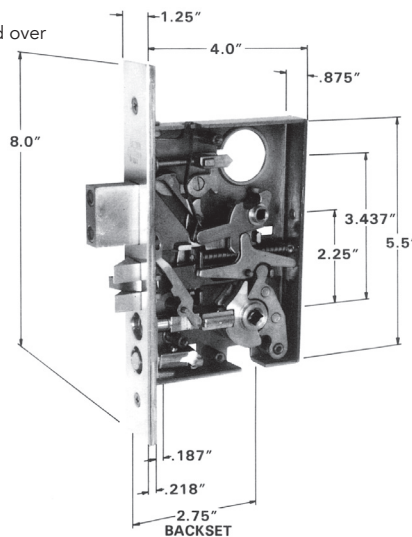
4. **Always review suffix chart!**

FOR MORE DETAILS CONSULT A BALDWIN ESTATE PRICEBOOK.

AVAILABLE IN QUICKSHIP

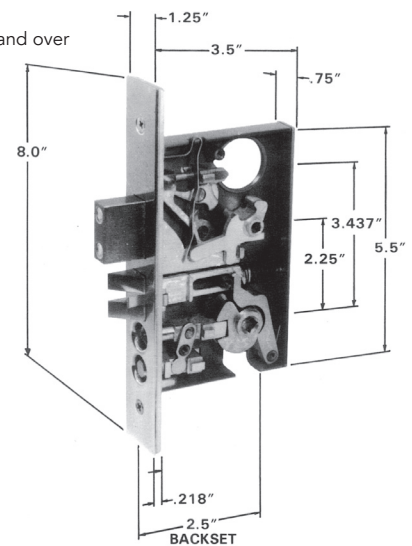
2.75" Backset

for doors 1.75" thick and over



2.5" Backset

for doors 1.375" thick and over



ALL 2.5" AND 2.75" ENTRANCE MORTISE LOCKS ARE U/L LISTED

Baldwin UL-listed 2.5" and 2.75" mortise locks meet US standard UL-10C and Canadian standard CAN4 S104-M80 for survival of a 3-hour burn under positive pressure. All Baldwin Estate Collection mortise entry trim and Estate Collection knob/lever trim may be used with Baldwin UL-listed mortise locks.

NOTE: 1" lock fronts and locks less strike are NOT available in the QuickShip program.

LIST OF AVAILABLE HANDLING OPTIONS

	SUFFIX*
Right hand	.R
Left hand	.L
Right hand Lever Strength	.RLS
Left hand Lever Strength	.LLS

ITEM #	DESCRIPTION	BACKSET	WT.	STD. STRIKE	003, 031, 033, 044 055, 056, 076, 102 112, 150, 190, 260	
6020.xxx.Suffix*	Residential Entrance	Handleset x Knob/Lever	2.75"	3.0	6040	
6021.xxx.Suffix*	Entrance – Emergency Egress	Handleset x Knob/Lever	2.75"	3.0	6040	\$504
6075.xxx.Suffix*	Entrance – Emergency Egress	Knob x Knob/Lever x Lever	2.75"	3.0	6040	
6320.xxx.Suffix*	Residential Entrance	Handleset x Knob/Lever	2.5"	3.0	6340	
6321.xxx.Suffix*	Entrance – Emergency Egress	Handleset x Knob/Lever	2.5"	3.0	6340	\$504
6375.xxx.Suffix*	Entrance – Emergency Egress	Knob x Knob/Lever x Lever	2.5"	3.0	6340	

2.75" backsets comes with the 1.25" front.

2.5" backsets comes with the 1.25" front.

>Specify handing with Suffix* after finish designation (Suffix chart above left)

NOTE: Baldwin recommends the usage of 2.75" backset locks for doors thicker than 2" or doors 8ft or taller.

WARNING: DO NOT USE lever Strength mortise locks with knobs. They only turn one way and have a stiff turning action suitable for levers.

SINGLE CYINDER – C KEYWAY



ITEM #	DESCRIPTION	003, 031, 033, 044, 055, 056 076, 102, 190, 112, 260
8323.xxx	1.25" Mortise Cyl.	
8324.xxx	1.375" Mortise Cyl.	\$82
8325.xxx	1.5" Mortise Cyl.	
8326.xxx	1.625" Mortise Cyl.	\$169

QuickShip Cylinder is only for 1.75" thick Doors.

Other mortise lock components, including thick door kits and locks less strikes are available with standard lead times. Please consult the Baldwin Estate Price Book or contact Baldwin Customer Service for details.

THICK DOOR KITS

1.75" to 2.25" Door Thickness Mortise Handlesets

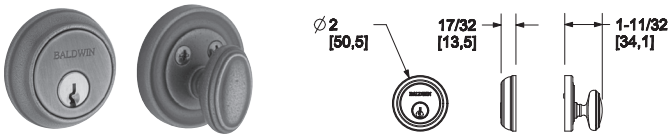
MORTISE, WOOD DOOR

KIT	FOR ENTRANCE TRIM #	PRICE
6501.000.A	6515, 6520, 6526, 6540, 6541, 6543, 6549, 6556, 6557, 6560, 6564, 6565, 6567, 6568, 6570, 6571, 6572, 6573, 6931, 6946, 6948, 6950, 6963, 6976 active & dummy	\$10
6501.000.F	6966	\$38

REQUIRED for all doors over 1.75" and up to 2.25" thick Thick Door Kits

DEADBOLTS

8031 Traditional Deadbolt – 1 5/8" Door Prep

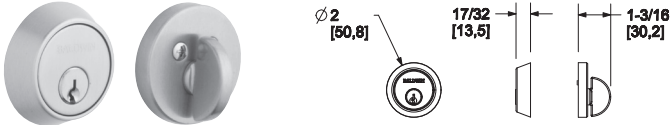


ITEM #	DESCRIPTION	WT.	003, 031, 033 044, 055, 056, 076 102, 112, 190, 260
8031.xxx	Single cylinder deadbolt	1.8	\$148

*QuickShip deadbolts are for 1.75" thick doors
**See thick door kits on page 61

Comes with Adjustable Backset Latch

8041 Contemporary Deadbolt – 1 5/8" Door Prep

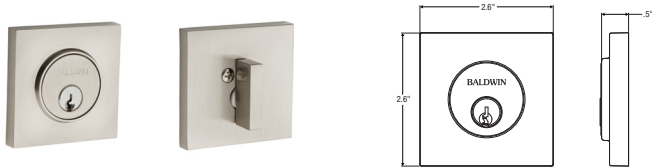


ITEM #	DESCRIPTION	WT.	044, 055, 056, 076 102, 112, 190, 260
8041.xxx	Single cylinder deadbolt	1.7	\$148

*QuickShip deadbolts are for 1.75" thick doors
**See thick door kits on page 61

Comes with Adjustable Backset Latch

8220 Contemporary Deadbolt – 2 1/8" Door Prep



ITEM #	DESCRIPTION	WT.	003, 031, 044, 055, 056, 076 102, 112, 190, 260
8220.xxx	Single cylinder deadbolt	1.7	\$186

*QuickShip deadbolts are for 1.75" thick doors
**See thick door kits on page 61

Comes with Adjustable Backset Latch

8231 Traditional Deadbolt – 2 1/8" Door Prep



ITEM #	DESCRIPTION	WT.	003, 031, 033 044, 055, 056, 076 102, 112, 190, 260
8231.xxx	Single cylinder deadbolt	2.2	\$148

*QuickShip deadbolts are for 1.75" thick doors
**See thick door kits on page 61

Comes with Adjustable Backset Latch

8241 Contemporary Deadbolt – 2 1/8" Door Prep



ITEM #	DESCRIPTION	WT.	003, 031, 044, 055, 056, 076 102, 112, 190, 260
8241.xxx	Single cylinder deadbolt	2.1	\$148v

*QuickShip deadbolts are for 1.75" thick doors
**See thick door kits on page 61

Comes with Adjustable Backset Latch

8244 Contemporary Deadbolt – 2 1/8" Door Prep

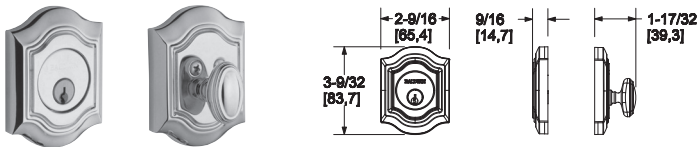


ITEM #	DESCRIPTION	WT.	003, 031, 044, 055, 056, 076 102, 112, 190, 260
8244.xxx	Single cylinder deadbolt	2.1	\$186

*QuickShip deadbolts are for 1.75" thick doors
**See thick door kits on page 61

Comes with Adjustable Backset Latch

8237 Bethpage Adjustable Deadbolt – 2 1/8" Door Prep



ITEM #	DESCRIPTION	WT.	003, 031, 033 044, 055, 056, 076 102, 112, 190, 260
8237.xxx	Single cylinder deadbolt	2.1	\$186

*QuickShip deadbolts are for 1.75" thick doors
**See thick door kits on page 61

Comes with Adjustable Backset Latch

8252 Arched Deadbolt – 2 1/8" Door Prep



ITEM #	DESCRIPTION	WT.	003, 031, 033 044, 055, 056, 076 102, 112, 190, 260
8252.xxx	Single cylinder deadbolt	2.0	\$186

*QuickShip deadbolts are for 1.75" thick doors
**See thick door kits on page 61

Comes with Adjustable Backset Latch

8254 Squared Deadbolt – 2 1/8" Door Prep

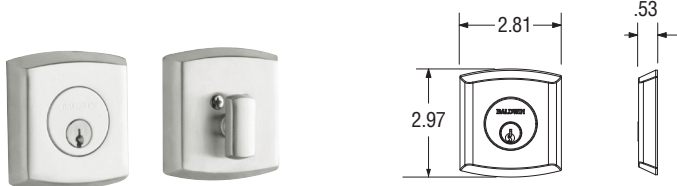


ITEM #	DESCRIPTION	WT.	003, 031, 033 044, 055, 056, 076 102, 112, 190
8254.xxx	Single cylinder deadbolt	2.0	\$186

*QuickShip deadbolts are for 1.75" thick doors
**See thick door kits on page 61

Comes with Adjustable Backset Latch

8285 SOHO Deadbolt – 2 1/8" Door Prep

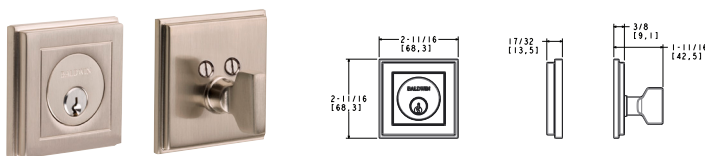


ITEM #	DESCRIPTION	WT.	003, 031, 044, 055, 056, 076 102, 112, 190
8285.xxx	Single cylinder deadbolt	2.2	\$186

*QuickShip deadbolts are for 1.75" thick doors
**See thick door kits on page 61

Comes with Adjustable Backset Latch

8260 Hollywood Hills Deadbolt – 2 1/8" Door Prep



ITEM #	DESCRIPTION	WT.	003, 031, 033 044, 055, 056, 076 102, 112, 190, 260
8260.xxx	Single cylinder deadbolt	2.2	\$186

*QuickShip deadbolts are for 1.75" thick doors
**See thick door kits on page 61

Comes with Adjustable Backset Latch

Santa Monica - Large

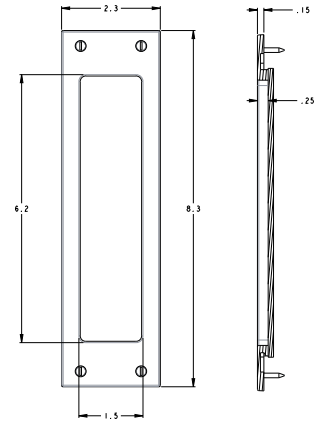
New Surface Mounted Design

003, 031, 033
044, 055, 056, 076
102, 112, 190, 260



Item #	Description		
SET*	PD005.xxx.ENTR	Entry set with 2.5" backset lock*	Set \$814
	PD005.xxx.PRIV	Privacy set with 2.5" backset lock	Set \$814
	PD005.xxx.PASS	Passage/dummy set with pull	Set \$724
	PD005.xxx.FD	Dummy set for double doors	Set \$765

*Entry set excludes cylinder



Minimum Door Thickness: 1.375"

Santa Monica - Small

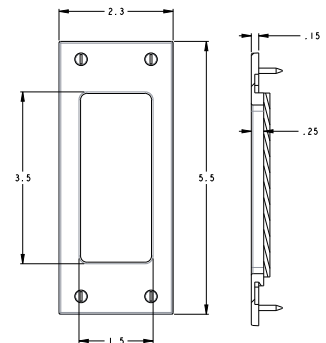
New Surface Mounted Design

003, 031, 033
044, 055, 056, 076
102, 112, 190, 260



Item #	Description		
SET*	PD006.xxx.ENTR	Entry set with 2.5" backset lock*	Set \$760
	PD006.xxx.PRIV	Privacy set with 2.5" backset lock	Set \$760
	PD006.xxx.PASS	Passage/dummy set with pull	Set \$668
	PD006.xxx.FD	Dummy set for double doors	Set \$710

*Entry set excludes cylinder



Minimum Door Thickness: 1.375"

1035 3.5" x 3.5" – Square Corner



ITEM #	DESCRIPTION	PER BOX	WT.	003, 031, 033, 044 055, 056, 076, 102 112, 190, 260
1035.xxx.l	Hinge – 3.5" x 3.5"	1 each	0.7	\$50

PACKED: One per box, each hinge poly-bagged with fasteners. Supplied with 6 – #10 Flat Head-Phillips wood screws.

NOTE: Hinge thickness: .125".

1040 4" x 4" – Square Corner



ITEM #	DESCRIPTION	PER BOX	WT.	003, 031, 033, 044 055, 056, 076, 102 112, 190, 260
1040.xxx.l	Hinge – 4" x 4"	1 each	0.8	\$54

PACKED: One per box, each hinge poly-bagged with fasteners. Supplied with 8 – #12 Flat Head-Phillips wood screws.

NOTE: Hinge thickness: .130".

1045 4.5" x 4.5" – Square Corner



ITEM #	DESCRIPTION	PER BOX	WT.	003, 031, 033, 044 055, 056, 076, 102 112, 190, 260
1045.xxx.l	Hinge – 4.5" x 4.5"	1 each	1.0	\$58

PACKED: One per box, each hinge poly-bagged with fasteners. Supplied with 8 – #12 Flat Head-Phillips wood screws.

NOTE: Hinge thickness: .134".

1041 4" x 4" – Ball Bearing



ITEM #	DESCRIPTION	PER BOX	WT.	003, 031, 033, 044, 055, 056, 076, 102 112, 190, 260
1041.xxx.l	Ball Bearing Hinge – 4" x 4"	1 each	0.8	\$67

PACKED: One per box, each hinge poly-bagged with fasteners. Supplied with #12 x 1.25" Flat Head-Phillips wood screws.

NOTE: Hinge thickness: .130".

1046 4.5" x 4.5" – Ball Bearing



ITEM #	DESCRIPTION	PER BOX	WT.	003, 031, 033, 044 055, 056, 0VV*, 102 112, 190, 260
1046.xxx.l	Ball Bearing Hinge – 4.5" x 4.5"	1 each	1.0	\$70

PACKED: One per box, each hinge poly-bagged with fasteners. Supplied with #12 x 1.25" Flat Head-Phillips wood screws.

NOTE: Hinge thickness: .134".

1135 3.5" x 3.5" – 5/8" Radius Corner



ITEM #	DESCRIPTION	PER BOX	WT.	003, 031, 033, 044 055, 056, 076, 102 112, 190, 260
1135.xxx.l	5/8" Radius Corner Hinge – 3.5" x 3.5"	1 each	0.7	\$34

PACKED: One per box, each hinge poly-bagged with fasteners. Supplied with #10 x 1" Flat Head-Phillips wood screws.

NOTE: Hinge thickness: .093".

1140 4" x 4" – 5/8" Radius Corner



ITEM #	DESCRIPTION	PER BOX	WT.	003, 031, 033, 044 055, 056, 076, 102 112, 190, 260
1140.xxx.l	5/8" Radius Corner Hinge – 4" x 4"	1 each	0.8	\$38

PACKED: One per box, each hinge poly-bagged with fasteners. Supplied with #10 x 1" Flat Head-Phillips wood screws.

NOTE: Hinge thickness: .090".

4045 Base Mounted Door Bumper



ITEM #	DESCRIPTION	PER BOX	WT.	003, 031, 033, 044, 050
				055, 056, 076, 102 112, 190, 260
4045.xxx	Wall Door Bumper – 3" Proj., 1.1875" Dia.	10	2	\$21

FEATURES: Solid forged brass construction for maximum strength and durability. Stem of bumper has hexagon section to facilitate fastening without damaging finish. Resilient rubber guard is replaceable.

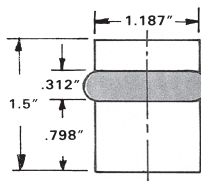
PACKED: Individually poly-bagged with appropriate fasteners (1 per poly bag).

FASTENERS: Supplied with wood screw thread.

Federal Specification Equivalents: Government Type: 1322

BHMA DESIGNATION: L02031

4505 Universal Floor Bumper



ITEM #	DESCRIPTION	PER BOX	WT.	003, 031, 033, 044
				055, 056, 076, 102 112, 190, 260
4505.xxx	Floor Bumper – 1.187" Dia.	10	4	\$34

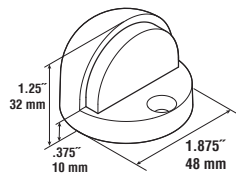
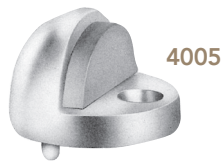
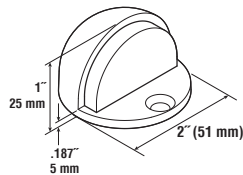
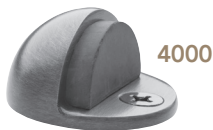
FEATURES: Designed for concealed mounting applications, this contemporary floor bumper contains the mounting screw within the body of the bumper. The rubber insert is located .798" (20mm) from the bottom to function on doors with a .375" (9.5mm) to a 1" (25mm) undercut. To facilitate the replacement of the rubber guard, simply remove the top cap.

PACKED: Individually poly-bagged with appropriate fasteners.

ORDERING INSTRUCTIONS: Supplied with a wood screw and plastic anchor.aa

REPLACEMENT RUBBER: No. 4507.406.00035 (Grey)

4000, 4005, 4010 Half Dome Door Bumpers



Item #	Description	Per Box	Wt.	030, 031, 033
				044, 076, 102, 112 140, 150, 190, 260
4000.xxx	Half Dome Door Bumper – 1"Ht.	50	12	\$20
4005.xxx	Half Dome Door Bumper – 1.25"Ht.	40	16.6	\$20

FEATURES: "Half Dome" design minimizes stumbling hazards and cleaning interference. Thick solid rubber bumper of special design is compounded for greater resiliency.

PACKED: Individually poly-bagged with appropriate fasteners in a dispensing type carton.

FASTENERS: Supplied with fasteners for wood, plaster, and masonry installations.

FEDERAL SPECIFICATION EQUIVALENTS: Government Type: 1330/1330A

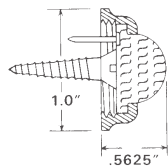
BHMA DESIGNATION: L02141 (No. 4000), L02161 (No. 4005)

REPLACEMENT RUBBER: No. 4000.406 for 4000/4005 (Grey)

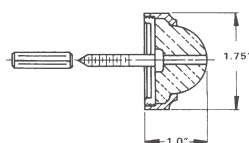
4015, 4252 Convex Wall Bumpers



4015



4252



Item #	Description	Per Box	Wt.	003, 031, 033, 044
				055, 076, 102, 112 140, 150, 190, 260
4015.xxx	Wall Flush Bumper – 1"Dia.	1	0.8	\$18
4252.xxx*	Wall Flush Bumper – Convex Design	1	10	\$18

*Not available in 055

4015 FEATURES: Compact designed bumper permits installation in areas where larger bumpers are not suitable due to size or projection. Fasteners are totally concealed underneath durable rubber insert.

4252 FEATURES: Engineered for commercial/residential installations, this compact and contemporary designed bumper features completely concealed fasteners for an unobtrusive and screwless appearance. Supplied with wood and masonry fasteners, it is furnished unassembled to facilitate the substitution of fasteners. Designed for ease of installation, the bumper is attached onto a heavy gauge metal back plate through a threading application. For a fully theft proof installation, the use of a strap wrench for tightening or several drops of Loctite Grade A is recommended.

4252 PACKED: Individually poly-bagged with appropriate fasteners in a dispensing type carton.

FEDERAL SPECIFICATION EQUIVALENTS: Government Type: 1327 (4252 only)

BHMA DESIGNATION: L02101 (4015 & 4252)

0102, 0103 Colonial Knocker



Item #	Description	Per Box	Wt.	003, 031, 033, 044, 055, 056, 076, 102, 112, 190, 260
0102.xxx	Colonial Knocker	1	1	\$100
0103.xxx	Colonial Knocker w/ Observascope	1	1	\$120

SIZE: 6.5" x 3.5" (165 x 89mm)

CTC OF BOLTS: 4" (102mm)

PACKED: One (1) in a box, poly-bagged, with proper fasteners for 1.75" thick doors

0113 "S" Knocker



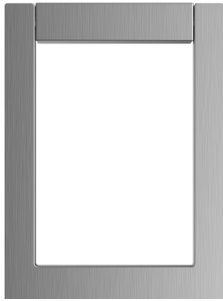
Item #	Description	Per Box	Wt.	003, 031, 033, 044, 055, 056, 076, 102, 112, 190, 260
0113.xxx	"S" Knocker	1	1.8	\$200

SIZE: 2" dia. base (51mm), 7.8" ht. (197mm), 2.8" projection (70mm)

CTC OF BOLTS: 4.75" (120mm)

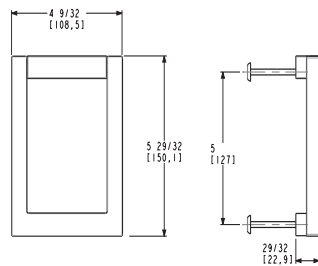
PACKED: One (1) in a box, poly-bagged, with proper fasteners for 1.75" thick doors

0183 Contemporary Knocker



Item #	Description	Wt.	044, 055, 056, 076, 102, 112, 190, 260
0183.xxx	Contemporary Knocker		\$200

PACKED: One (1) in a box, poly-bagged, with proper fasteners for 1.75" thick doors.



0184, 0185 Modern Knocker

0184
Standalone

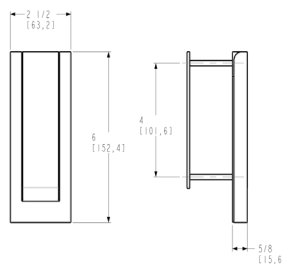


0185
Observascope



Item #	Description	Wt.	044, 055, 056, 076, 102, 112, 190, 260
0184.xxx	Modern Knocker		\$180
0185.xxx	Modern Knocker w/ Observascope		\$200

PACKED: One (1) in a box, poly-bagged, with proper fasteners for 1.75" thick doors.



0195 Ring Knocker



Item #	Description	Per Box	Wt.	003, 031, 033, 044 055, 056, 076, 102 112, 190, 260
0195.xxx	Ring Knocker	1	1.5	\$180

SIZE: 4.25" x 5.5" (108 x 140mm)

CTC OF BOLTS: 3.75" (95mm)

PACKED: One (1) in a box, poly-bagged, with proper fasteners for 1.75" thick doors

0155, 0156 Observascope



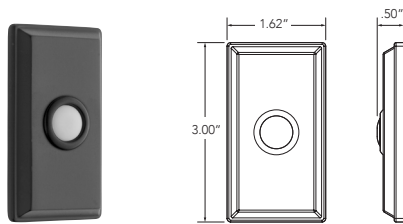
Item #	Description	Per Box	Wt.	030, 260
0155.xxx	Observ-O-Scope (doors <2.25" thick)	10	0.06	\$21
0156.xxx	Observ-O-Scope (doors 2.25-3.25" thick)	10	0.06	\$23

SIZE: .5" (13mm) diameter quality lens.

FEATURES: Exterior lens constructed of scientific glass to prohibit scratching while creating a field of vision exceeding 160°. All viewers are furnished with a shutter.

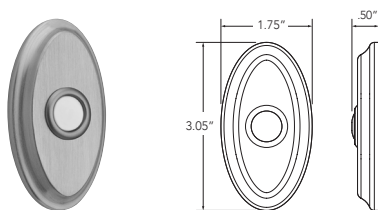
INSTALLATION: Drill a .5" (13mm) hole completely through the door; insert the lens portion into the exterior side and the slotted scope portion through the interior side. Tighten together with a standard screwdriver.

4860 Rectangular Bell Button



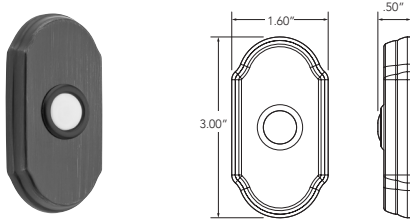
Item #	Description	Wt.	003, 031, 044 055, 056, 076, 102 112, 190, 260
4860.xxx	Rectangular Bell Button	0.3	\$45

4861 Oval Bell Button



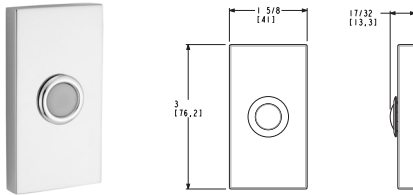
Item #	Description	Wt.	003, 031, 044 055, 056, 076, 102 112, 190, 260
4861.xxx	Oval Bell Button	0.3	\$45

4862 Arch Bell Button



Item #	Description	Wt.	003, 031, 044, 055 056, 076, 102, 112 190, 260
4862.xxx	Arch Bell Button	0.3	\$45

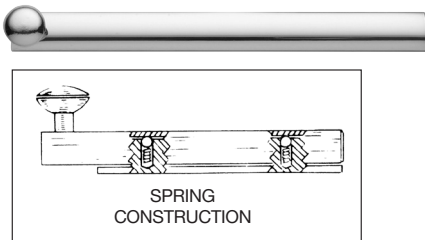
4863 Rectangular Bell Button



Item #	Description	Wt.	044, 055, 056 076, 102, 112 190, 260
4863.xxx	Contemporary Bell Button	0.3	\$45

0321, 0322 General Purpose Surface Bolts

Supplied w/ 0320 Strikes



Item #	Description	Per Box	Wt.	003, 031, 033, 044 076, 102, 112, 140 150, 190, 260
0321.xxx	Surface Bolt – 3"	10	1.8	\$36
0322.xxx	Surface Bolt – 4"	10	2.2	\$37

SIZES: .5"(13mm) width rod, .5"(13mm) width of guide, .875"(22mm) throw.
FEATURES: Mounted on a fully concealed guide of special design. Fasteners are not visible.
PACKED: Includes Universal and Mortise Strikes and screws.
BHMA DESIGNATION: L04151

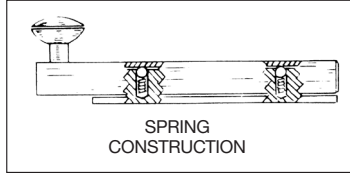
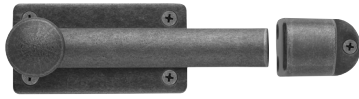
0340



Item #	Description	Per Box	Wt.	003, 031, 033, 044 055, 056, 076, 102 112, 190, 260
0340.xxx	Dutch Door Quadrant, 4" x 4.75"	1	0.7	\$110

SIZES: Base: 1.5" x 2.5" (38x64mm). Overall: 4" x 4.75" (102x121mm).
 Length of bolt: 4.25" (108mm). Bolt throw: 1.125" (28mm).
FEATURES: Fully reversible, non-handed Double the tensile strength of ordinary sand castings
 Self-lubricating nylon washer for positive constant tension When bolt is in locked position, both
 pivot and keeper are in straight line. Specially designed tapered strike promotes secure interlock
 of top and bottom leaves of Dutch doors.
PACKED: One in a box with wood screws.

0345 Heavy Duty Dutch Door Bolt
Supplied w/ 0310 Strike



Item #	Description	Per Box	Wt.	003, 031, 033 044, 055, 056, 076 102, 112, 190, 260
0345.xxx	Dutch Door Bolt	1	3.8	\$110

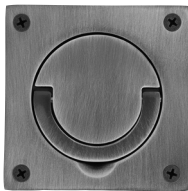
SIZES: Rod width: .625"(16mm). Guide width: 1.5"(38mm).
Length of bolt: 4.25"(108mm). Bolt throw: 1.125"(28mm).

FEATURES: Our Dutch Door Bolt is made of heavy solid brass extrusions, precisely fitted for easier operation. When used on Dutch doors the leaves of doors are tightly joined by chamfered rod end. Proper amount of play is provided in strike allowing for misalignment of the two leaves. This prevents bolt from binding. Large and decorative 1.25"(32mm) diameter knob is for easier handling.

PACKED: 5 in a box with proper fasteners and strike as illustrated.

STRIKES: Universal, Angle, Mortise, and Surface Strikes available at an extra charge. Consult price list.

0397 Flush Cup Handle & Ring Pull



Item #	Description	Per Box	Wt.	003, 031, 033, 044, 055, 056, 076 102, 112, 190, 260
0397.xxx	Flush Cup Handle (Brass) – 3.5"x 3.5"	1	0.9	\$220

FEATURES: Solid forged construction for maximum strength and durability, Flush Ring Pulls, are recommended for marine use and where flush installation is essential.

PACKED: Includes wood screws.

BHMA DESIGNATION: J404

NOTES: Not intended to be used as a tie down.

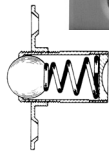
IMPORTANT: No. 0397 Flush Ring Pull is specifically designed for use with mortise locks/latches. Available only for back-to-back or single mounting applications on 2"(51mm) minimum thick doors or 1.75"(44mm) minimum thick doors with .25"(6mm) minimum applied panel. Application must be designated when ordering.

0425, 0426 Adjustable Ball Catch

0425



0426



Item #	Description	Wt.	003, 031, 033, 044 055, 056, 076, 102 112, 140, 190, 260
0425.xxx	Adjustable Ball Catch (fitted in jamb)	2.1	\$30
0426.xxx	Adjustable Ball Catch (fitted in door)	2.2	\$30

SIZE: Face Plate: 1" x 2.125"(25 x 54mm)
Bore: .875" dia. x 1.25" long (22 x 32mm)
0425.xxx Strike: 1.06" x 2.125", Lip to Center: .56"
0426.xxx Strike: 1.375" x 2.125", Lip to Center: .875"

FEATURES: Dual adjustment ball bearing catch of excellent design takes advantage of rolling ball action for perfect tension. Infinite adjustments for compensation of various door clearances, swelling, shrinking, drafts and weights. Recommended for use on louvered, bi-folding, accordion, closet and light to medium service doors.

PACKED: Includes wood screws.

FEDERAL SPECIFICATION EQUIVALENTS: Government Type: 1861

BHMA DESIGNATION: D2801

NOTES: Not recommended for doors larger than for doors larger than 3.0' x 6'8" x 1.75" thick.

0440 Adjustable Roller Catch



Item #	Description	Wt.	003, 031, 033, 044, 076 102, 112, 140, 190, 260
0440.xxx	Adjustable Roller Catch	2.2	\$35

SIZE: Face Plate: 1" x 2.25"(25x57mm)
Bore: 1" dia. x 1.625" long (25x41mm)
Strike: 1.125" x 2.75"(29x70mm)
Lip to Center: 1.312"(33mm)

FEATURES: Adjustable tension heavy duty roller catches made for cabinet, closet and interior doors. (Recommended for 1.375" thick hollow core doors). Easily installed on thick doors. Smooth action. Fully adjustable from 3 lbs. (1.36kg) to 18lbs. (8.16kg) of heading pressure. Equipped with durable nylon roller for quiet operation.

PACKED: Includes fasteners.

0430, 0432 Roller Latch w/ Strike

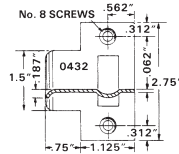
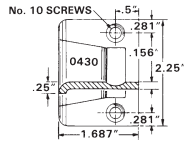
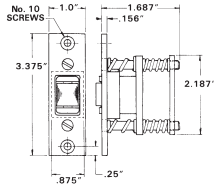
0430
0432



with
0430



with
0432



Item #	Description	Wt.	003, 031, 033, 044 076, 102, 112, 140 150, 190, 260
0430.xxx	Roller Latch w/ Full Lip Strike	0.7	\$112
0432.xxx	Roller Latch w/ t Strike	0.7	\$112

SIZE: 0432.xxx Lip To Center Dimension: 1.25" (32mm).

FEATURES: Designed for use on interior doors in hospitals or where quiet operation is required. Very sturdy all forged brass construction throughout. Specifically compounded rubber roller silently engages the strike and holds the door firmly closed without the loud clicks of ordinary locks. The projection of the roller is adjustable for various door clearances. Specially designed adjusting screws, mounted in the face plate, permit fine and accurate adjustment of the roller projection for various door clearances after installation. Designed to ANSI template specifications.

PACKED: Includes wood screws and machine screws.

TEMPLATE: Doors/frames to be prepared in accordance with ANSI A115.1-1976 or A115.2-1980.

ORDERING INSTRUCTIONS: Item number listed under illustrated strike designates complete latch unit and strike. (Example: 0431 includes latch mechanism and ASA strike.)

FEDERAL SPECIFICATION EQUIVALENTS: Government Type: 193

BHMA DESIGNATION: EO9091

0452 Sash Lock



Item #	Description	Wt.	003, 031, 033, 044 050, 055, 056, 076 102, 112, 190, 260
0452.xxx	Sash Lock	2.2	\$27

SIZE: Latch Base: .968" x 2.437" (25 x 62mm), Strike Base: .656" x 2.437" (15 x 62mm)

PROJECTION: .906" (23mm)

CTC OF HOLES: 2" (51mm)

FEATURES: Traditional style sash lock with heavy duty spring to provide constant tension for a non-rattling fit. Center to center of mounting screws conforms to industry standards.

PACKED: Includes necessary fasteners.

BHMA DESIGNATION: L05121

0458 Flush Pull



Item #	Description	Wt.	003, 031, 033, 044 055, 076, 102, 112 150, 190, 260
0458.xxx	Flush Pull, 1.5" x 3.5"	2.7	\$33

SIZE: Base: 1.5" x 3.5" (38 x 89mm)

THICKNESS OF FLANGE: .187" (5mm)

FEATURES: Decorative flush pull designed to be used as a sash lift or sliding door pull if pocket allows clearance. Colonial design makes it suitable for Early American interiors. Extra heavy solid forged brass construction.

NOTE: Pull has .25" projection

PACKED: Includes wood screws.

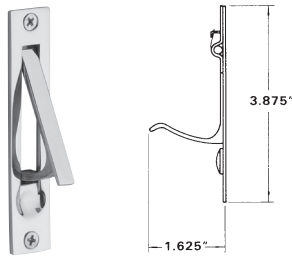
0470 Sash Lift



Item #	Description	Wt.	003, 031, 033, 044, 055, 076, 102 112, 150, 190, 260
0470.xxx	Sash Lift, 4" x 1.125"	1	\$33

SIZE: Base: 4" x 1.125" (102 x 29mm)
PROJECTION: .1" (25mm)
PACKED: Includes wood screws.
FEDERAL SPECIFICATION EQUIVALENTS: Government Type: 1204
BHMA DESIGNATION: L05181

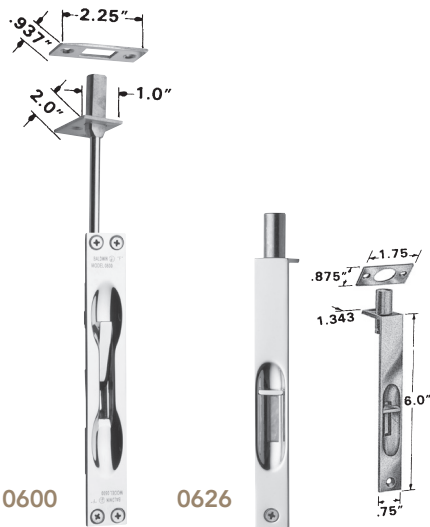
0465 Edge Pull



Item #	Description	Wt.	003, 031, 033, 044, 055, 056, 076 102, 112, 190, 260
0465.xxx	Edge Pull - .75" x 1.625" x 3.875"	1.2	\$22

FEATURES: Specially designed spring loaded Edge Pull returns lever flush with face plate. Narrow design eliminates installation problems on thin door conditions. Intended for use on pocket door applications.
PACKED: Includes wood screws.
FEDERAL SPECIFICATION EQUIVALENTS: Government Type: 1861
BHMA DESIGNATION: D2801
NOTES: Not recommended for doors larger than 3.0' x 6'8" x 1.75" thick.

0600, 0626 Flush Bolts



Item #	Description	Wt.	003, 031, 033, 044 055, 056, 076, 102 112, 140, 190, 260
0600.xxx.12	Flush Bolt w/ 12" Rod (Standard)	1.8	\$75
0626.xx*	Flush Bolt - 6"	3.8	\$32

0600.xxx
SIZE: Face Plate: 1" x 6.75" (25mm x 171mm), Bolt Head: .5" (13mm), Rod Backset: .75" (19mm)
FEATURES: Hot forged extension bolt having over .75" (19mm) throw. Unique push button design of lever and delay action for easy operation. Lever does not engage the bolt until it is hinged freely to 45 angle. At this position it is easy to move the bolt head. Lever snaps automatically when hinged beyond 45 angle. Made to template for easy installation in metal door frames. Use of strike optional.
PACKED: One in a box with 12" (305mm) rods standard. Bolts packed with machine/wood screws for all conditions. Lengths given are from center of bolt mechanism with bolt retracted.
FEDERAL SPECIFICATION EQUIVALENTS: Government Type: 1049
BHMA DESIGNATION: LO4081

0626.xxx
***0626 not available in 055 or 056**
SIZE: 1" Throw, .47" Backset of Rod, .5" Bolt Head Diameter.
FEATURES: 6" (152mm) length. Sharply defined edge and recess. Smooth working action with automatic holding spring for both retracted and projected positions.
PACKED: Individually poly-bagged with screws and strike.

0742, 0781, 0782 Costume Hook



Item #	Description	Wt.	003, 031, 033 044, 102, 112, 140 150, 190, 260
0742.xxx	Costume Hook, 5.375" (137mm) h. x 3.5" (89mm) p.	0.5	\$41

HEIGHT: 2.25" (57mm)
PROJECTION: 3" (76mm)
FEDERAL SPECIFICATION EQUIVALENTS: Government Type: 1172
BHMA DESIGNATION: LO3111

4416 Octagonal Knob



ITEM #	DESCRIPTION	003, 031, 044, 055 112, 150, 190, 260
4416.xxx.bin	Octagonal Knob – 1.5" d. x 1.14" p.	\$32

PACKED: In individual poly bags and protective cartons with .75" long truss head screws.
 All bags are coded with product number, description & UPC code.

4417, 4418, 4419, 4420 Octagonal Pull



4417



4418



4419

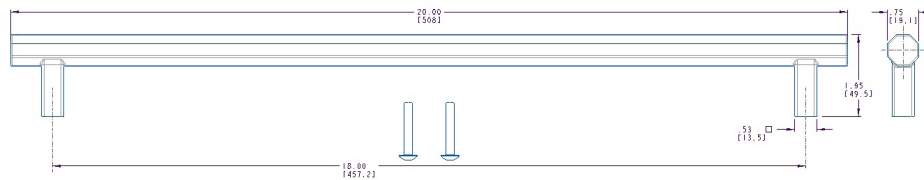


4420

ITEM #	DESCRIPTION	003, 031, 044, 055 112, 150, 190, 260
4417.xxx.bin	Octagonal Pull – 4" CTC x 1.24" p.	\$40
4418.xxx.bin	Octagonal Pull – 6" CTC x 1.24" p.	\$48
4419.xxx	Octagonal Pull - 12" CTC x 1.24" p.	\$180
4420.xxx	Octagonal Appliance Pull - 18" CTC	\$275

NOTE: 4" and 6" Pulls use 8-32 x 1" screws and mount on .75" thick doors/cabinets.
 12" and 18" Pulls use 10-24 X 1.3" screws and mount on doors between .75" to 1" thick.

PACKED: All bags are coded with product number, description and UPC code.
 12" and 18" Pulls ship one pull and screw pack in a box, and coded with product number, description and UPC code.



4420 (18")

4425 Rectangle Raised Knob



ITEM #	DESCRIPTION	003, 031, 044, 055 112, 150, 190, 260
4425.xxx.bin	Raised Knob – 1.5" d. x 1.1" p.	\$32

PACKED: In individual poly bags and protective cartons with .75" long truss head screws.
All bags are coded with product number, description & UPC code.

4426, 4427, 4428, 4429 Raised Pull

4426



4427



4428



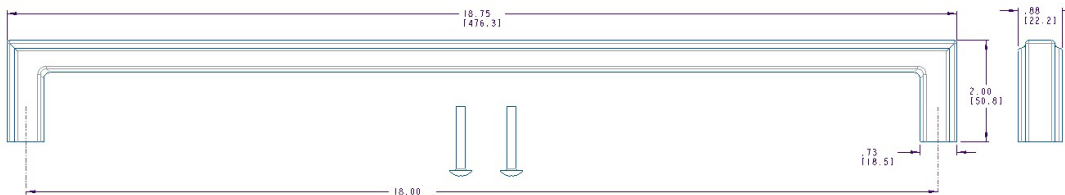
4429



ITEM #	DESCRIPTION	003, 031, 044, 055 112, 150, 190, 260
4426.xxx.bin	Raised Pull – 4" CTC x 1.38" p.	\$40
4427.xxx.bin	Raised Pull – 6" CTC x 1.38" p.	\$48
4428.xxx	Raised Pull - 12" CTC x 1.38" p.	\$180
4429.xxx	Raised Appliance Pull - 18" CTC	\$275

NOTE: 4" and 6" Pulls use 8-32 x 1" screws and mount on .75" thick doors/cabinets.
12" and 18" Pulls use 10-24 X 1.3" screws and mount on doors between .75" to 1" thick.

PACKED: All bags are coded with product number, description and UPC code.
12" and 18" Pulls ship one pull and screw pack in a box, and coded with product number, description and UPC code.



4429 (18 INCH)

4410, 4411 Bevel Knob

ITEM #	DESCRIPTION	031, 044, 055 112, 150, 190, 260
4410.xxx.bin	Bevel Knob – 1.25" d. x 1" p.	\$24
4411.xxx.bin	Bevel Knob – 1.5" d. x 1" p.	\$32

4410



4411



NOTE: All knobs use 8-32 x 1" screws and mount on .75" thick doors/cabinets.
PACKED: All bags are coded with product number, description and UPC code.

4412, 4413, 4414, 4415 Bevel Pull

ITEM #	DESCRIPTION	031, 044, 055 112, 150, 190, 260
4412.xxx.bin	Bevel Pull – 4" CTC x 1.35" p.	\$40
4413.xxx.bin	Bevel Pull – 6" CTC x 1.35" p.	\$48
4414.xxx	Bevel Pull - 12" CTC x 1.35" p.	\$180
4415.xxx	Bevel Appliance Pull - 18" CTC	\$275

4412



4413



4414

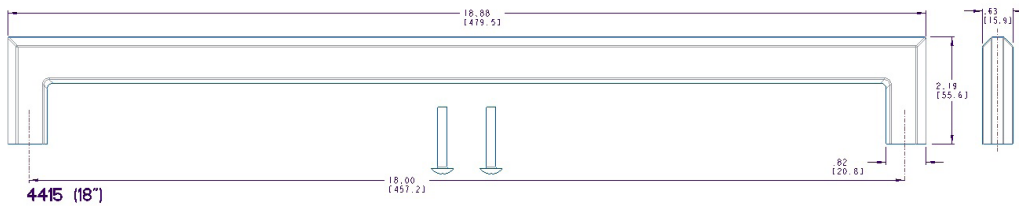


4415



NOTE: 4" and 6" Pulls use 8-32 x 1" screws and mount on .75" thick doors/cabinets.
 12" and 18" Pulls use 10-24 X 1.3" screws and mount on doors between .75" to 1" thick.

PACKED: All bags are coded with product number, description and UPC code.
 12" and 18" Pulls ship one pull and screw pack in a box, and coded with product number, description and UPC code.



4404, 4405 Contemporary Knob

ITEM #	DESCRIPTION	031, 044, 055 112, 150, 190, 260
4404.xxx.bin	Contemporary Knob – 1.25" d. x 1.06" p.	\$24
4405.xxx.bin	Contemporary Knob – 1.5" d. x 1.06" p.	\$32

PACKED: In individual poly bags and protective cartons with .75" long truss head screws.
 All bags are coded with product number, description & UPC code.

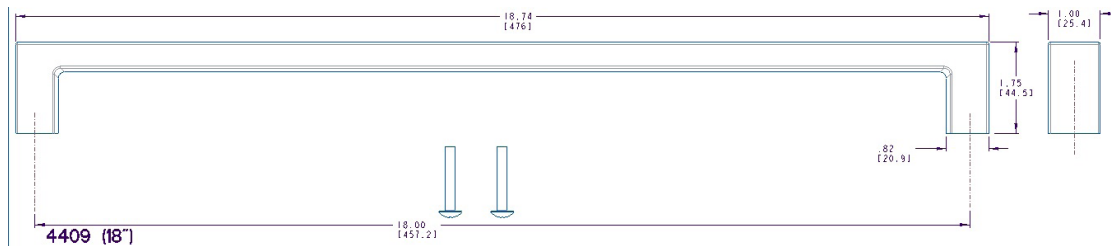


4406, 4407, 4408, 4409 Contemporary Pull

ITEM #	DESCRIPTION	031, 044, 055 112, 150, 190, 260
4406.xxx.bin	Contemporary Pull – 4" CTC x 1.25" p.	\$40
4407.xxx.bin	Contemporary Pull – 6" CTC x 1.25" p.	\$48
4408.xxx	Contemporary Pull - 12" CTC x 1.25" p.	\$180
4409.xxx	Contemporary Appliance Pull - 18" CTC	\$275

NOTE: 4" and 6" Pulls use 8-32 x 1" screws and mount on .75" thick doors/cabinets.
 12" and 18" Pulls use 10-24 x 1.3" screws and mount on doors between .75" to 1" thick.

PACKED: All bags are coded with product number, description and UPC code.
 12" and 18" Pulls ship one pull and screw pack in a box, and coded with product number, description and UPC code.



4430 Gramercy Knob



ITEM #	DESCRIPTION	031, 044, 055 112, 150, 190, 260
4430.xxx.bin	Gramercy Knob – 1.5" d.	\$32

NOTE: Knob comes with optional base plate to sit below knob base to best protect soft wood cabinets. All knobs use 8-32 x 1" screws and mount on .75" thick doors/cabinets.

PACKED: All bags are coded with product number, description and UPC code.



Shown with optional base plate.

4431, 4432, 4433, 4434 Gramercy Pull

ITEM #	DESCRIPTION	031, 044, 055 112, 150, 190, 260
4431.xxx.bin	Gramercy Pull – 4" CTC x 1.34" p.	\$40
4432.xxx.bin	Gramercy Pull – 6" CTC x 1.34" p.	\$48
4433.xxx	Gramercy Pull - 12" CTC x 1.34" p.	\$180
4434.xxx	Gramercy Appliance Pull - 18" CTC	\$275

NOTE: 4" and 6" Pulls use 8-32 x 1" screws and mount on .75" thick doors/cabinets.
 12" and 18" Pulls use 10-24 x 1.3" screws and mount on doors between .75" to 1" thick.
 Pulls come with optional base plates to sit beneath the pull legs.
 This is not required and is included for an optional design aesthetic.

PACKED: All bags are coded with product number, description and UPC code.
 12" and 18" Pulls ship one pull and screw pack in a box, and coded with product number, description and UPC code.

4431



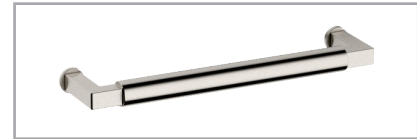
4432



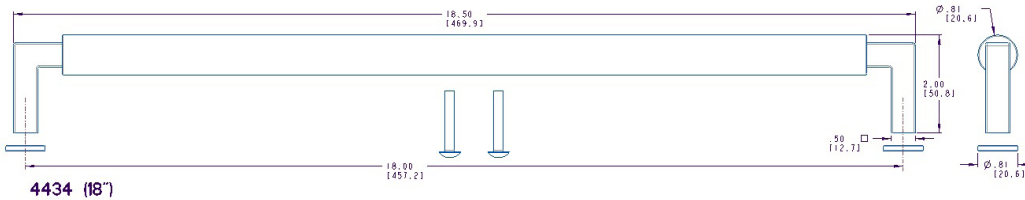
4433



4434



Shown with optional base plates.



4970 Palm Springs Knob



ITEM #	DESCRIPTION	003, 031, 044, 055 112, 150, 190, 260
4970.xxx.bin	Palm Springs Knob – 1.5" d. x .65" x 1.145"p.	\$29

PACKED: In individual poly bags and protective cartons with .75" long truss head screws.
 All bags are coded with product number, description & UPC code.

4971, 4976, 4957, 4958 Palm Springs Pulls

4971



4976



4957



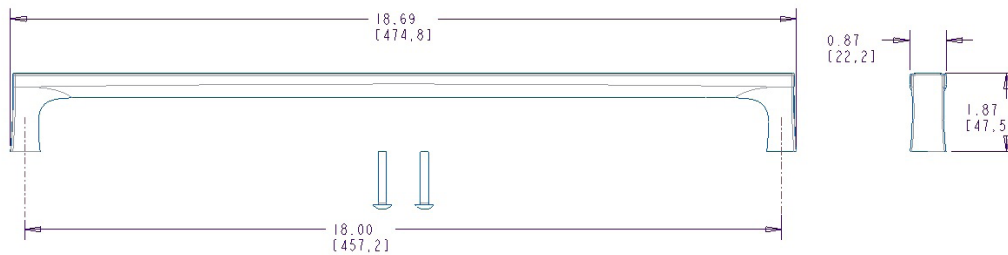
4958



ITEM #	DESCRIPTION	003, 031, 044, 055 112, 150, 190, 260
4971.xxx.bin	Palm Springs Pull – 4" CTC x 1.145"p.	\$40
4976.xxx.bin	Palm Springs Pull – 6" CTC x 1.145"p.	\$48
4957.xxx	Palm Springs Pull - 12" CTC	\$180
4958.xxx	Palm Springs Appliance Pull - 18" CTC	\$275

NOTE: 4" and 6" Pulls use 8-32 x 1" screws and mount on .75" thick doors/cabinets.
 12" and 18" Pulls use 10-24 x 1.3" screws and mount on doors between .75" to 1" thick.

PACKED: All bags are coded with product number, description and UPC code.
 12" and 18" Pulls ship one pull and screw pack in a box, and coded with product number, description and UPC code.



4972, 4973 Hollywood Hills Knob

4972



4973



ITEM #	DESCRIPTION	003, 031, 044, 055 112, 150, 190, 260
4972.xxx.bin	Hollywood Hills Knob - 1.25" d.	\$24
4973.xxx.bin	Hollywood Hills Knob - 1.5" d. x 1.125" p	\$32

PACKED: In individual poly bags and protective cartons with .75" long truss head screws. All boxes are coded with product number, description & UPC code.

4400, 4486, 4955, 4956 Hollywood Hills Pulls

4400



4486



4955



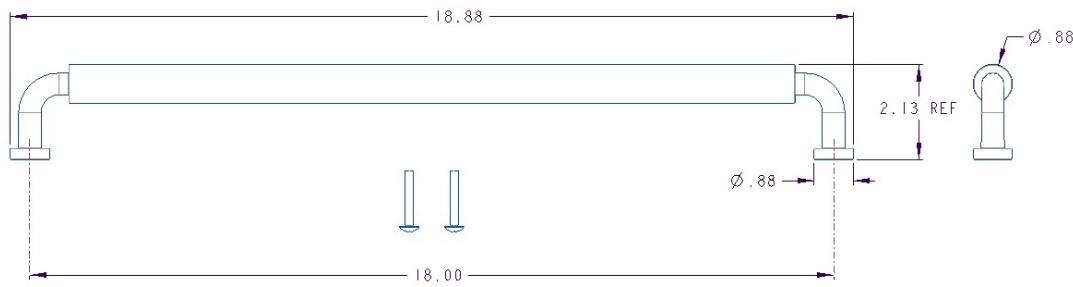
4956



ITEM #	DESCRIPTION	003, 031, 044, 055 112, 150, 190, 260
4400.xxx.bin	Hollywood Hills Pull - 4" CTC x 1.25" p	\$40
4486.xxx.bin	Hollywood Hills Pull - 6" CTC x 1.25" p	\$48
4955.xxx	Hollywood Hills Pull - 12" CTC x 1.25" p.	\$180
4956.xxx	Hollywood Hills Appliance Pull - 18" CTC	\$275

NOTE: 4" and 6" Pulls use 8-32 x 1" screws and mount on .75" thick doors/cabinets. 12" and 18" Pulls use 10-24 x 1.3" screws and mount on doors between .75" to 1" thick.

PACKED: All bags are coded with product number, description and UPC code. 12" and 18" Pulls ship one pull and screw pack in a box, and coded with product number, description and UPC code.



4956 (18")

4452, 4453 Severin Fayerman Collection A Knob



ITEM #	DESCRIPTION	003, 031, 044, 055 112, 150, 190, 260
4452.xxx.bin	Severin A Knob - 1" d.	\$24
4453.xxx.bin	Severin A Knob - 1.25" d. x 1.13"p.	\$29

PACKED: In individual poly bags and protective cartons with .75" long truss head screws.
All bags are coded with product number, description & UPC code.

4357, 4947, 4359, 4360
Severin Fayerman Collection A Pulls

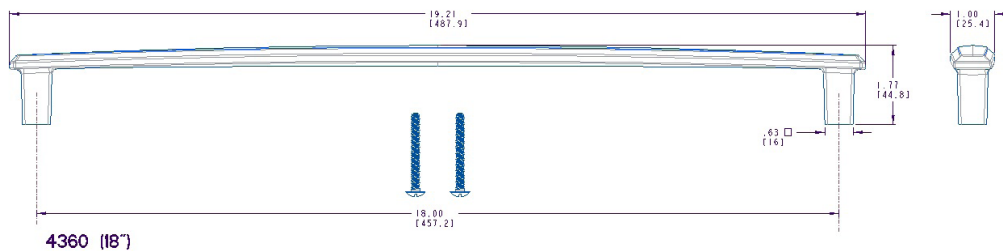


ITEM #	DESCRIPTION	003, 031, 044, 055 112, 150, 190, 260
4357.xxx.bin	Severin A Pull - 4" CTC x 1.3" p.	\$40
4947.xxx.bin	Severin A Pull - 6" CTC x 1.3" p.	\$48
4359.xxx.bin	Severin A Pull - 12" CTC x 1.3" p.	\$180
4360.xxx.bin	Severin A Appliance Pull - 18" CTC	\$275

NOTE: 4" and 6" Pulls use 8-32 x 1" screws and mount on .75" thick doors/cabinets.
12" and 18" Pulls use 10-24 x 1.3" screws and mount on doors between .75" to 1" thick.

PACKED: All bags are coded with product number, description and UPC code.
12" and 18" Pulls ship one pull and screw pack in a box, and coded with product number, description and UPC code.

Dimensions	Mount CTC	Face Width
4359	12"	13.21"
4360	18"	19.21"



MODERN KNOBS AND EDGE PULLS

4623 Modern Knob



ITEM #	DESCRIPTION	031, 044, 055 112, 150, 190, 260
4623.xxx.bin	Modern Knob – 1.5”d. x 1.07” p.	\$32

NOTE: Knobs use 8-32 x 1” screws and mount on .75” thick doors/cabinets.

PACKED: All boxes are coded with product number, description and UPC code.

4624, 4625 Modern Pull

4624



4625



ITEM #	DESCRIPTION	031, 044, 055 112, 150, 190, 260
4624.xxx.bin	Modern Pull – 4” CTC x 1.07” p.	\$40
4625.xxx.bin	Modern Pull – 6” CTC x 1.07” p.	\$48

NOTE: Pulls use 8-32 x 1” screws and mount on .75” thick doors/cabinets. The 4624 Pull can accommodate a pre-drilled 3”, 3.5” and 4” CTC widths.

PACKED: All boxes are coded with product number, description and UPC code.

4620, 4621, 4622 Edge Pull

4620



4621



4622



ITEM #	DESCRIPTION	003, 044, 055 112, 150, 190, 260
4620.xxx.bin	Edge Pull – 2” CTC x 1.125” p.	\$29
4621.xxx.bin	Edge Pull – 4” CTC x 1.125” p.	\$40
4622.xxx.bin	Edge Pull – 6” CTC x 1.125” p.	\$48

NOTE: Pulls use 8-32 x 1” screws and mount on .75” thick doors/cabinets.

PACKED: All boxes are coded with product number, description and UPC code.

4402, 4403 Tulip Knob

4402



4403



ITEM #	DESCRIPTION	003, 031, 044, 055 112, 150, 190, 260
4402.xxx.bin	Tulip Knob - 1.25"d. x 1.2" p.	\$24
4403.xxx.bin	Tulip Knob - 1.5"d. x 1.2" p.	\$32

NOTE: All knobs use 8-32 x 1" screws and mount on .75" thick doors/cabinets.

PACKED: All bags are coded with product number, description and UPC code.

4454, 4456 Severin Fayerman Collection Knob

4452



4456



ITEM #	DESCRIPTION	003, 031, 044, 055 112, 150, 190, 260
4454.xxx.bin	Severin C Knob - 1"d.	\$24
4456.xxx.bin	Severin C Knob - 1.32"d. x 1.24"p.	\$32

NOTE: All knobs use 8-32 x 1" screws and mount on .75" thick doors/cabinets.

PACKED: All bags are coded with product number, description and UPC code.

4490, 4491 Dominion Knob

4490
4491



ITEM #	DESCRIPTION	003, 031, 044, 055 112, 150, 190, 260
4490.xxx.bin	Dominion Knob - 1"d. x 1.0"p.	\$20
4491.xxx.bin	Dominion Knob - 1.25"d. x 1.0"p.	\$22

NOTE: All knobs use 8-32 x 1" screws and mount on .75" thick doors/cabinets.

PACKED: All bags are coded with product number, description and UPC code.

4704, 4706 Classic Knob

4704
4706



ITEM #	DESCRIPTION	003, 031, 044, 055 112, 150, 190, 260
4704.xxx.bin	Classic Knob - 1"d. x .937"p.	\$20
4706.xxx.bin	Classic Knob - 1.25"d. x 1.157"p.	\$22

NOTE: Knobs use 8-32 x 1" screws and mount on .75" thick doors/cabinets.

PACKED: All bags are coded with product number, description and UPC code.

4910, 4913 Oval Knob

4910
4913



ITEM #	DESCRIPTION	003, 031, 044, 055 112, 150, 190, 260
4910.xxx.bin	Oval Knob - 1.125"d. x .75" x 1.1"p.	\$20
4913.xxx.bin	Oval Knob - 1.312"d. x 1" x 1.4"p.	\$22

NOTE: Knobs use 8-32 x 1" screws and mount on .75" thick doors/cabinets.

PACKED: All bags are coded with product number, description and UPC code. 5/8" diameter at base

4960, 4961 Spherical Knob

4960
4961



ITEM #	DESCRIPTION	030, 055, 102 112, 150, 260
4960.xxx.bin	Spherical Knob - 1"d. x 1.312"p.	\$20
4961.xxx.bin	Spherical Knob - 1.25"d. x 1.562"p.	\$22

NOTE: Knobs use 8-32 x 1" screws and mount on .75" thick doors/cabinets.

PACKED: All bags are coded with product number, description and UPC code.

CABINET KNOBS
CUP PULLS AND PULLS

4421, 4422 Transitional Cup Pull



Item #	Description	003, 031, 044, 055 112, 150, 190, 260
4421.xxx.bin	Transitional Cup Pull – 4" CTC	\$55
4422.xxx.bin	Transitional Cup Pull – 6" CTC	\$72

NOTE: All knobs use 8-32 x 1" screws and mount on .75" thick doors/cabinets.

PACKED: All boxes are coded with product number, description and UPC code.

4424 Cup Pull



ITEM #	DESCRIPTION	003, 031, 044, 055 112, 150, 190, 260
4424.xxx.bin	Cup Pull – 4" CTC x 1.2" p.	\$33

NOTE: Pulls use 8-32 x 1" screws and mount on .75" thick doors/cabinets.

PACKED: All bags are coded with product number, description and UPC code.

4480, 4401 Oval Pull



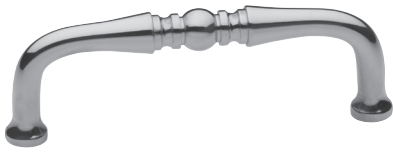
ITEM #	DESCRIPTION	003, 031, 044, 055 112, 150, 190, 260
4480.xxx.bin	Oval Pull – 4" CTC	\$29
4401.xxx.bin	Oval Pull – 6" CTC	\$34

NOTE: Pulls use 8-32 x 1" screws and mount on .75" thick doors/cabinets.

PACKED: All bags are coded with product number, description and UPC code.

4964, 4946 Colonial Pull

4964



4946



ITEM #	DESCRIPTION	003, 031, 044, 055 112, 150, 190, 260
4964.xxx.bin	Colonial Pull - 4" CTC	\$37
4946.xxx.bin	Colonial Pull - 6" CTC	\$48

NOTE: Pulls use 8-32 x 1" screws and mount on .75" thick doors/cabinets.

PACKED: All bags are coded with product number, description and UPC code.

4362, 4364, 4365, 4395
Severin Fayerman Collection B Pulls

4362



4395



4364



4365



ITEM #	DESCRIPTION	003, 031, 044, 055 112, 150, 190, 260
4362.xxx.bin	Severin B Pull - 4" CTC	\$36
4395.xxx.bin	Severin B Pull - 6" CTC	\$40
4364.xxx	Severin B Pull - 12" CTC	\$150
4365.xxx	Severin B Appliance Pull - 18" CTC	\$220

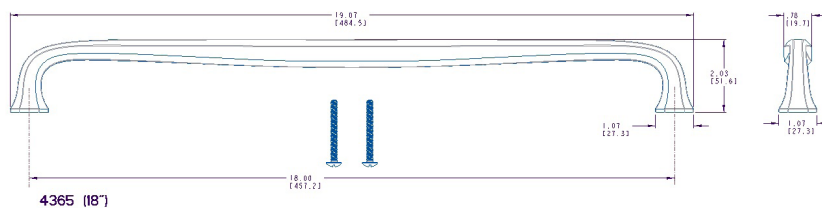
NOTE: 4" and 6" Pulls use 8-32 x 1" screws and mount on .75" thick doors/cabinets.

12" and 18" Pulls use 10-24 x 1.3" screws and mount on doors between .75" to 1" thick.

PACKED: All bags are coded with product number, description and UPC code.

12" and 18" Pulls ship one pull and screw pack in a box, and coded with product number, description and UPC code.

Dimensions	Mount CTC	Face Width	Face Height
4364	12"	12.9"	0.9"
4365	18"	19.1"	1.07"



CABINET KNOBS
BACK PLATES

4926, 4927 Contemporary Back Plate



ITEM #	DESCRIPTION	003, 031, 044, 055 112, 150, 190, 260
4926.xxx.bin	Cont. Back Plate – 4" CTC	\$20
4927.xxx.bin	Cont. Back Plate – 6" CTC	\$24

NOTE: Pair with any 4" or 6" CTC pull.

PACKED: All bags are coded with product number, description and UPC code.

4940, 4941 Transitional Back Plate



ITEM #	DESCRIPTION	003, 031, 044, 055 112, 150, 190, 260
4940.xxx.bin	Trans. Back Plate – 4" CTC	\$20
4941.xxx.bin	Trans. Back Plate – 6" CTC	\$24

NOTE: Pair with any 4" or 6" CTC pull.

PACKED: All bags are coded with product number, description and UPC code.

4902 Knob Back Plate



Item #	Description	003, 031, 044, 055 112, 150, 190, 260
4902.xxx.bin	Knob Back Plate – 1.5" d.	\$16

PACKED: In individual polybags. All bags are coded with product number, description and UPC code.

Passage & Privacy Latches



PASSAGE LATCHES				003, 031, 033, 044 050, 055, 056, 060, 076 102, 112, 190, 260
ITEM #	DESCRIPTION	BACKSET	FACEPLATE	
5510.xxx (FLS)	Knob-Strength Passage latch	2.375"	1" w	
5513.xxx (FLS)	Lever-Strength Passage latch	2.375"	1" w	
5520.xxx (FLS)	Knob-Strength Passage latch	2.75"	1" w	\$82
5523.xxx (FLS)	Lever-Strength Passage latch	2.75"	1" w	

PRIVACY LATCHES				003, 031, 033, 044 050, 055, 056, 060, 076 102, 112, 190, 260
ITEM #	DESCRIPTION	BACKSET	FACEPLATE	
5510.xxx.P (FLS)	Knob-Strength Privacy latch	2.375"	1" w	
5513.xxx.P (FLS)	Lever-Strength Privacy latch	2.375"	1" w	
5520.xxx.P (FLS)	Knob-Strength Privacy latch	2.75"	1" w	\$82
5523.xxx.P (FLS)	Lever-Strength Privacy latch	2.75"	1" w	

**LATCHES NOT AVAILABLE IN DISTRESSED FINISHES,
NON-DISTRESSED EQUIVALENTS 402=102, 452=152**

*Latches with 1.125" wide faceplate commonly used for commercial applications

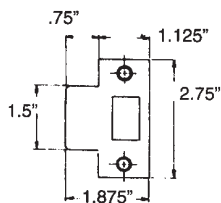
Latches available with Standard strike (no suffix) or Full Lip Strike (FLS)

Example: 5510.xxx = Standard strike

5510.xxx.FLS = Full Lip Strike

5510.TSTR – Standard Box Strike (T Strike)

Included with all Passage & Privacy Latches



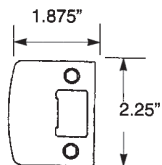
Item #	Description	003, 031, 033, 044 055, 056, 050, 060, 076 102, 112, 190, 260
5510.xxx.TSTR	Standard Box Strike (Included with all Passage & Privacy Latches)	\$22

LIP TO CENTER DIMENSION (LTC): 1.312" (33mm)

DUST BOX: furnished unattached (5510.000.TSTR)

TEMPLATE: metal frames to be prepared in accordance with ANSI standard A115.2

5300.EFLS – Extended full lip strike (ONLY SIZE AVAILABLE)



Item #	Description	003, 031, 033, 044, 050 055, 056, 060, 076, 102, 112, 190, 260, 402
5300.xxx.EFLS	Extended Full Lip Strike	\$22

For 2" (51mm) and 2.25" (57mm) thick doors or when trim condition necessitates a larger strike. Can also be used with Estate handlesets and interior sets

LTC: 1.375" (35mm)

MISCELLANEOUS PARTS

5399 – Thick Door Kits for New Mechanics

Item #	Adjustable Backset	Std. Box	Wt.	003, 031, 044 050, 055, 056 076, 102, 112 190, 260
5399.xxx.A	For all Sectional and Escutcheon Single Cylinder Entrance handlesets and all Evolved products to fit 2" & 2 1/4" thick door	1	0.3	\$66
5399.xxx.B	For all Sectional and Escutcheon Double Cylinder Entrance handlesets to fit 2" & 2 1/4" thick doors	1	0.4	\$66
5399.xxx.C	For all Emergency Egress function handlesets to fit 2" & 2 1/4" thick doors	1	0.3	\$66
5399.xxx.D	For all Full Dummy handle functions -- Sectional, Escutcheon and Emergency Egress to fit 2" & 2 1/4" thick doors	1	0.1	\$22

FEATRES: Each conversion kit includes tailpieces (if necessary), thru-bolts, strike plate, and instructions for modifying sets for use on doors either 2" (51mm) or 2 1/4" (57mm) in thickness. (Must specify finish)

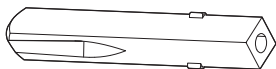
WEIGHT: 2.1 lbs. (.09kg)

5399 – Repair Door Kits for New Mechanics

Item #	Adjustable Backset	Std. Box	Wt.	003, 050 056, 076, 102 112, 190, 260
5399.xxx.G	For active Sectional and Escutcheon handlesets with Interior Knobs including Single Cylinder (ENTR) and Double Cylinder (DBLC) sets	1	1.1	\$66
5399.xxx.H	For active Sectional and Escutcheon handlesets with Interior Levers including Single Cylinder (LHRH) and Double Cylinder (LRDB) sets	1	1.3	\$66
5399.xxx.K	For Full Dummy (FD or LRFD) Sectional, Escutcheon, and Emergency Egress handlesets with a Traditional oval thumbpiece including Interior Knobs or Levers	1	0.7	\$51
5399.xxx.M	For active Emergency Egress handlesets (ENTR) with an oval egress cartridge, a Traditional oval thumbpiece, and an Interior Knob	1	2.0	\$66
5399.xxx.N	For active Emergency Egress handlesets (LENT or RENT) with a rectangular egress cartridge, a Traditional oval thumbpiece, and an Interior Lever	1	2.0	\$66

NOTE: All parts must be installed for proper lock function.

0530 – 0533 Broached Half Spindles – Front Door (Thumbpiece to Knob or Lever)



ITEM #	DESCRIPTION	SIZE	
0531.004	Broached half	2.875"	
0533.004	Broached half	2.25"	\$17
0539.004	Broached half	2.625"	

For mounting all current Estate knobs and levers to thumbpiece of handlesets. Included with all 'set' ordersde.

BALDWIN®

TO VIEW DIGITAL PRICE BOOK, SCAN HERE



19701 DA VINCI, LAKE FOREST, CALIFORNIA 92610

800.437.7448 · BALDWINHARDWARE.COM

BALDWIN, A DIVISION OF ASSA ABLOY AMERICAS RESIDENTIAL INC.

BALDWIN IS A TRADEMARK OF ASSA ABLOY AMERICAS RESIDENTIAL INC. ©2023 SPECTRUM BRANDS, INC. #1536673